



SICA



SICA



SICA

SICA



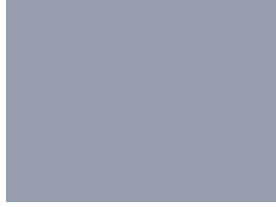
SICA



SICA



SICA



SICA



SICA

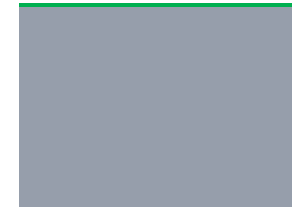
SICA



SICA



SICA



SICA



SICA



SICA

SICA

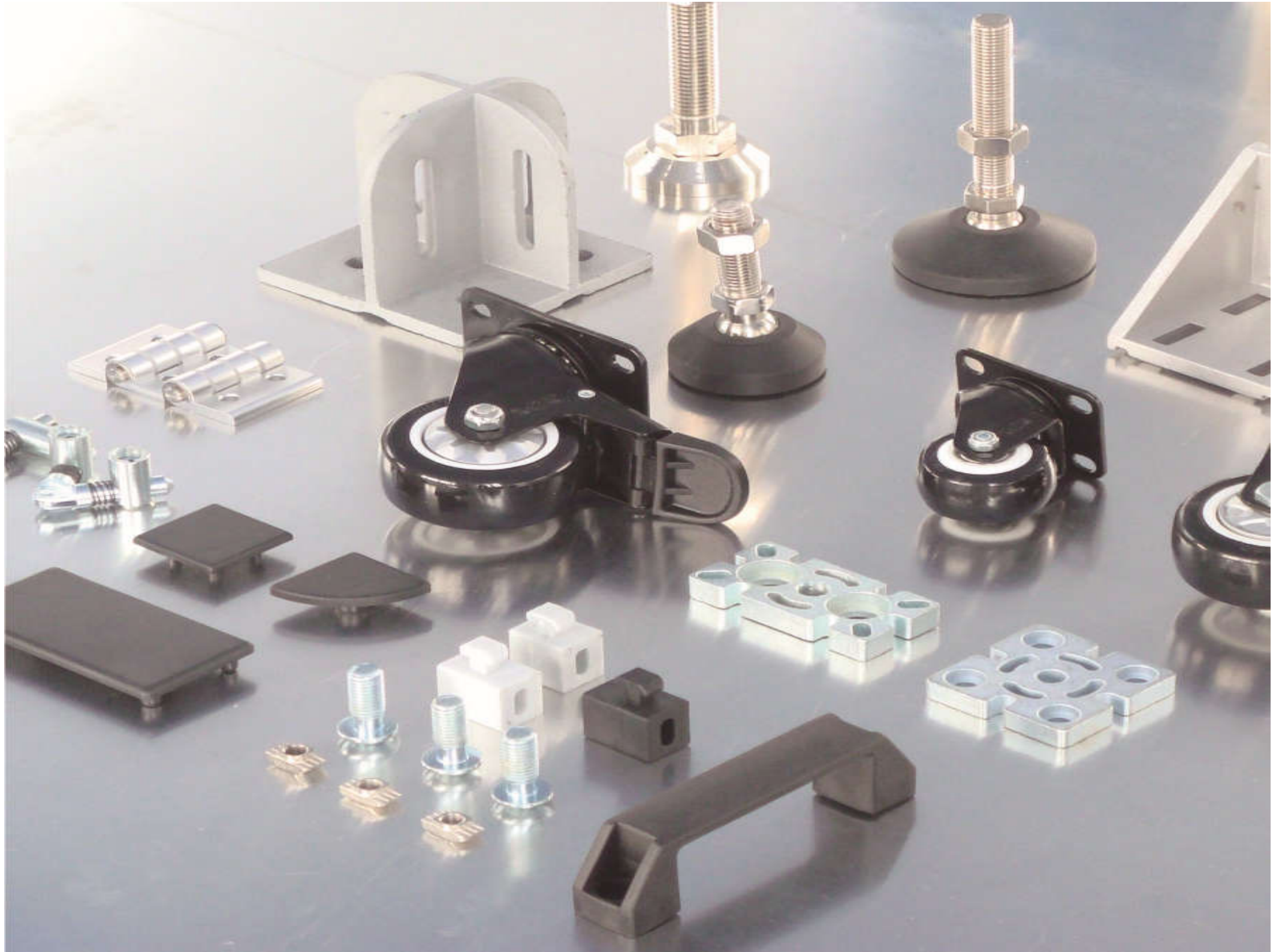


SICA



SICA

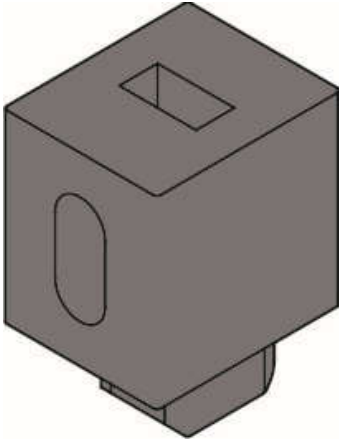




PANEL INSTALLATION ELEMENTS

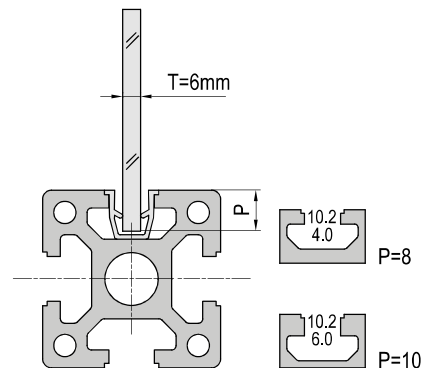
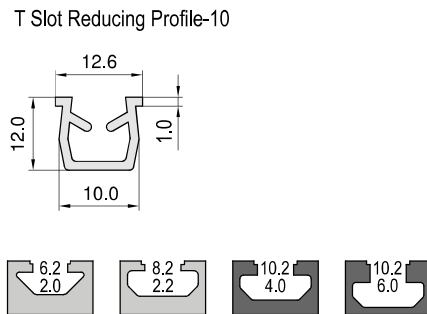
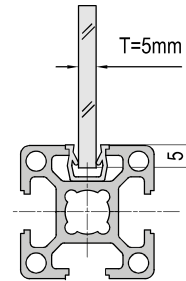
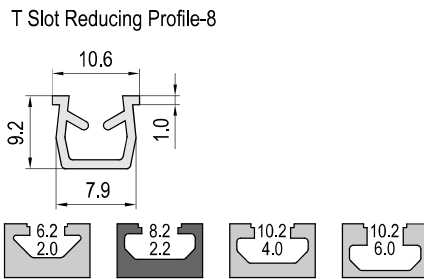
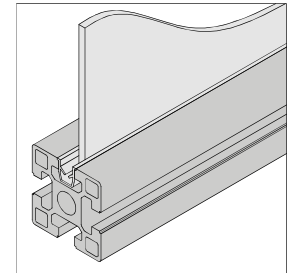
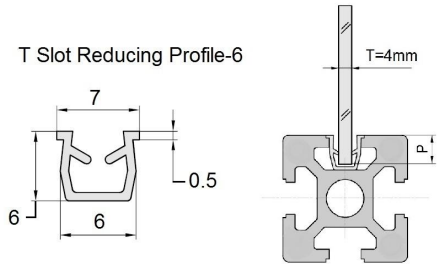


T slot reducing profile



Panel Mounting Block

T Slot Reducing Profile

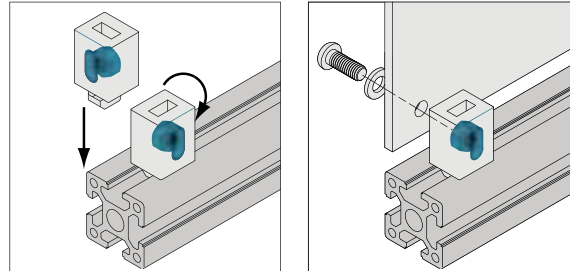


Description	Part No.
T Slot Reducing Profile 20 Group	06.TSRP.4
T Slot Reducing Profile 30 Group	08.TSRP.5
T Slot Reducing Profile 40 Group	10.TSRP.6

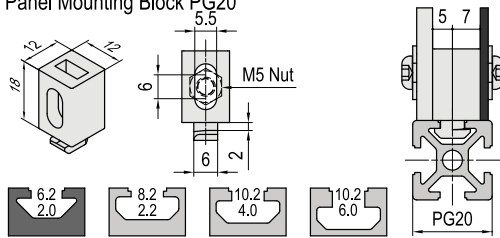
Panel Mounting Block

To attach panel to strut profile, choosing block attach face can get two different indent for various panel thickness.

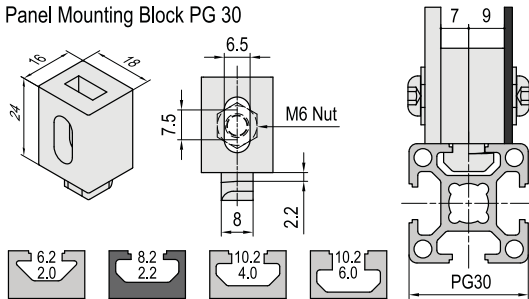
Material and Color : Block - black PP
Nut insert - zinc plated steel



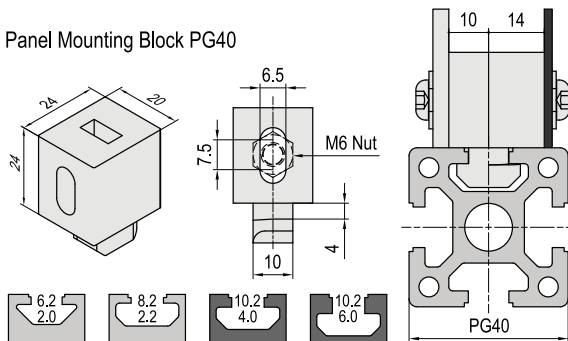
Panel Mounting Block PG20



Panel Mounting Block PG 30



Panel Mounting Block PG40



Description	Mass (g)	Part No.
Panel Mounting Block PG20	100	06.PMB.20
Panel Mounting Block PG 30	107	08.PMB.30
Panel Mounting Block PG40	111	10.PMB.40



SICA INDIA

Head Office :

H2, Globe Complex, Anjur Road, Ovli Village, Bhiwandi, Thane 421 302,
Maharashtra INDIA. Customer care : +91 809 704 8513

email : info@sica.in; Web : www.sica.in