



 SICA



 SICA



 SICA

 SICA



 SICA



 SICA



 SICA



 SICA



 SICA

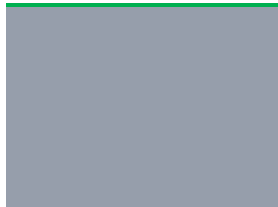
 SICA



 SICA



 SICA



 SICA



 SICA



 SICA

 SICA

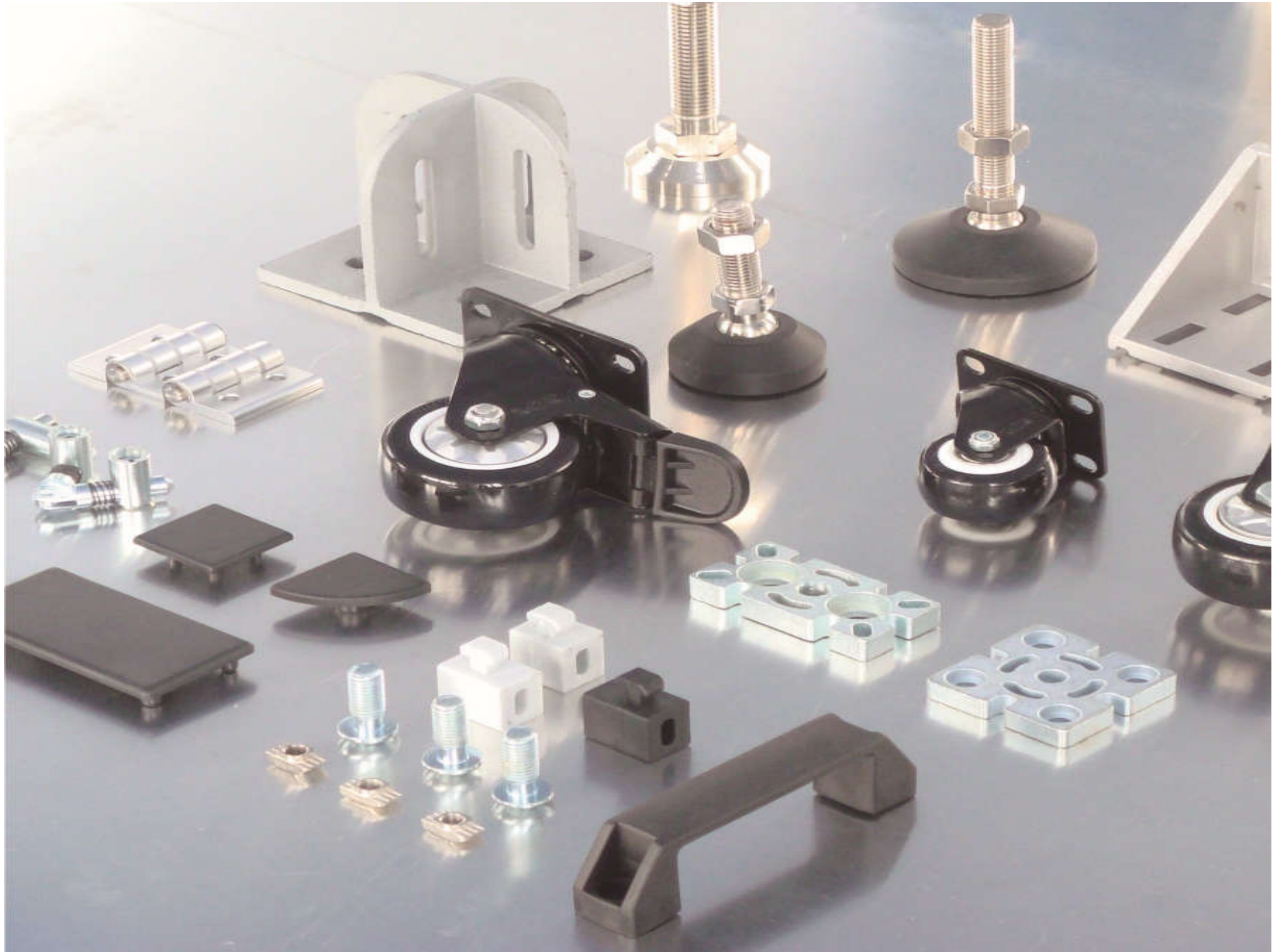


 SICA

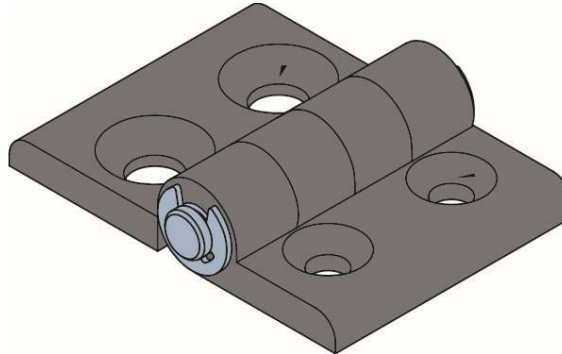


 SICA

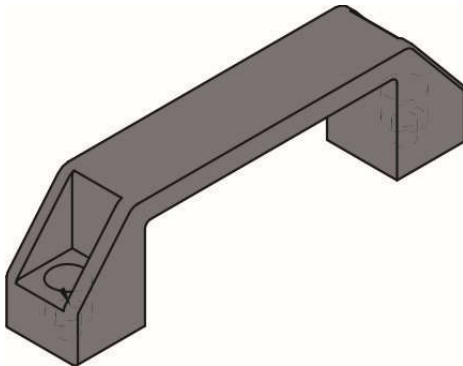




# DOOR AND WINDOW ELEMENTS



Hinge

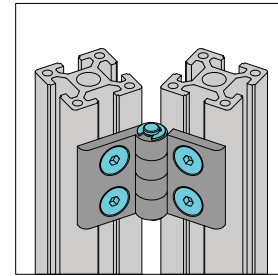


Handle

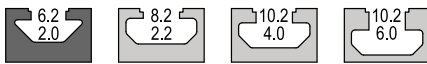
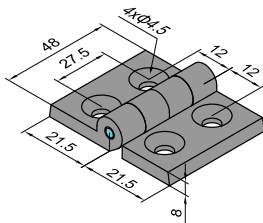
To open and close door or window.

Material and Color: PA6, black

### Hinge



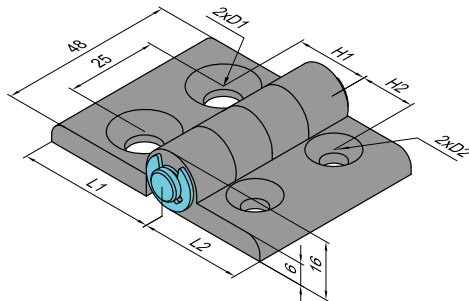
Hinge-PA6-20/20



**FE** Fastening Set

- M4x8 Bolt zinc plated
- M4 T-nut nickel plated

Description	Fastening Set	Mass (g)	Part No.
Hinge-20/20 (Unit)		29	HIN.2020.PA
Hinge-20/20	FE	29	HIN.2020.PA.Set



**FL** Fastening Set

- M6x12 Bolt zinc plated
- M6 T-nut nickel plated

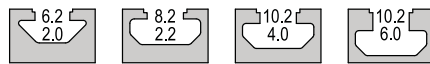
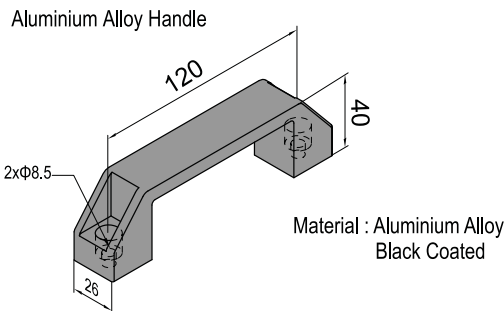
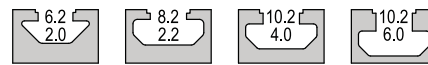
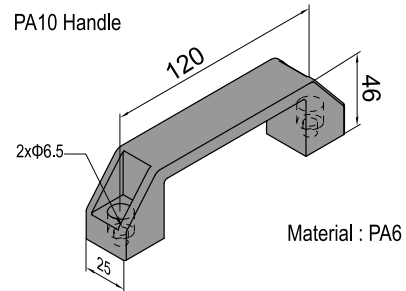
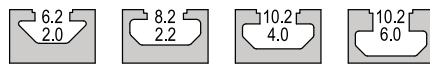
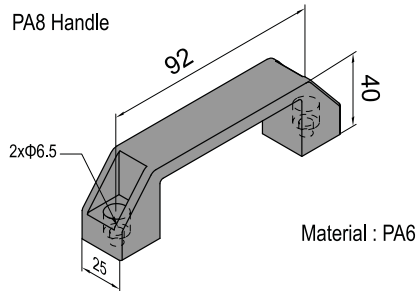
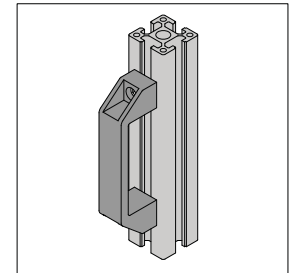
Description	H1(mm)	H2(mm)	L1(mm)	L2(mm)	D1(mm)	D2(mm)	Material	Fastening Set	Mass (g)	Part No.
Hinge-30/30 (unit)	15	15	28	28	Φ6.5	Φ6.5	PA6		39	HIN.3030.PA
Hinge-30/40 (unit)	20	15	38	28	Φ6.5	Φ6.5	PA6		42	HIN.3040.PA
Hinge-40/40 (unit)	20	20	38	38	Φ6.5	Φ6.5	PA6		45	HIN.4040.PA
Hinge-30/30 (unit)	15	15	28	28	Φ6.5	Φ6.5	Aluminium Alloy		69	HIN.3030.AA
Hinge-30/40 (unit)	20	15	38	28	Φ8.5	Φ6.5	Aluminium Alloy		74	HIN.3040.AA
Hinge-40/40 (unit)	20	20	38	38	Φ8.5	Φ8.5	Aluminium Alloy		81	HIN.4040.AA

Hinge-30/30 (unit)	15	15	28	28	Φ6.5	Φ6.5	PA6	4 FL	39	HIN.3030.PA.Set
Hinge-30/40 (unit)	20	15	38	28	Φ6.5	Φ6.5	PA6	4 FL	42	HIN.3040.PA.Set
Hinge-40/40 (unit)	20	20	38	38	Φ6.5	Φ6.5	PA6	4 FL	45	HIN.4040.PA.Set
Hinge-30/30 (unit)	15	15	28	28	Φ6.5	Φ6.5	Aluminium Alloy	4 FL	69	HIN.3030.AA.Set
Hinge-30/40 (unit)	20	15	38	28	Φ8.5	Φ6.5	Aluminium Alloy	4 FL	74	HIN.3040.AA.Set
Hinge-40/40 (unit)	20	20	38	38	Φ8.5	Φ8.5	Aluminium Alloy	4 FL	81	HIN.4040.AA.Set

HINGE

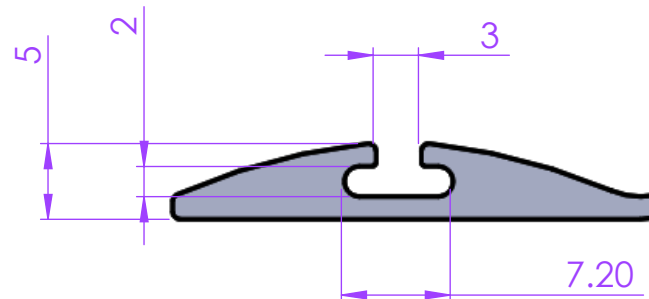
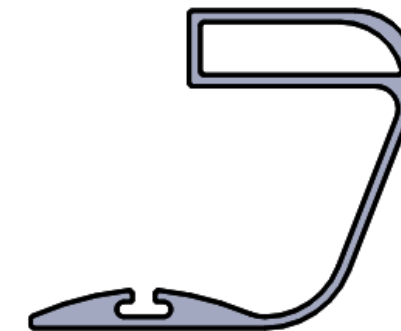
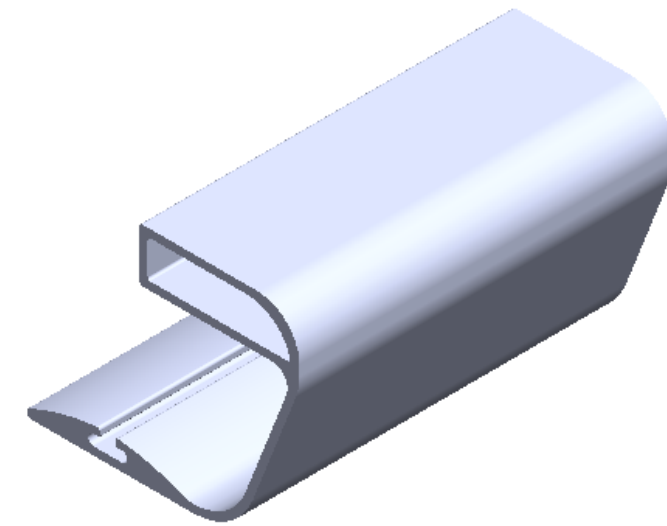
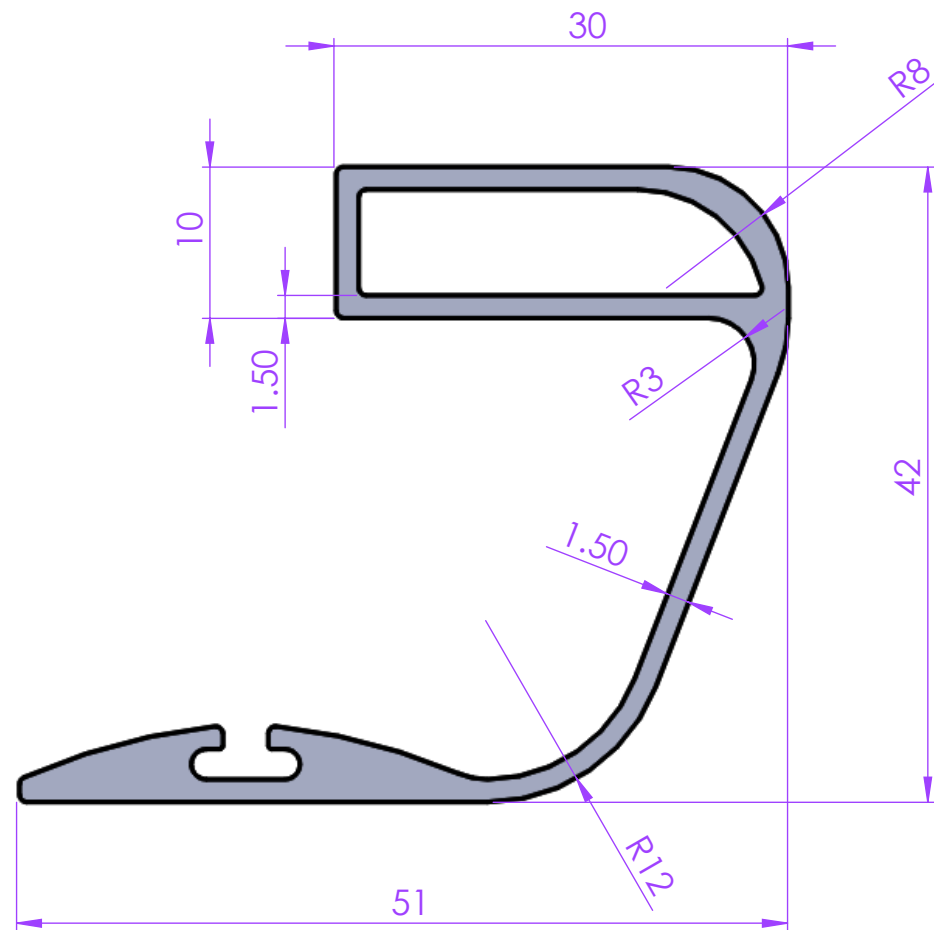
# Handle

To open and close door or window



Description	Mass (g)	Part No.
PA8 Handle	38	08.HE.92.PA
PA10 Handle	60	10.HE.120.PA
Aluminium Alloy Handle	81	10.HE.120.AA

<b>Profile Group -</b>	Handle
<b>Part Code -</b>	Handle PG3051
<b>Description -</b>	Handle PG3051



ALL DIMENSIONS ARE IN MM



**SICA INDIA**  
www.sica.in

DATE	22-02-2014
DRAWN BY	Praful
CHECKED BY	

<b>PART NAME</b>	Handle PG3051
<b>DRG. NO.</b>	2756
<b>MATERIAL</b>	ALUMINIUM ALLOY 6063 T6
<b>APPROX. WT.</b>	0.735 kg/mtr
<b>REVISION</b>	

<b>MODULAR ASSEMBLY SYSTEM</b>	<b>MODULAR CONVEYOR SYSTEM</b>	<b>ERGONOMIC WORKSTATION AND LEAN PRODUCTION SYSTEM</b>	<b>MACHINE GUARD AND ENCLOUSURE SYSTEM</b>	<b>LINEAR MOTION SYSTEM</b>	<b>CLEAN ROOM SYSTEM</b>
--------------------------------	--------------------------------	---	--	-----------------------------	--------------------------



## **SICA INDIA**

**Head Office :**

H2, Globe Complex, Anjur Road, Ovli Village, Bhiwandi, Thane 421 302,  
Maharashtra INDIA. Customer care : +91 809 704 8513

email : [info@sica.in](mailto:info@sica.in); Web : [www.sica.in](http://www.sica.in)