



 SICA



 SICA



 SICA

 SICA



 SICA



 SICA



 SICA



 SICA



 SICA

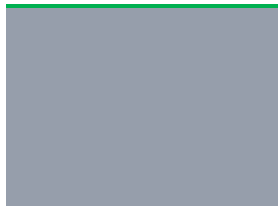
 SICA



 SICA



 SICA



 SICA



 SICA



 SICA

 SICA

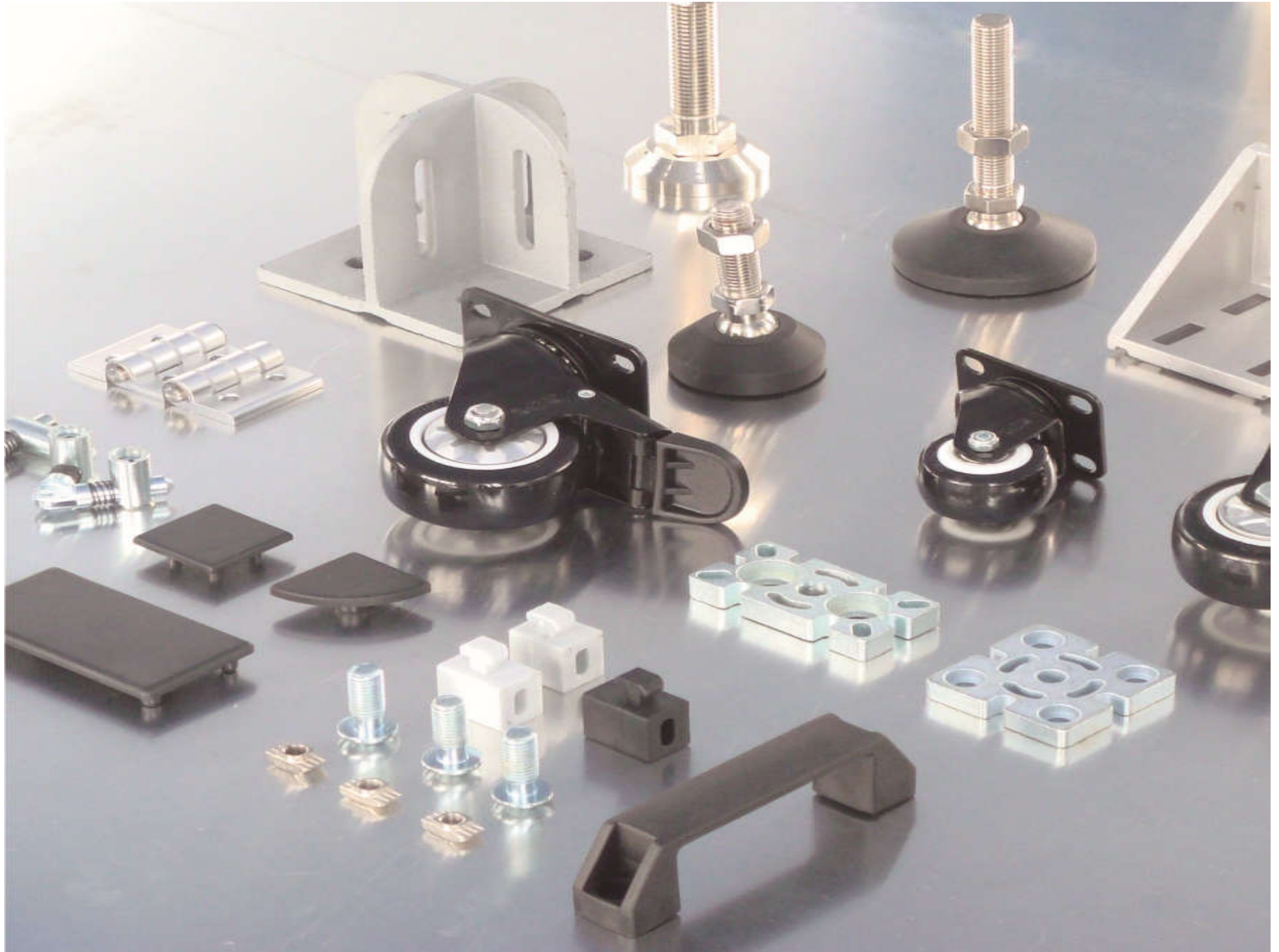


 SICA

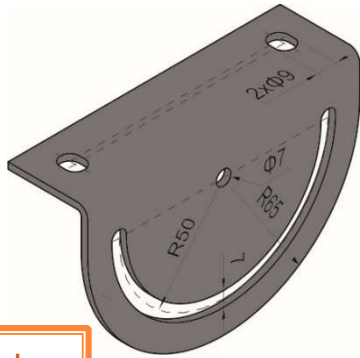


 SICA





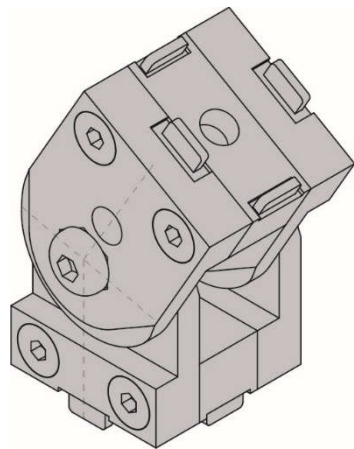
ADDITIONAL ACCESSORIES



Angle Adjustor



SUSPENDED GLIDER



Joint

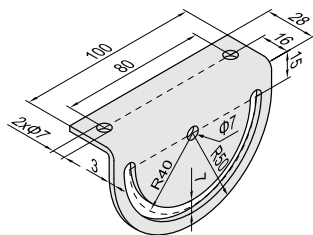
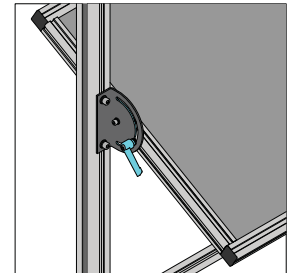
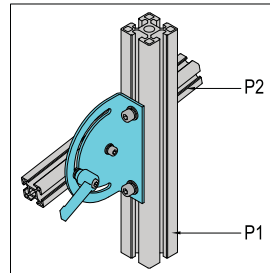
Angle Adjustor

Infinitely variable adjusting of inclination with swivel angle.

Material : steel, plastic powder coated

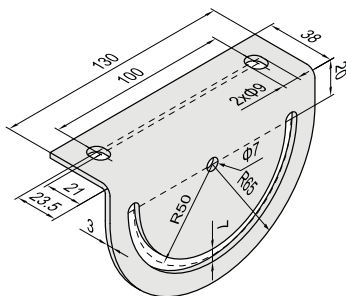
Color : black

Angle Adjustor PG30



Description	Mass (g)	Part No.
Angle Adjustor PG30	160	08.AAR

Angle Adjustor PG40



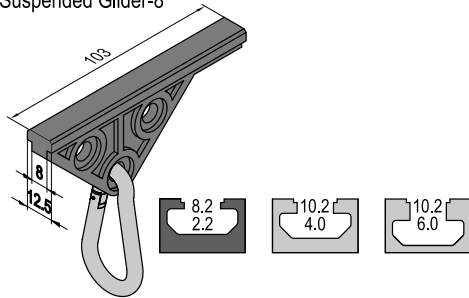
Description	Mass (g)	Part No.
Angle Adjustor PG40	288	10.AAR

Suspended Glider

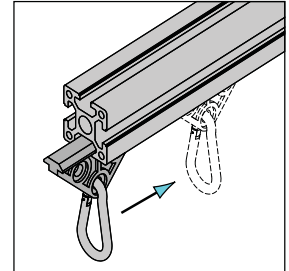
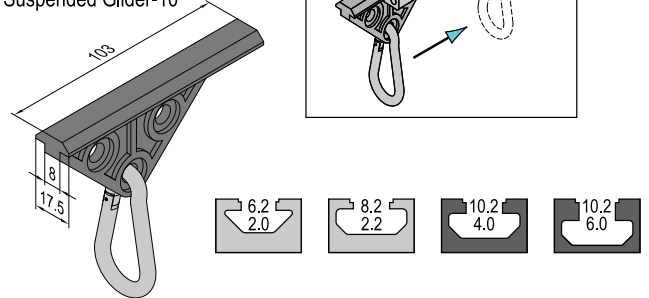
Element for tool suspension in profile slot.

Material and Color : glider - PA6+GF30, black
hook - zinc plated steel

Suspended Glider-8



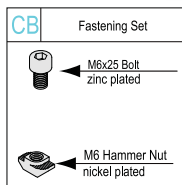
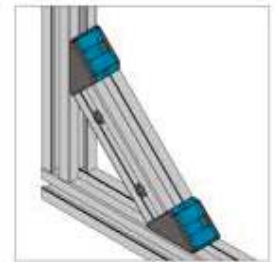
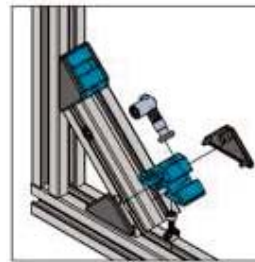
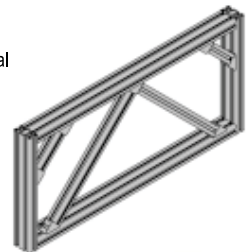
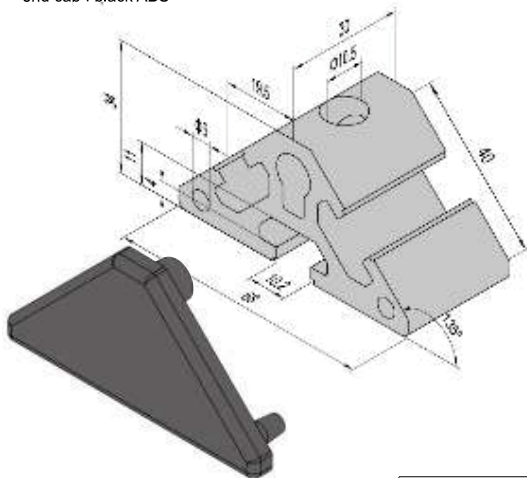
Suspended Glider-10



Description	Static Load (N)	Mass (g)	Part No.
Suspended Glider-8	200	48	8.sg
Suspended Glider-10	200	48	10.sg

Frame Joint

In the case of self-supporting lengths and dynamic alternating loads, bracing elements should be added due to the material combination of aluminium. These can be angle brackets, bracing plates and cross beams usually used in frameworks.
material: aluminium profile 6005-T5 clear anodized (cutting end not anodized)
end cap : black ABS

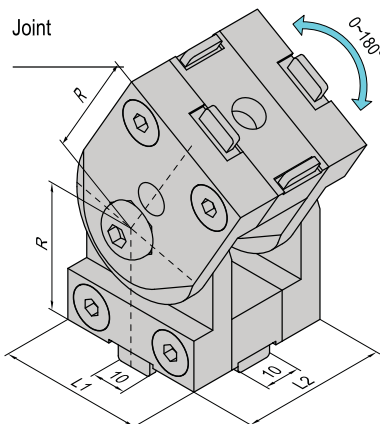
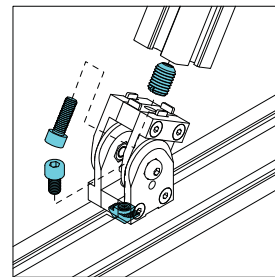
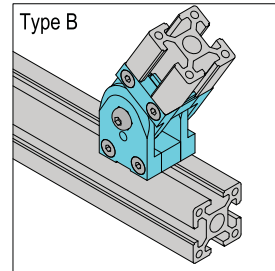
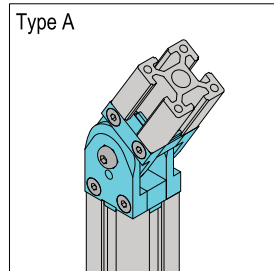


Description	Fastening Set	End Cap	Mass (g)	Part No.
Frame Joint (Set)	1xCB	2	95	10.fmj.4040

Joint

To attach electrical box or connect movable profiles.

Material and Color: zinc plated steel



Description	L1 (mm)	L2 (mm)	R (mm)	Fastening Set	Mass (g)	Part No.
Joint-Type A-4040	40	40	35		560	08.JT.4040
Joint-Type A-4080	80	40	35		950	10.JT.4080



SICA INDIA

Head Office :

H2, Globe Complex, Anjur Road, Ovli Village, Bhiwandi, Thane 421 302,
Maharashtra INDIA. Customer care : +91 809 704 8513

email : info@sica.in; Web : www.sica.in