

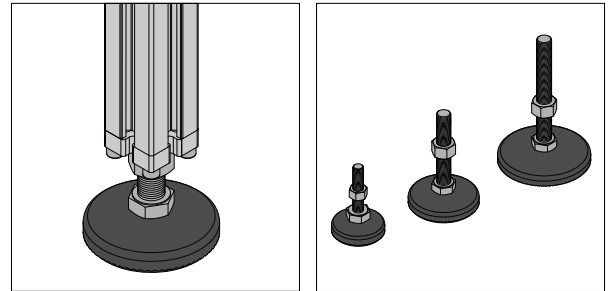
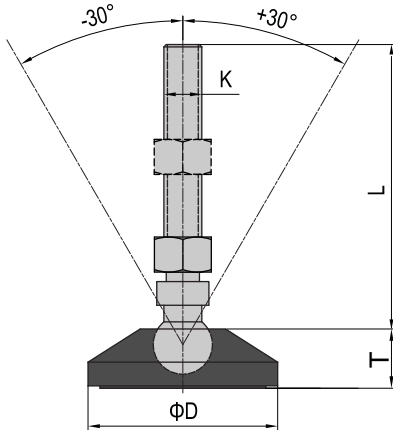
## Leveling Base

To support structure where gradual height adjustment is needed, the pivot foot has a small swiveling angle to fit slightly uneven floor. The connection between the pivot base and the spindle can be released with a tool.

Material and Color : Base - black PA6

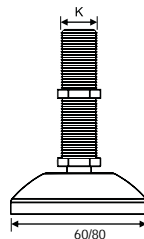
Spindle - zinc plated steel

Pad-black rubber



D(mm)	L(mm)	T(mm)	K(mm)	Part No.
φ60	68	25	8	LB60.0868.PA
φ60	100	25	8	LB60.08100.PA
φ60	68	25	10	LB60.1068.PA
φ60	100	25	10	LB60.10100.PA
φ60	68	25	12	LB60.1268.PA
φ60	100	25	12	LB60.12100.PA
φ60	68	25	16	LB60.1668.PA
φ60	100	25	16	LB60.16100.PA
φ80	68	25	8	LB80.0868.PA
φ80	100	25	8	LB80.08100.PA
φ80	68	25	10	LB80.1068.PA
φ80	100	25	10	LB80.10100.PA
φ80	68	25	12	LB80.1268.PA
φ80	100	25	12	LB80.12100.PA
φ80	68	25	16	LB80.1668.PA
φ80	100	25	16	LB80.16100.PA
φ100	68	50	8	LB100.0868.PA
φ100	100	50	8	LB100.08100.PA
φ100	68	50	10	LB100.1068.PA
φ100	100	50	10	LB100.10100.PA
φ100	68	50	12	LB100.1268.PA
φ100	100	50	12	LB100.12100.PA
φ100	68	50	16	LB100.1668.PA
φ100	100	50	16	LB100.16100.PA
φ100	68	50	16	LB100.1668.PA.SS
φ100	100	50	16	LB100.16100.PA.SS

φ60/80



φ100

