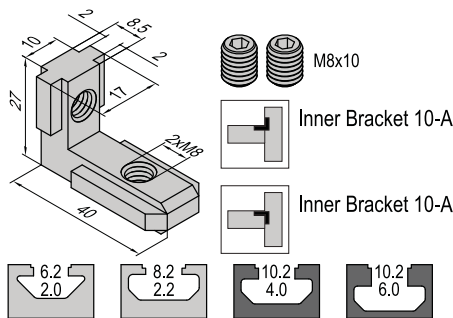
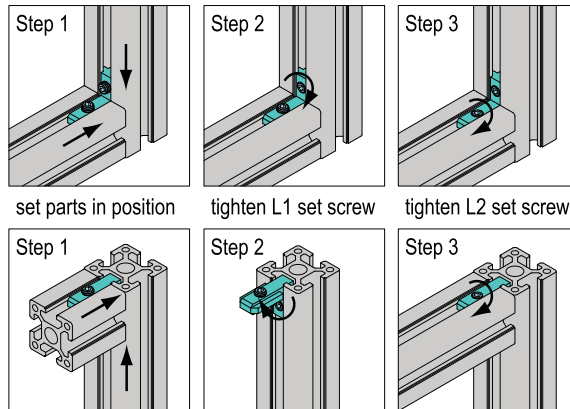
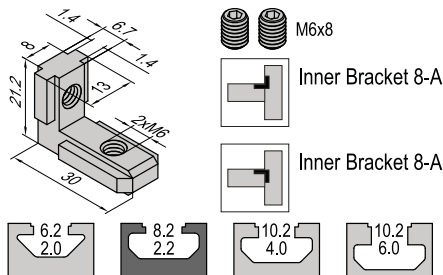
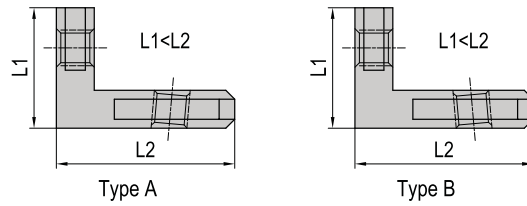
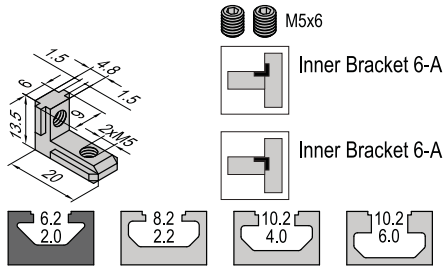
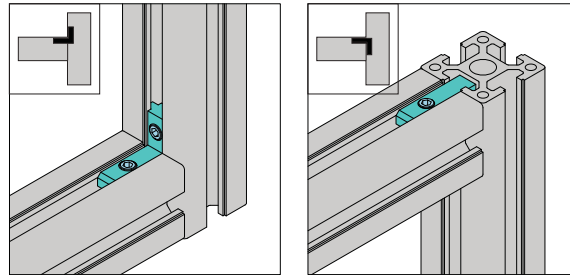


Inner Joint Angle

Inner Joint Angle (set screw pre-installed)
 Inner Joint Angle widely used to construct door / window and protective barrier frame due to its low cost high efficiency and good installation appearance.

Material : die cast zinc aluminium alloy for bracket and zinc plated steel for set screw.



Description	Mass (g)	Part No.
Inner Bracket 6-A (with set screw)	6	06.IJA
Inner Bracket 8-A (with set screw)	18	08.IJA
Inner Bracket 10-A (with set screw)	36	10.IJA