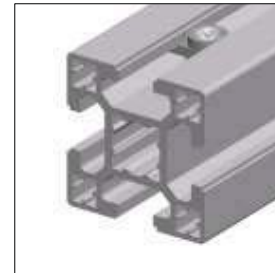
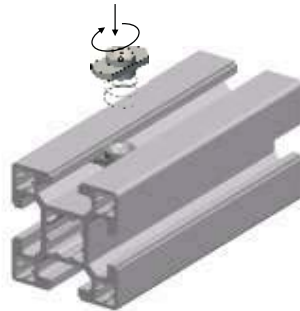
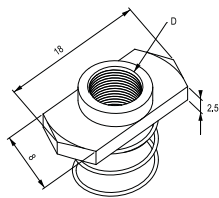


Spring Nut

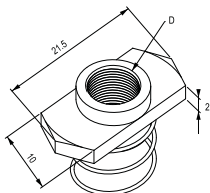
Nut can be inserted into T slot from outside directly while spring will hold it's position



Reliability	★★★★★
Efficiency	★★★★★
Cost	★★★★★



L (mm)	Material	Part No.
18	nickel plated steel	08.SPN.M5
18	nickel plated steel	08.SPN.M6



L (mm)	Material	Part No.
21.5	nickel plated steel	10.SPN.M6
21.5	nickel plated steel	10.SPN.M8