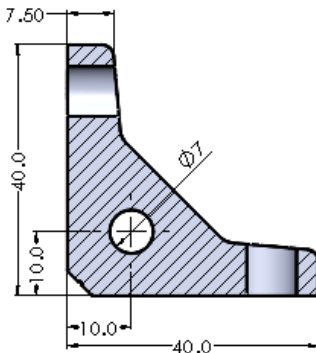
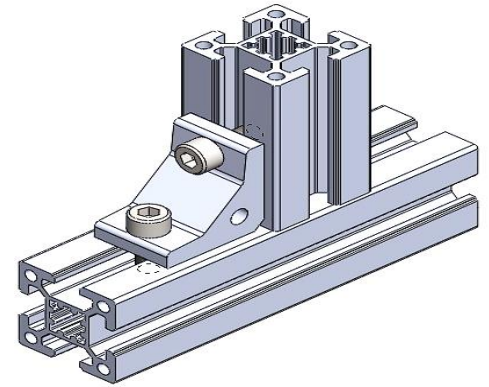
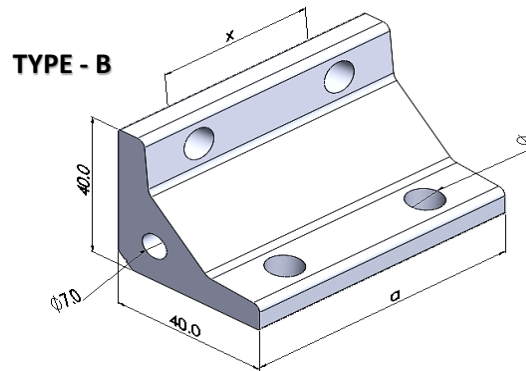
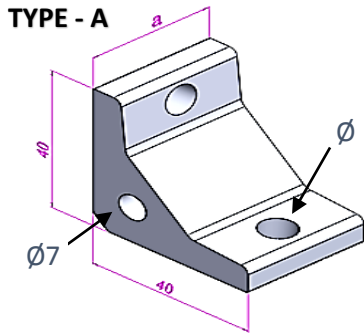


Aluminium Angle



ϕ Hole	Profile	Group	Part Code	Weight
5.5	20 X 20	20 Group	06.AA.2020	28 grams
6.5	30 X 30	30 Group	08.AA.3030	35 grams
6.5	30 X 60	30 Group	08.AA.3060	95 grams
8.5	40 X 40	40 Group	10.AA.4040	50 grams
8.5	40 X 80	40 Group	10.AA.4080	120 grams
8.5	45 X 45	45 Group	10.AA.4545	58 grams
8.5	45 X 90	45 Group	10.AA.4590	142 grams

	M6 X 16 Bolt. M6 Hammer Nut.	Type A
	M8 X 20 Bolt. M8 Hammer Nut.	Type B

Profile	Group	a	Type	x	Sheet Thickness
20 X 20	20 Group	15 mm	A	-	2/3 mm
30 X 30	30 Group	20 mm	A	-	4/6 mm
30 X 60	30 Group	50 mm	B	30	4/6 mm
40 X 40	40 Group	26 mm	A	-	6/8 mm
40 X 80	40 Group	66 mm	B	40	6/8 mm
45 X 45	45 Group	31 mm	A	-	6/8 mm
45 X 90	45 Group	76 mm	B	45	6/8 mm

www.sica.in	Modular Assembly System	Modular Conveyor System	Ergonomic Workstation and Lean Production System	Machine Guard and Enclosure System	Linear Motion System	Clean Room System
--	-------------------------	-------------------------	--	------------------------------------	----------------------	-------------------