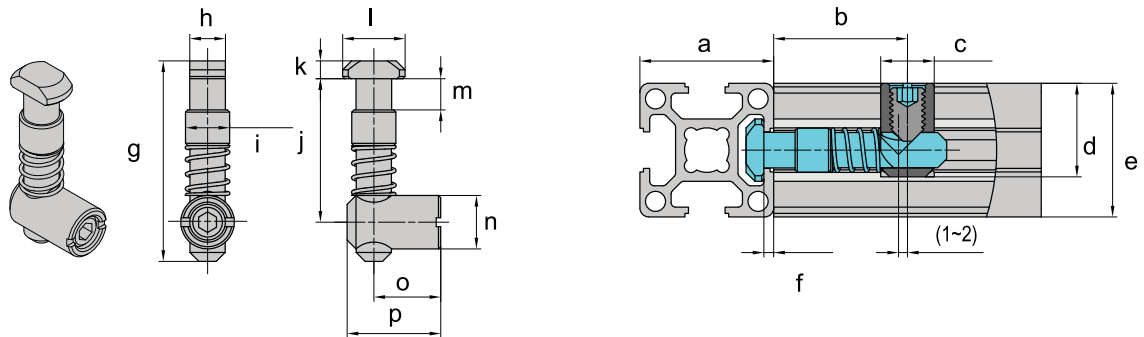
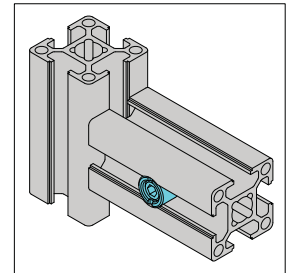


Anchor Connector Universal

Material: zinc plated steel



ANCHOR CONNECTOR UNIVERSAL

20

Description	Material	Mass (g/unit)	Part No.
Anchor Connector-PG30-Universal	zinc plated steel	38	08.AC.U
Anchor Connector-PG40-Universal	zinc plated steel	58	10.AC.U

Item	Size															
	a	b	c	d	e	f	g	h	i	j	k	l	m	n	o	p
Anchor Connector-PG30-Universal	PG30	30	Φ12	21	PG30	2.2	45	8	Φ9.9	32.2	4	Φ14	7	Φ12	15	21
Anchor Connector-PG40-Universal	PG40	32	Φ15	27	PG40	4	52	10	Φ11.9	36	5	Φ18	7	Φ15	20	27