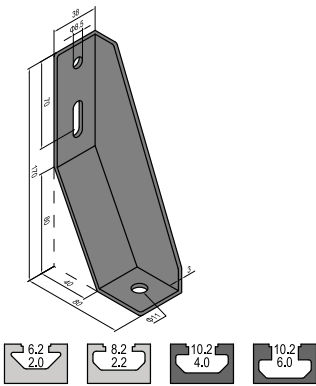


Base Angle-Right/Left



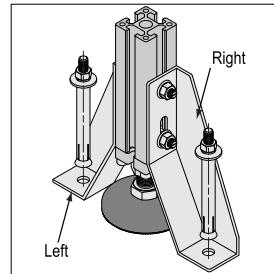
Floor Elements

Base Angle

To improve stability of structure supported by leveling foot.

Material : steel, plastic powder coated

Color : black



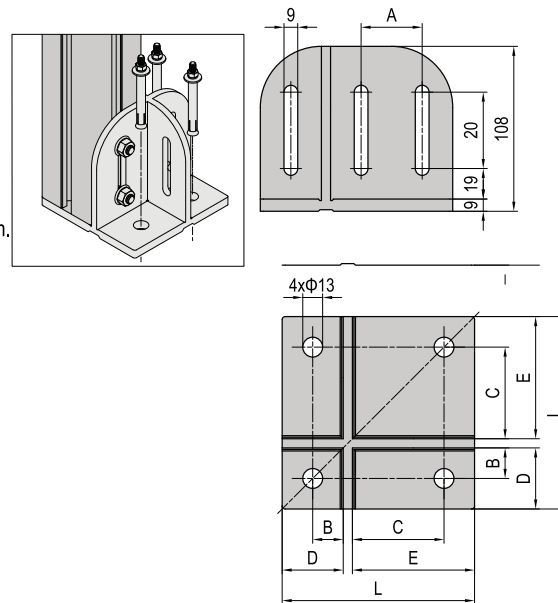
Description	Mass(g)	Part No.
Base Angle	346	BASEA.L

Floor Elements

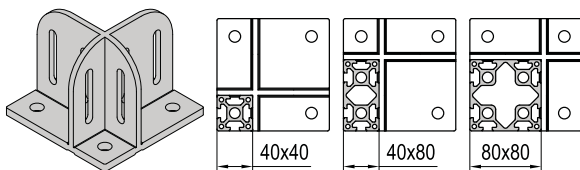
Base Plate

To support strut profile mounted between sections of protective barrier system. Expansion bolts chocked into floor can offer very high stability.

Material and Color : die cast steel with surface corrosion resist treated grey



Base Plate 4080



Description	Mass(g)	Part No.
Base Plate	1930	BASEP.4080