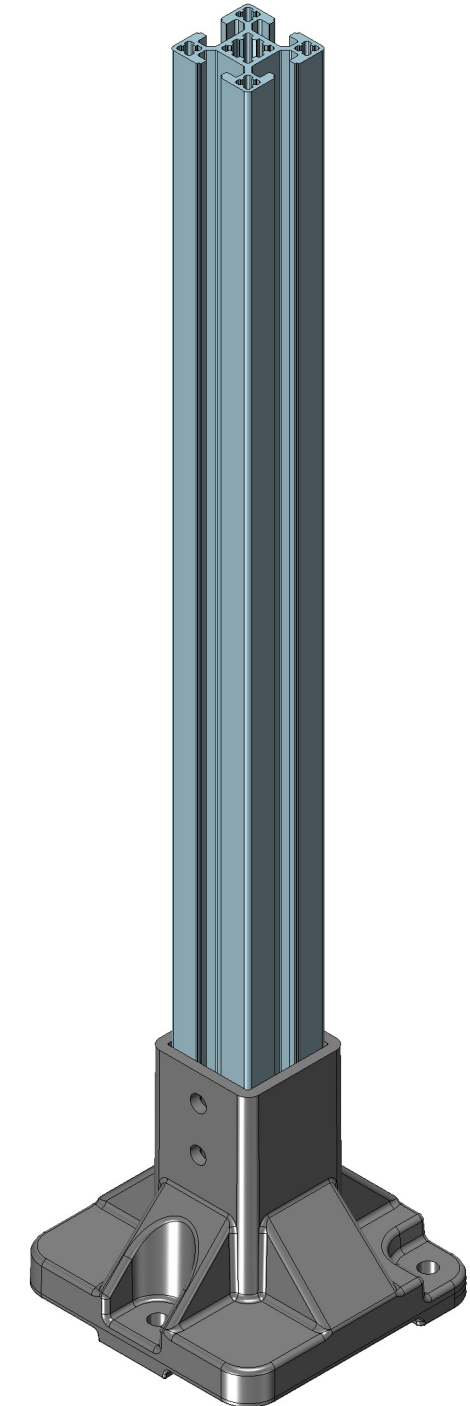
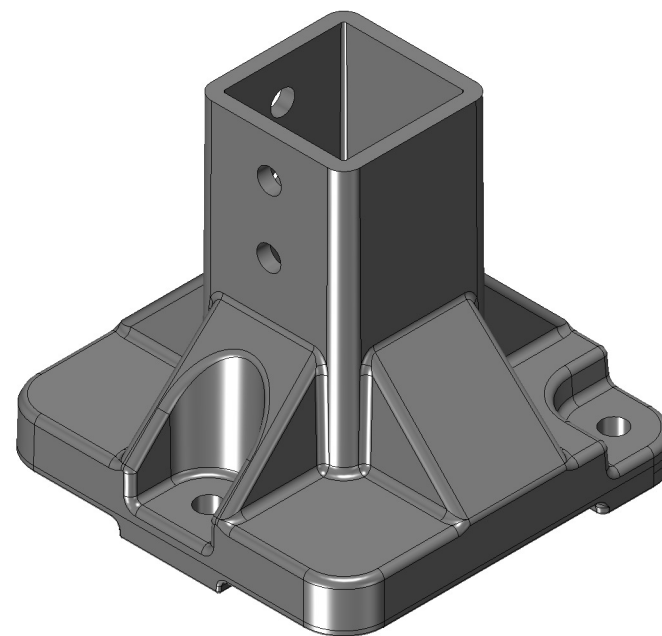
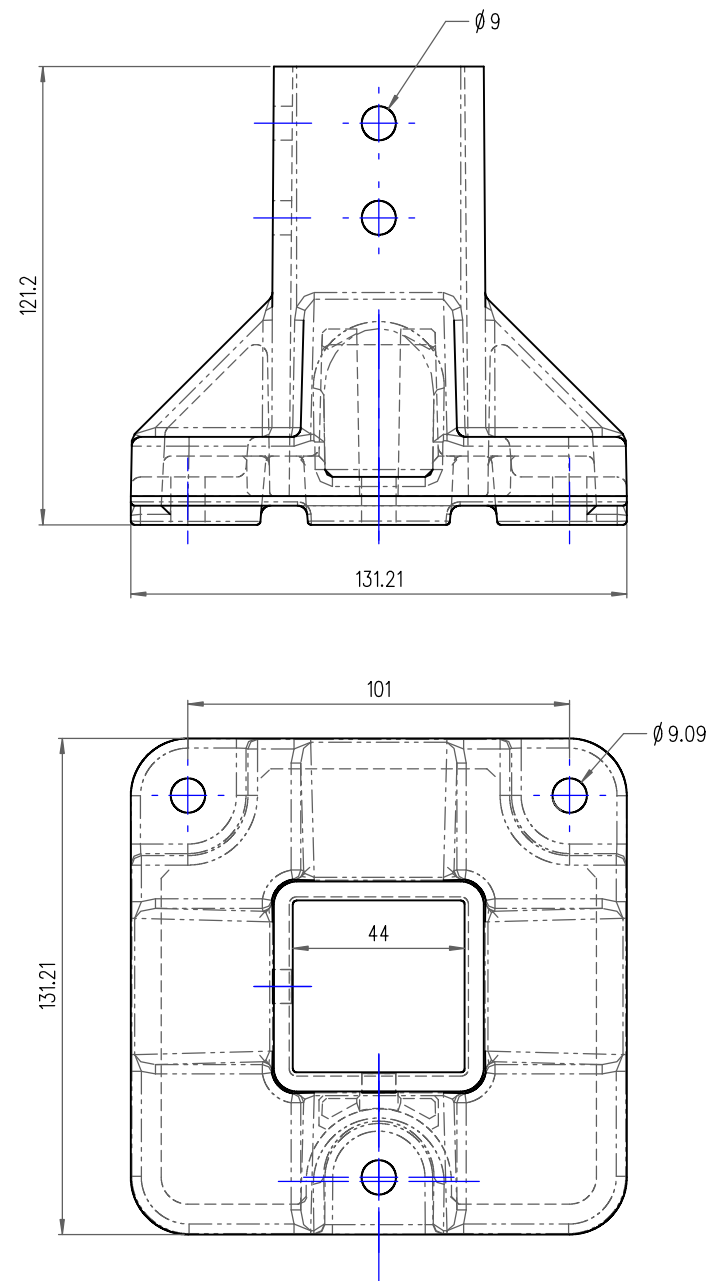


Profile Group -	Base Stand
Part Code -	
Description -	Base Stand, 4444



ALL DIMENSIONS
ARE IN MM



SICA INDIA
www.sica.in

DATE	
DRAWN BY	
CHECKED BY	

PART NAME	Base Stand, 4444
-----------	------------------

MODULAR ASSEMBLY SYSTEM	MODULAR CONVEYOR SYSTEM	ERGONOMIC WORKSTATION AND LEAN PRODUCTION SYSTEM	MACHINE GUARD AND ENCLOSURE SYSTEM	LINEAR MOTION SYSTEM	CLEAN ROOM SYSTEM	DRG. NO.	MATERIAL
						APPROX. WT.	REVISION