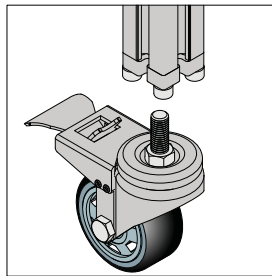
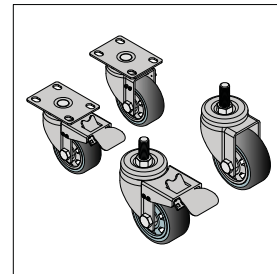
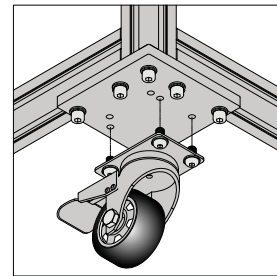


Castor Wheel

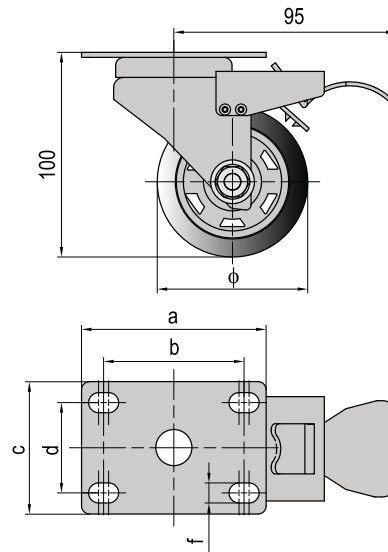
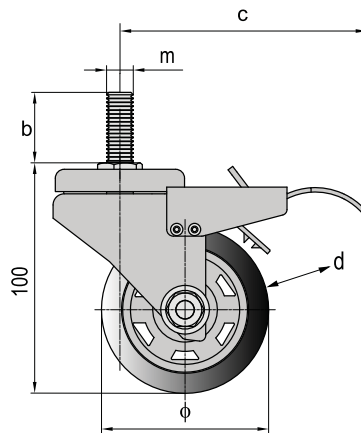
Material and Colour : Base - steel sheet, plastic powder coated, grey
Wheel - polyurethane



Castor wheel with Stud



Castor wheel with Plate



Description	m	a	b	c	d	φ	f	Part No.
Castor wheel PG30	10		20	110	20	50		08.CS.M10.S
Castor wheel PG30		50	43	60	35	50	6.5	08.CS.M10.P
Castor wheel PG40	12		25	125	25	75		10.CS.M12.S
Castor wheel PG40		77	52	60	40	75	8.5	10.CS.M12.P