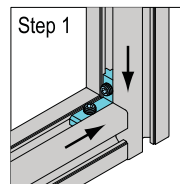
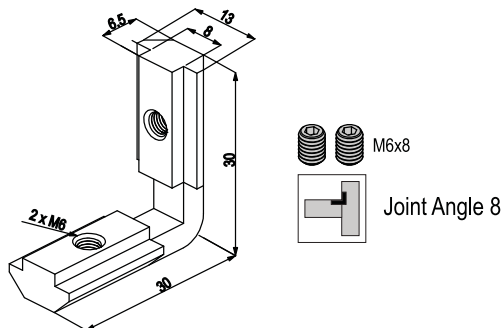
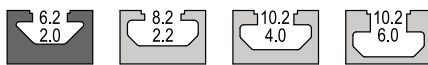
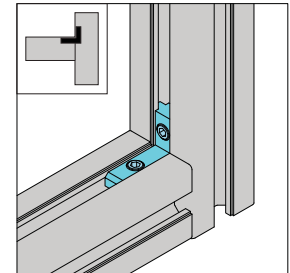
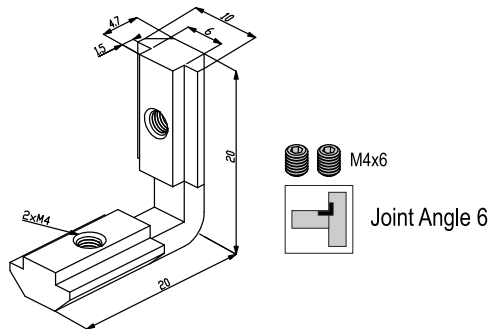


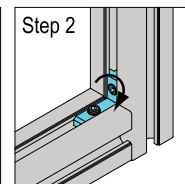
## Joint Angle

Joint Angle set (set screw pre installed)

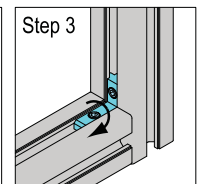
Material : Nickel Plated steel for bracket  
Nickel Plated steel for set screw



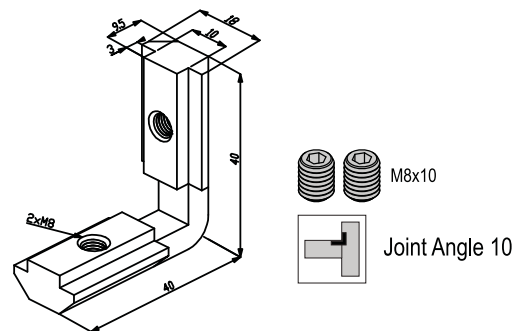
set parts in position



tighten L1 set screw



tighten L2 set screw



Description	Mass (g)	Part No.
Joint Angle 6-A (with set screw)	6	06.JA
Joint Angle 8-A (with set screw)	18	08.JA
Joint Angle 10-A (with set screw)	36	10.JA

