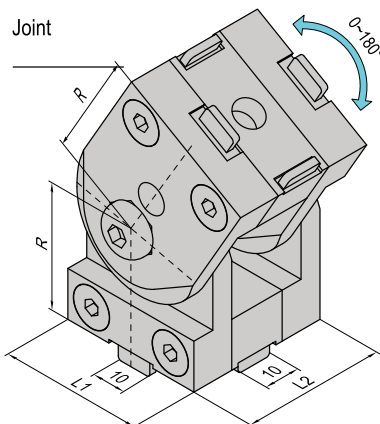
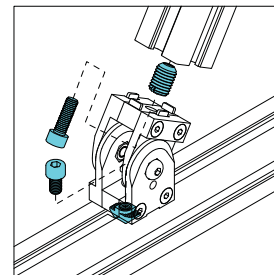
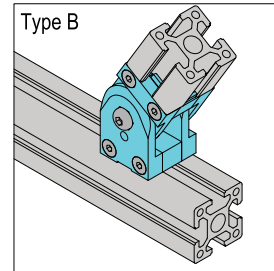
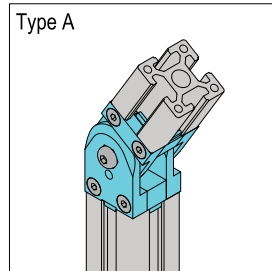


Joint

To attach electrical box or connect movable profiles.

Material and Color: zinc plated steel



Description	L1 (mm)	L2 (mm)	R (mm)	Fastening Set	Mass (g)	Part No.
Joint-Type A-4040	40	40	35		560	08.JT.4040
Joint-Type A-4080	80	40	35		950	10.JT.4080