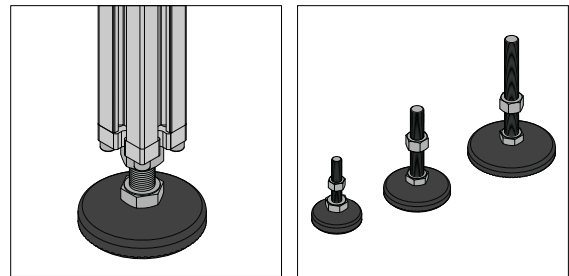
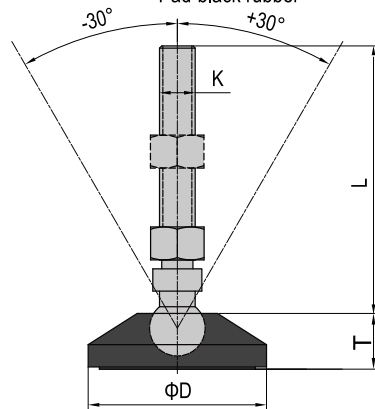


## Leveling Base

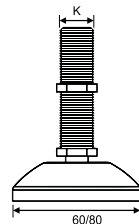
To support structure where gradual height adjustment is needed, the pivot foot has a small swiveling angle to fit slightly uneven floor. The connection between the pivot base and the spindle can be released with a tool.

Material and Color: Base - black PA6  
Spindle - zinc plated steel  
Pad - black rubber



D(mm)	L(mm)	T(mm)	K(mm)	Part No.
φ60	100	25	8	LB60.08100,PA
φ60	100	25	10	LB60.10100,PA
φ60	100	25	12	LB60.12100,PA
φ60	100	25	16	LB60.16100,PA
φ80	100	25	8	LB80.08100,PA
φ80	100	25	10	LB80.10100,PA
φ80	100	25	12	LB80.12100,PA
φ80	100	25	16	LB80.16100,PA
φ100	100	50	16	LB100.16100,PA
φ100	160	50	20	LB100.20160,PA

φ60/80



φ100

