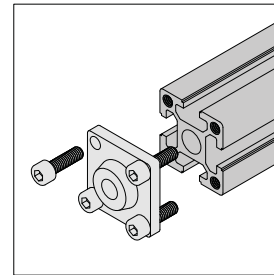
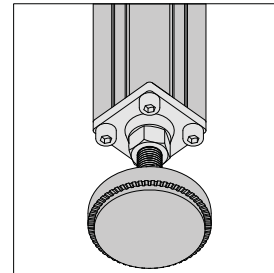
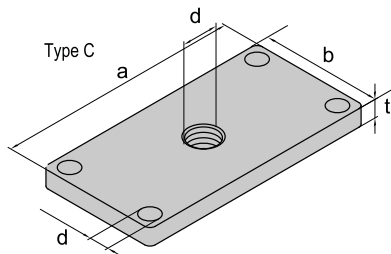
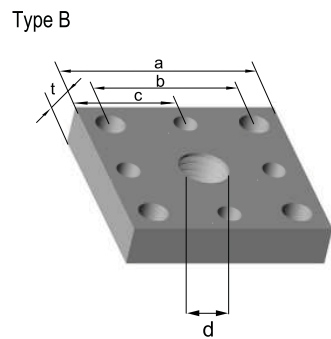
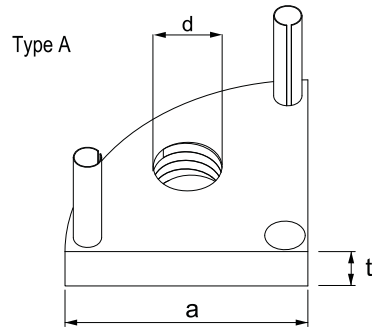


## Mounting Plate

To attach leveling foot to strut profile end.

Material : zinc plated steel



Description		a	b	c	d	t	Fastening set	Part No.
Type A	Mounting Plate PG30.30R	30	5		10	06		08.MP.30.30R
	Mounting Plate PG40.40R	40	6		12	08		10.MP.40.40R
Type B	Mounting Plate PG3030	30	22.5	15	10	06		08.MP.3030
	Mounting Plate PG4040	40	30	20	12	12		10.MP.4040
	Mounting Plate PG4545	45	33	22.5	12	10		10.MP.4545
Type C	Mounting Plate PG40.4080	80	40	8	12	08		10.MP.4080
	Mounting Plate PG45.4590	90	45	8	12	16		10.MP.4590
Type A	Mounting Plate PG30.30R	30	5	8	10		1x(M5x16)	08.MP.3030R.Set
	Mounting Plate PG40.40R	40	6	8	12		1x(M6x15)	10.MP.4040R.Set
Type B	Mounting Plate PG3030	30	22.5	15	10		4x(M5x12)	08.MP.3030.Set
	Mounting Plate PG4040	40	30	20	12		4x(M6x15)	10.MP.4040.Set
	Mounting Plate PG4545	45	33	22.5	12		4x(M6x15)	10.MP.4545.Set
Type C	Mounting Plate PG40.4080	80	40	8	12		4x(M6x15)	10.MP.4080.Set
	Mounting Plate PG45.4590	90	45	8	12		4x(M6x15)	10.MP.4590.Set