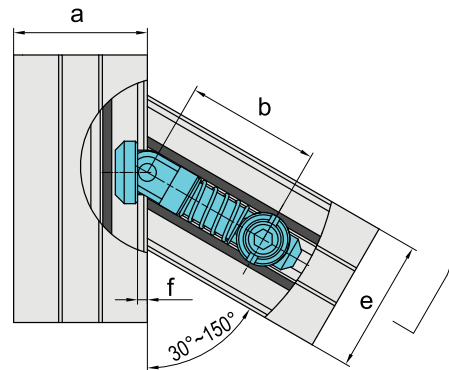
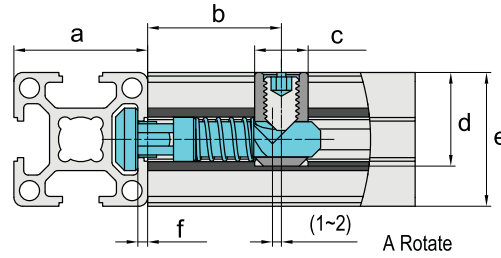
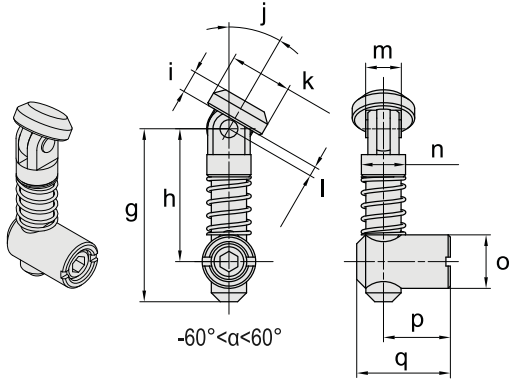
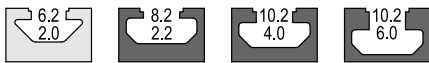
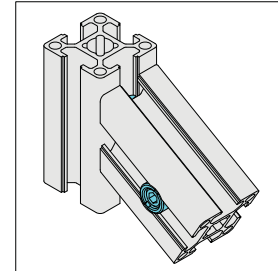


One Way Angle Anchor Connector

Material : zinc plated steel



Description	Material	Mass (g/unit)	Part No.
One Way Angle Anchor Connector-PG30	zinc plated steel	55	08.OWAAC
One Way Angle Anchor Connector-PG40	zinc plated steel	72	10.OWAAC

Item	Size																
	a	b	c	d	e	f	g	h	i	j	k	l	m	n	o	p	q
One Way Angle Anchor Connector-PG30	PG30	30	Φ12	21	PG30	2.2	38.8	30	5	α	Φ14	2.2	8	Φ9.9	Φ12	15	21
One Way Angle Anchor Connector-PG40	PG40	32	Φ15	27	PG40	4	43	32	6	α	Φ18	4	10	Φ11.9	Φ15	20	27