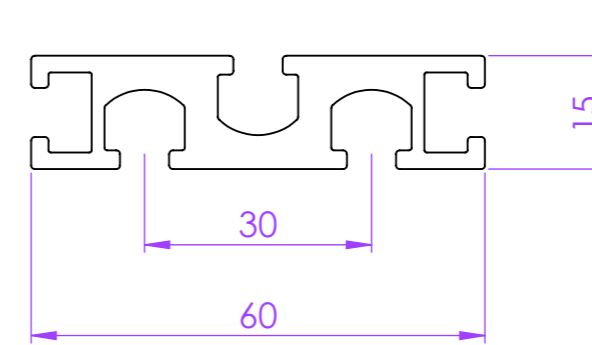
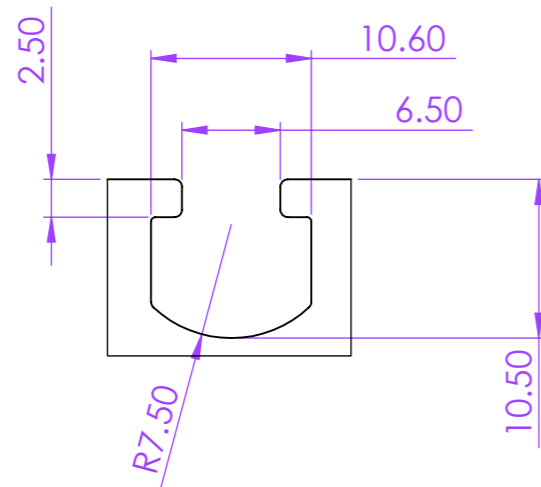
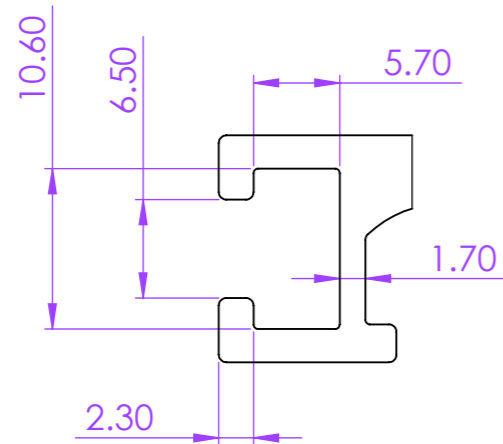
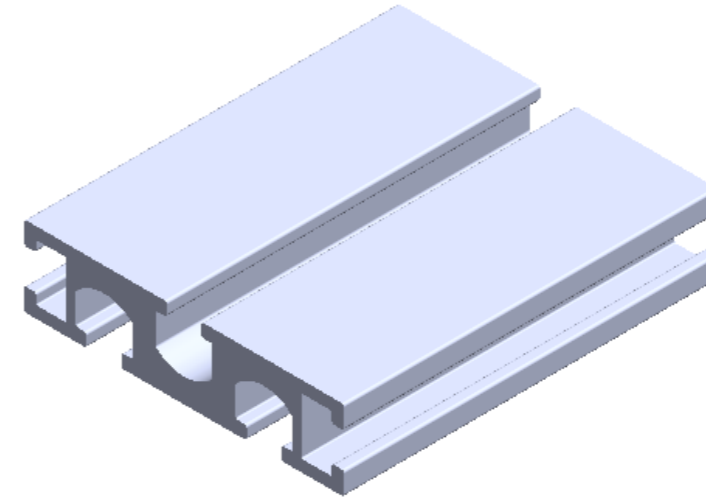


Profile Group - 15 Series

Part Code - PG 1560

Description - PG 15 x 60 with 5 slots



ALL DIMENSIONS ARE IN MM



SICA INDIA
www.sica.in

DATE 26-06-2015
DRAWN BY Praful
CHECKED BY

PART NAME PG 1560

MODULAR ASSEMBLY SYSTEM

MODULAR CONVEYOR SYSTEM

ERGONOMIC WORKSTATION AND LEAN PRODUCTION SYSTEM

MACHINE GUARD AND ENCLOUSURE SYSTEM

LINEAR MOTION SYSTEM

CLEAN ROOM SYSTEM

DRG. NO. 4477

MATERIAL ALUMINIUM ALLOY 6063 T6

APPROX. WT. 1.260 kg/mtr

REVISION