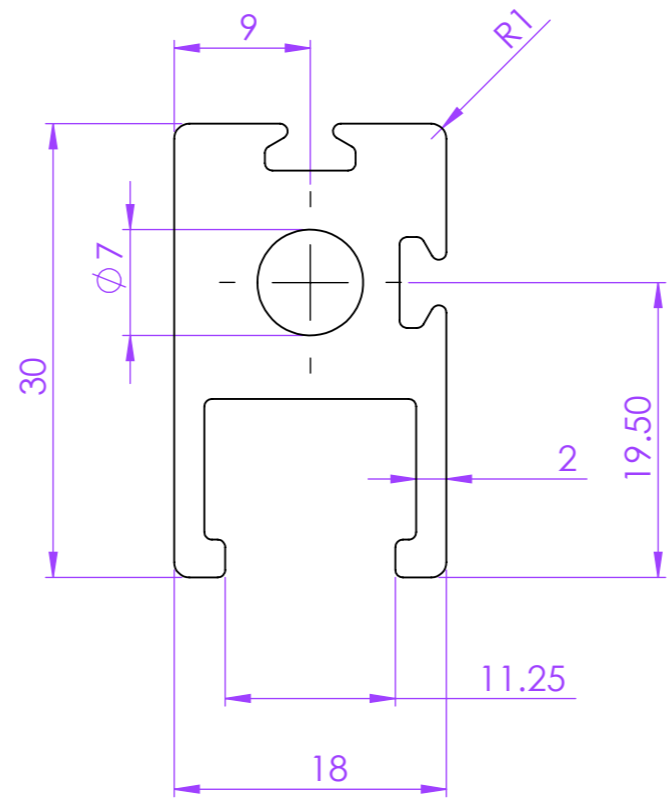
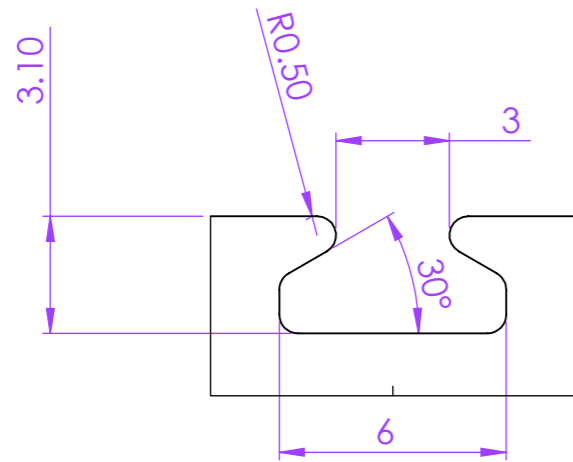
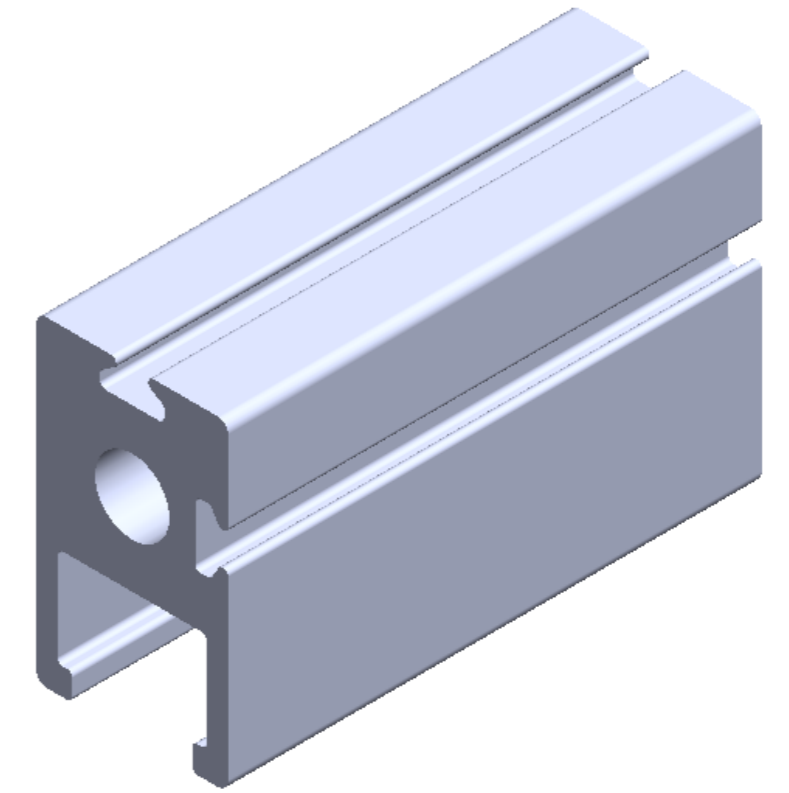


Profile Group - Window

Part Code - PG1830

Description - PG 18X30



ALL DIMENSIONS ARE IN MM



SICA INDIA
www.sica.in

DATE 15-11-2013
DRAWN BY Praful
CHECKED BY

PART NAME PG 18X30

DRG. NO. 2762

MATERIAL ALUMINIUM ALLOY 6063 T6

APPROX. WT. 0.845 kg/mtr

REVISION

MODULAR ASSEMBLY SYSTEM

MODULAR CONVEYOR SYSTEM

ERGONOMIC WORKSTATION AND LEAN PRODUCTION SYSTEM

MACHINE GUARD AND ENCLOSURE SYSTEM

LINEAR MOTION SYSTEM

CLEAN ROOM SYSTEM