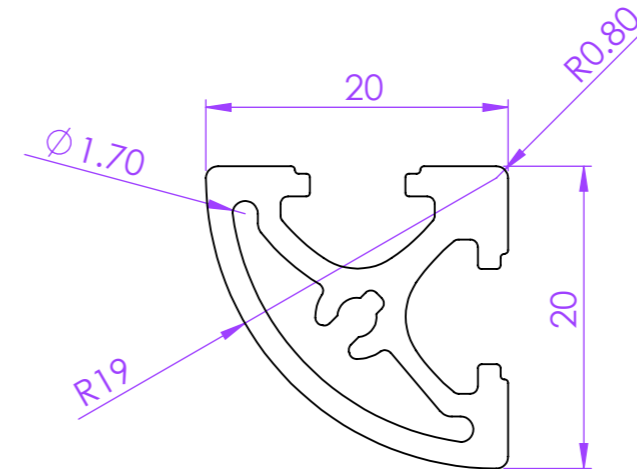
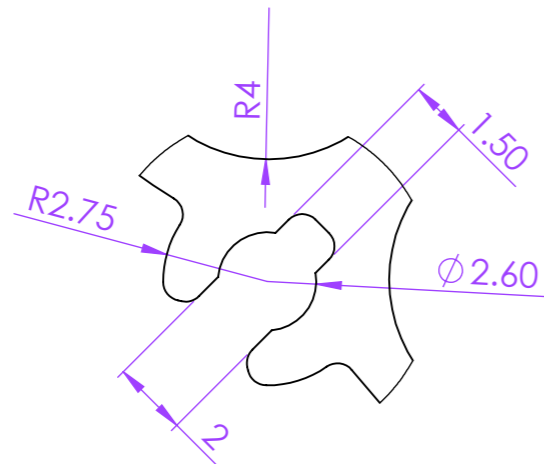
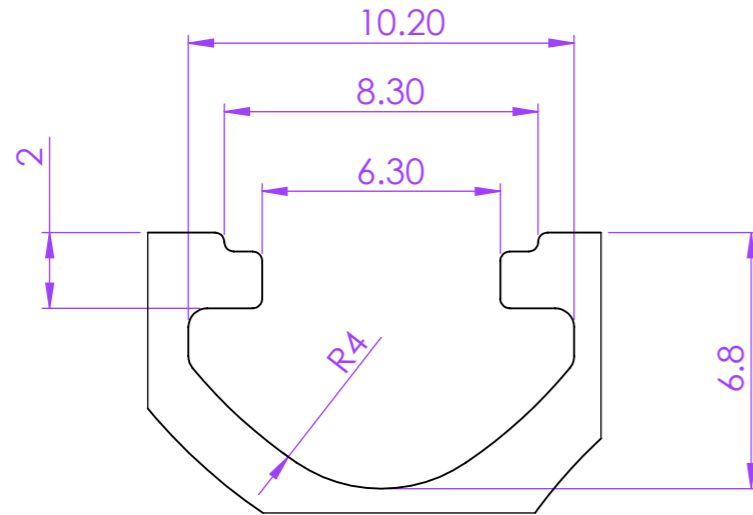
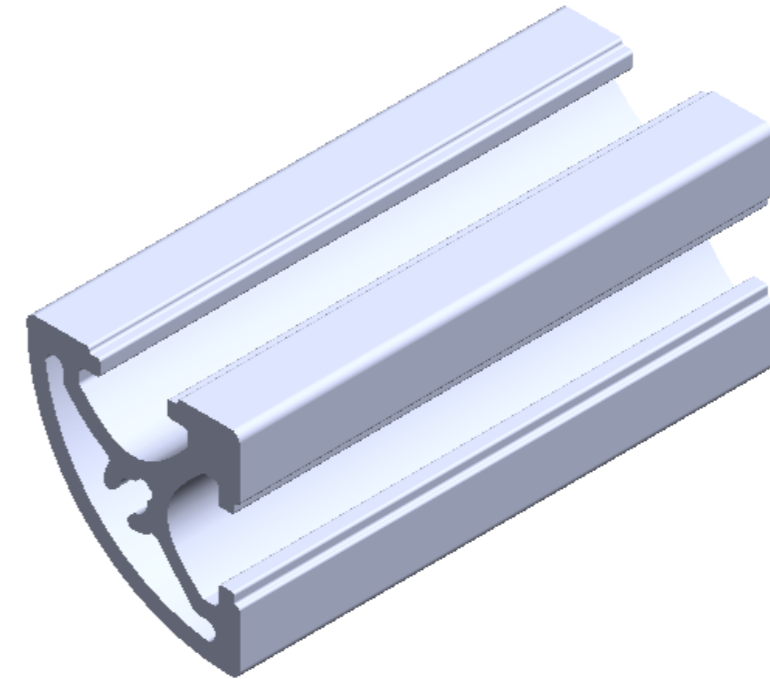


Profile Group - 20 Series

Part Code - PG 2020 R90

Description - PG20 - 20 x 20 R90 2 slots



ALL DIMENSIONS
ARE IN MM



SICA INDIA
www.sica.in

DATE 02-04-2015
DRAWN BY Praful
CHECKED BY

PART NAME PG 2020 R90

MODULAR
ASSEMBLY
SYSTEM

MODULAR
CONVEYOR
SYSTEM

ERGONOMIC
WORKSTATION AND
LEAN PRODUCTION
SYSTEM

MACHINE GUARD
AND
ENCLOUSURE
SYSTEM

LINEAR
MOTION
SYSTEM

CLEAN
ROOM
SYSTEM

DRG. NO.

APPROX. WT.

MATERIAL ALUMINIUM
ALLOY 6063 T6

REVISION