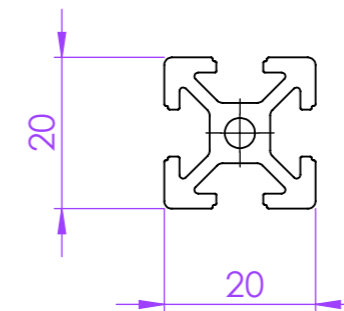
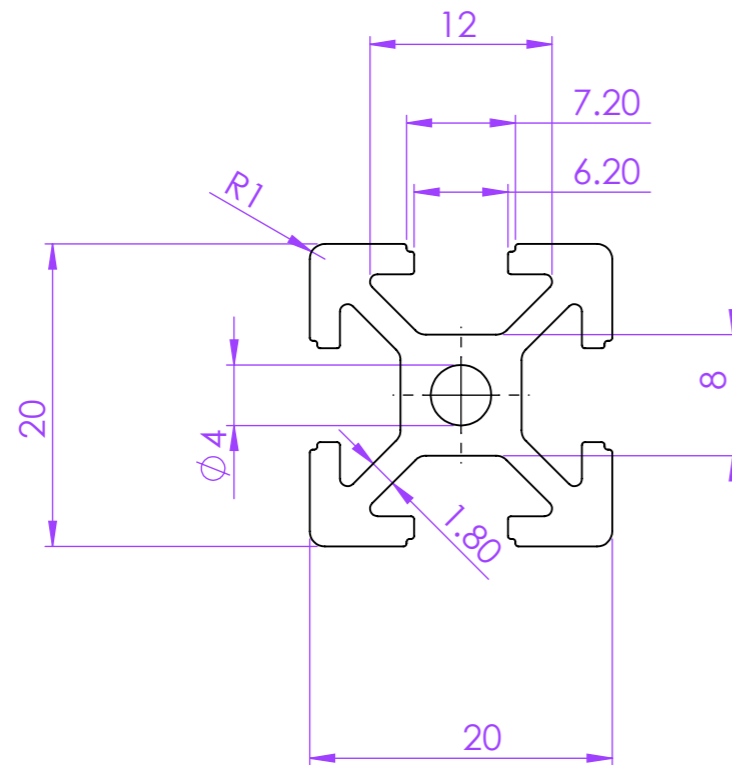
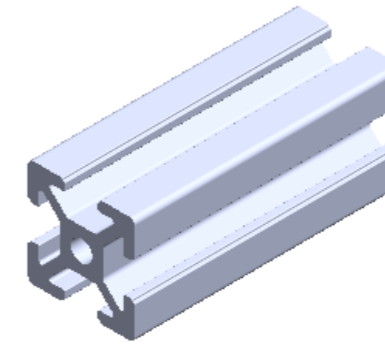


Profile Group - 20 Series

Part Code - PG 2020 S

Description - PG 20 20X20 4 SLOTS



ALL DIMENSIONS ARE IN MM



SICA INDIA
www.sica.in

DATE 05-03-2015
DRAWN BY Praful
CHECKED BY

PART NAME PG 2020 S

MODULAR ASSEMBLY SYSTEM	MODULAR CONVEYOR SYSTEM	ERGONOMIC WORKSTATION AND LEAN PRODUCTION SYSTEM	MACHINE GUARD AND ENCLOUSURE SYSTEM	LINEAR MOTION SYSTEM	CLEAN ROOM SYSTEM	DRG. NO.	MATERIAL ALUMINIUM ALLOY 6063 T6
						APPROX. WT. 0.500 kg/mtr	REVISION