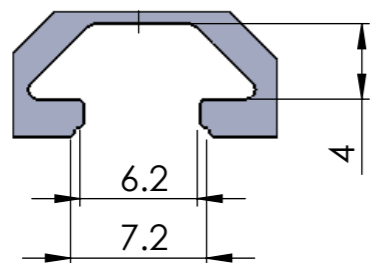
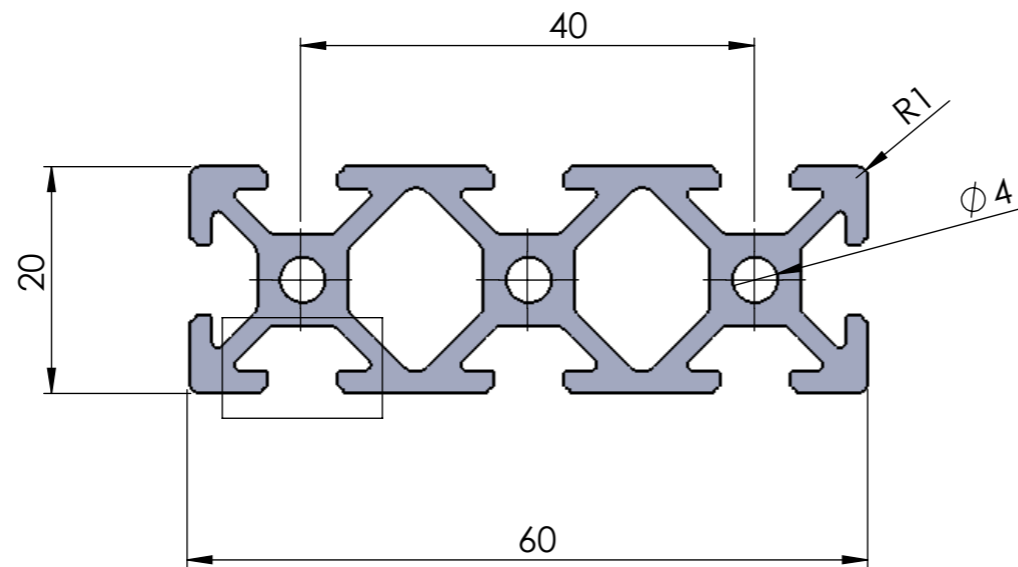
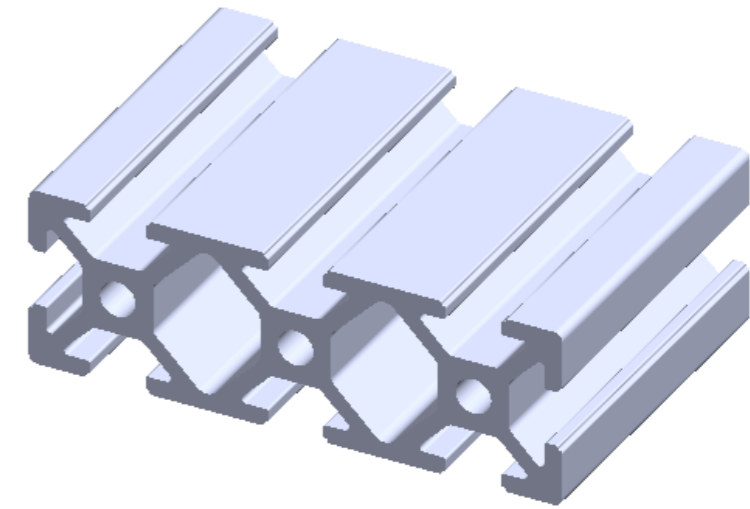


**Profile Group -** 20 MM SERIES

**Part Code -** PG20 2060 H

**Description -** PG20 - 20X60 - 8 SLOTS



ALL DIMENSIONS ARE IN MM



**SICA INDIA**  
www.sica.in

DATE	07-07-2017
DRAWN BY	M. S
CHECKED BY	

**PART NAME** 20 x 60

**DRG. NO.** 4484

**MATERIAL** ALUMINIUM ALLOY 6063 T6

**APPROX. WT.**

**REVISION**

**MODULAR ASSEMBLY SYSTEM**

**MODULAR CONVEYOR SYSTEM**

**ERGONOMIC WORKSTATION AND LEAN PRODUCTION SYSTEM**

**MACHINE GUARD AND ENCLOSURE SYSTEM**

**LINEAR MOTION SYSTEM**

**CLEAN ROOM SYSTEM**