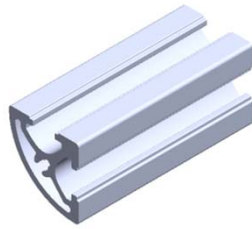
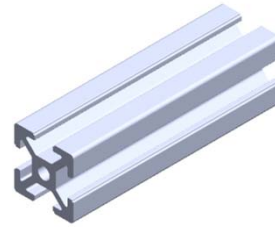


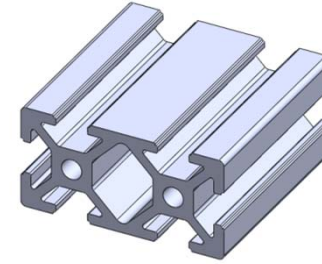
20 GROUP



PG20 2020R90



PG20 2020S

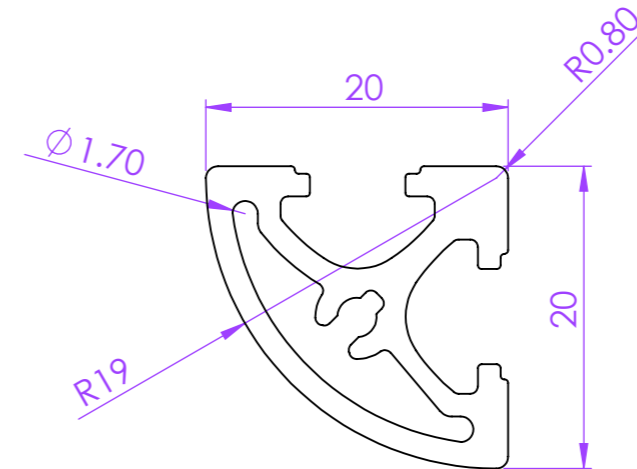
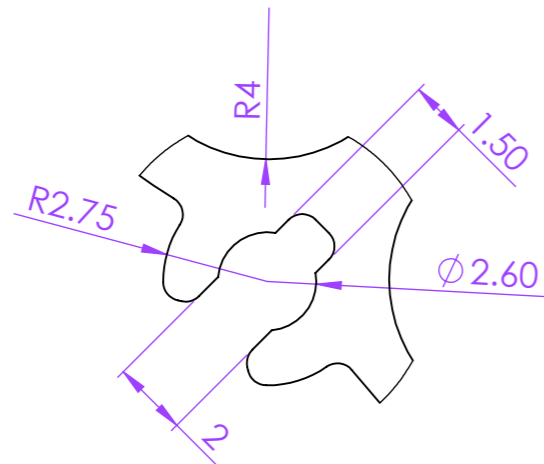
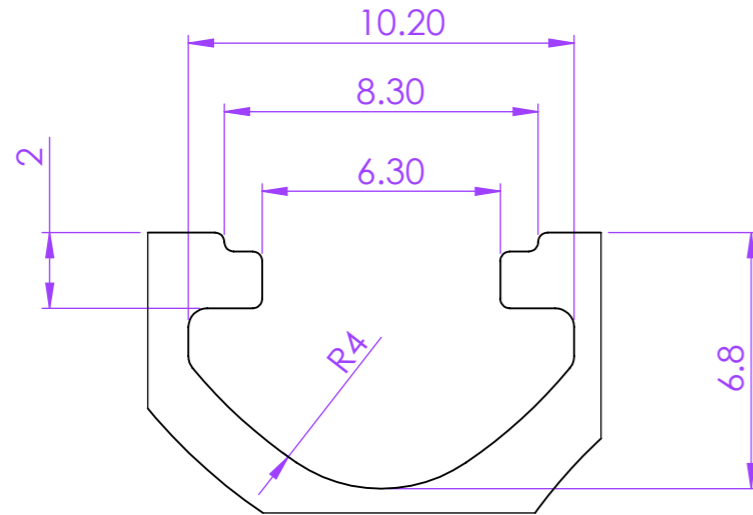
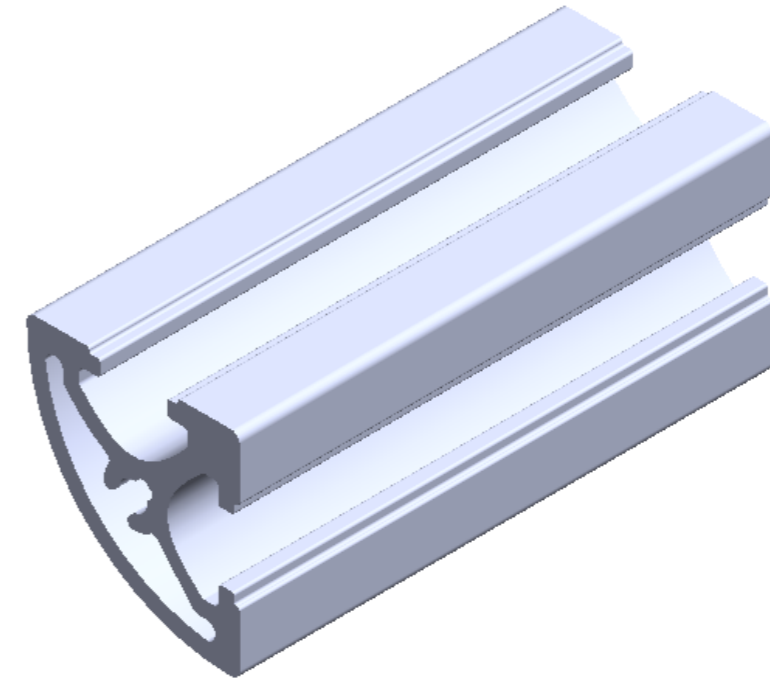


PG20 2040

Profile Group - 20 Series

Part Code - PG 2020 R90

Description - PG20 - 20 x 20 R90 2 slots



ALL DIMENSIONS
ARE IN MM



SICA INDIA
www.sica.in

DATE 02-04-2015
DRAWN BY Praful
CHECKED BY

PART NAME PG 2020 R90

MODULAR
ASSEMBLY
SYSTEM

MODULAR
CONVEYOR
SYSTEM

ERGONOMIC
WORKSTATION AND
LEAN PRODUCTION
SYSTEM

MACHINE GUARD
AND
ENCLOUSURE
SYSTEM

LINEAR
MOTION
SYSTEM

CLEAN
ROOM
SYSTEM

DRG. NO.

APPROX. WT.

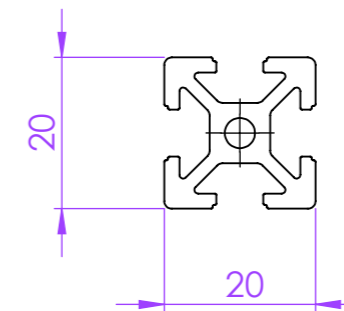
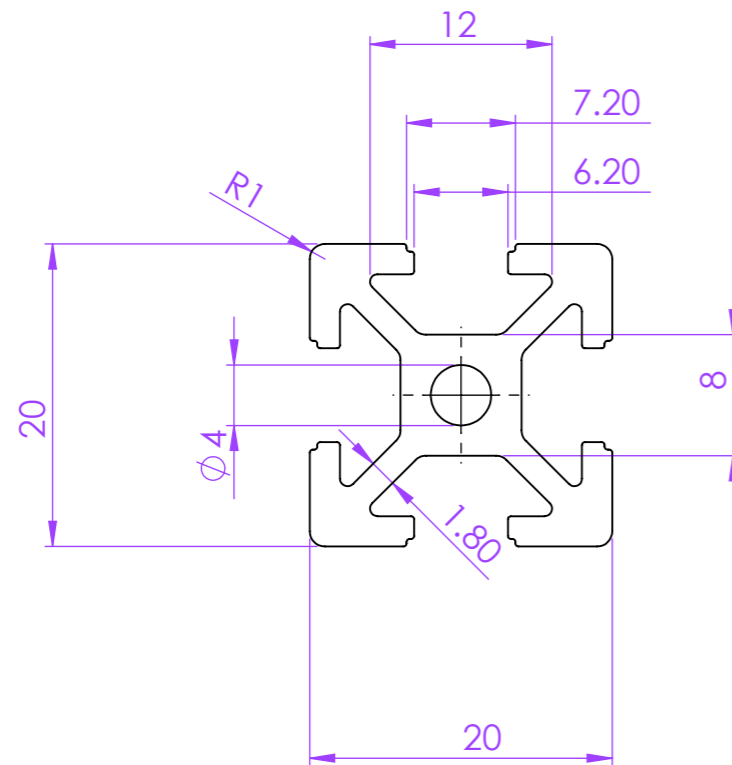
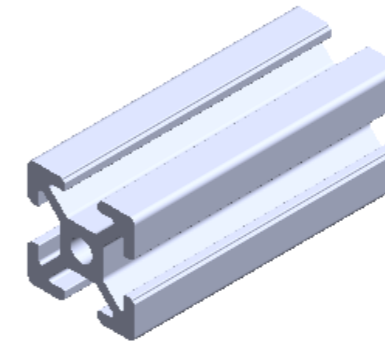
MATERIAL ALUMINIUM
ALLOY 6063 T6

REVISION

Profile Group - 20 Series

Part Code - PG 2020 S

Description - PG 20 20X20 4 SLOTS



ALL DIMENSIONS ARE IN MM



SICA INDIA
www.sica.in

DATE 05-03-2015
DRAWN BY Praful
CHECKED BY

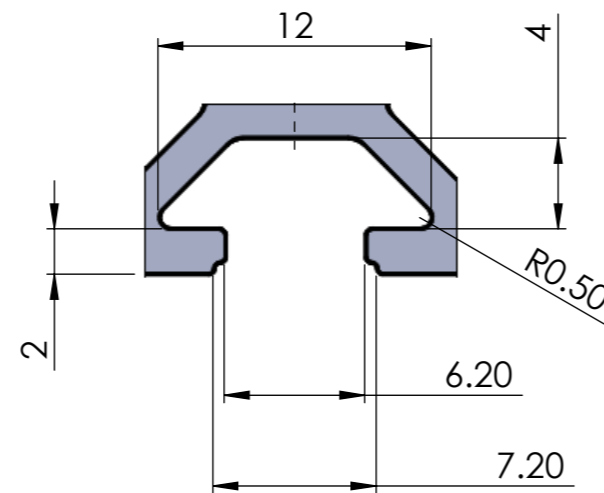
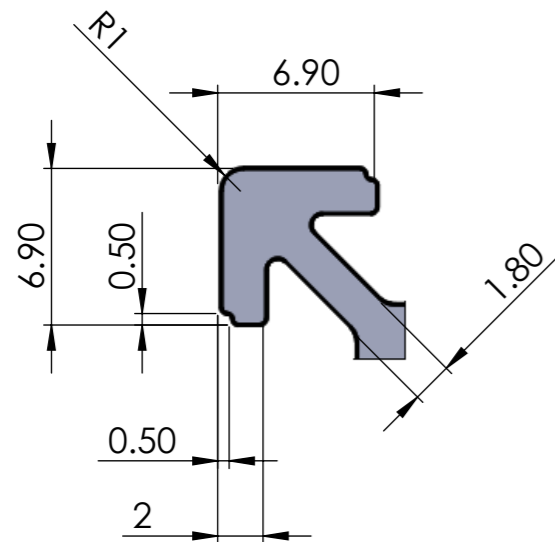
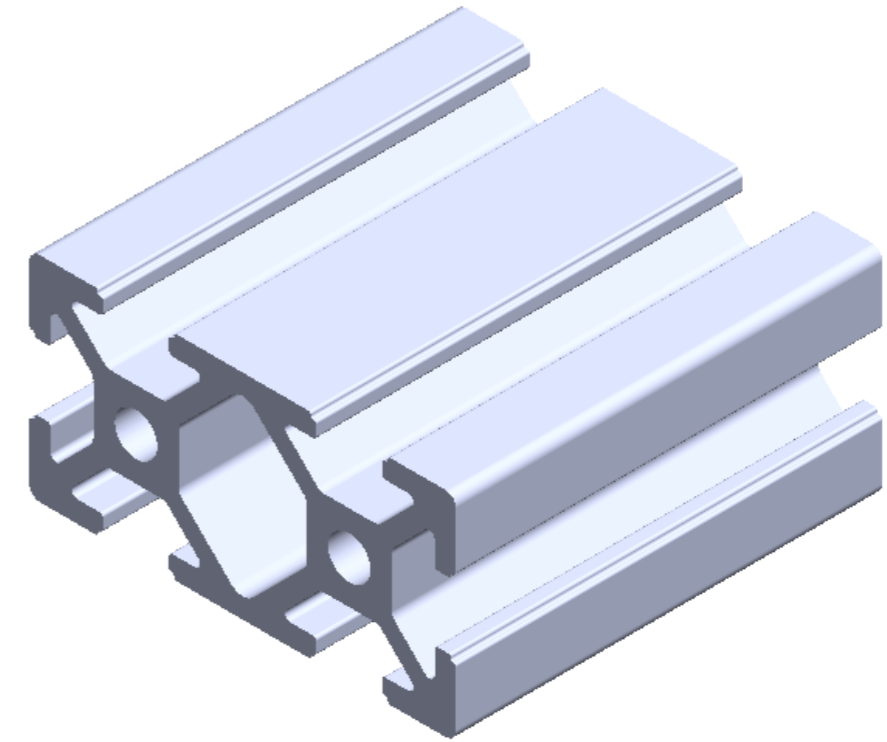
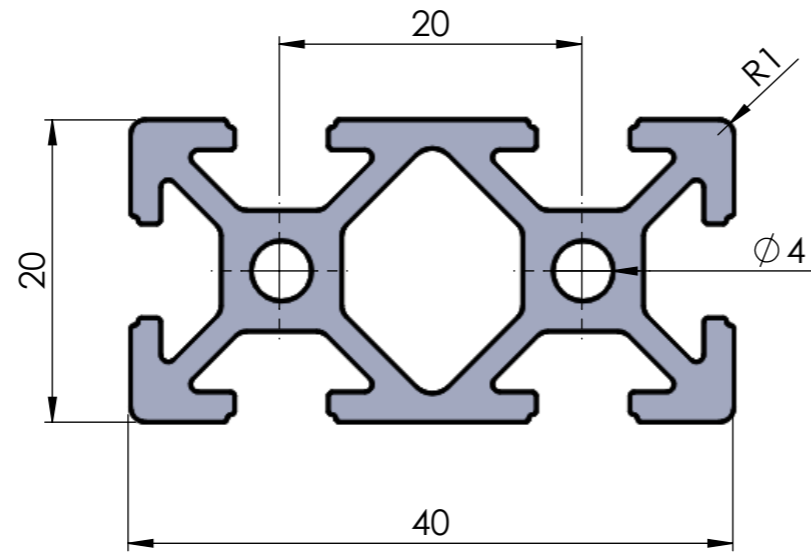
PART NAME PG 2020 S

MODULAR ASSEMBLY SYSTEM	MODULAR CONVEYOR SYSTEM	ERGONOMIC WORKSTATION AND LEAN PRODUCTION SYSTEM	MACHINE GUARD AND ENCLOUSURE SYSTEM	LINEAR MOTION SYSTEM	CLEAN ROOM SYSTEM	DRG. NO.	MATERIAL ALUMINIUM ALLOY 6063 T6
						APPROX. WT. 0.500 kg/mtr	REVISION

Profile Group - 20 Series

Part Code - PG 2040 S

Description - PG 20 2040 6 SLOTS



ALL DIMENSIONS ARE IN MM



SICA INDIA
www.sica.in

DATE	27-05-2016
DRAWN BY	M.S
CHECKED BY	

PART NAME PG 2040 S

DRG. NO.	MATERIAL ALUMINIUM ALLOY 6063 T6
APPROX. WT. 0.910 kg/mtr	REVISION

MODULAR ASSEMBLY SYSTEM	MODULAR CONVEYOR SYSTEM	ERGONOMIC WORKSTATION AND LEAN PRODUCTION SYSTEM	MACHINE GUARD AND ENCLOUSURE SYSTEM
LINEAR MOTION SYSTEM	CLEAN ROOM SYSTEM		