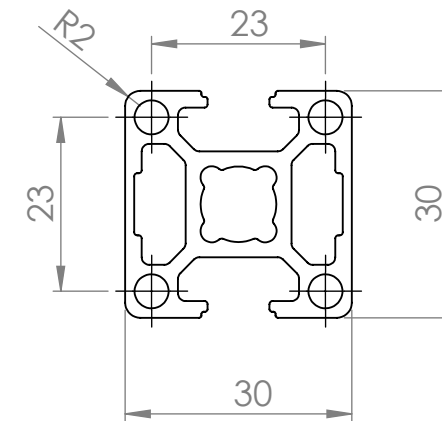
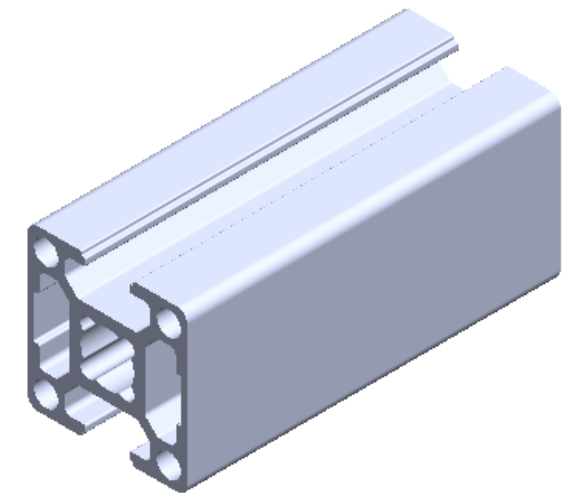
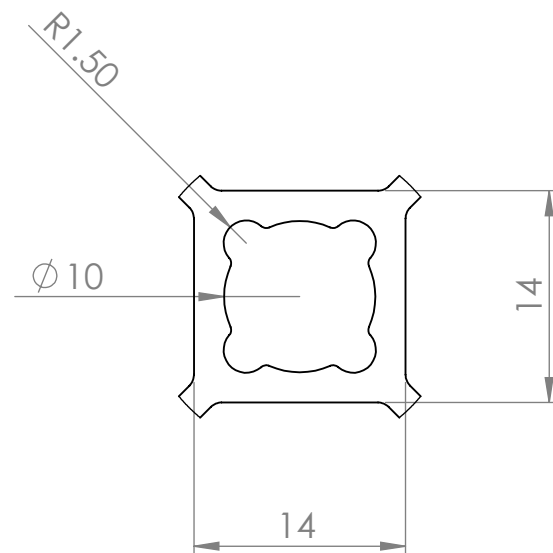
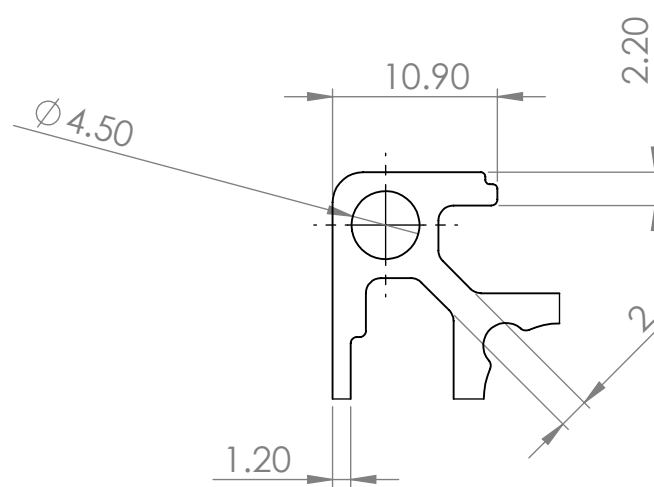
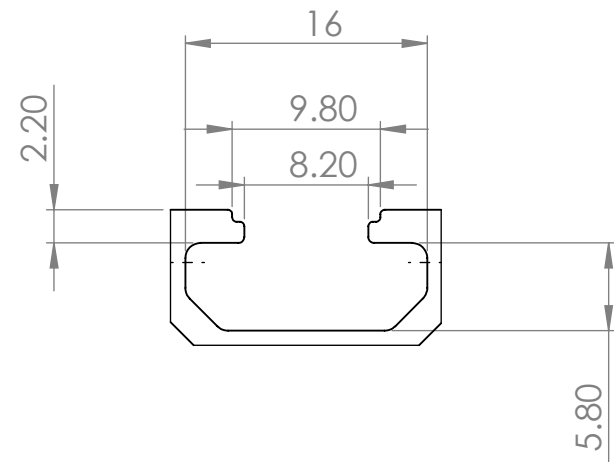


Profile Group - 30 Series

Part Code - PG30 2OSC

Description - PG30 - 3030H Two Opposite Side Closed



ALL DIMENSIONS ARE IN MM



SICA INDIA
www.sica.in

DATE	30-06-2014
DRAWN BY	Praful
CHECKED BY	

PART NAME PG30 2OSC

DRG. NO. 4462	MATERIAL ALUMINIUM ALLOY 6063 T6
APPROX. WT. 0.910 kg/mtr	REVISION

MODULAR ASSEMBLY SYSTEM	MODULAR CONVEYOR SYSTEM	ERGONOMIC WORKSTATION AND LEAN PRODUCTION SYSTEM	MACHINE GUARD AND ENCLOSURE SYSTEM
--------------------------------	--------------------------------	---	---

LINEAR MOTION SYSTEM	CLEAN ROOM SYSTEM
-----------------------------	--------------------------