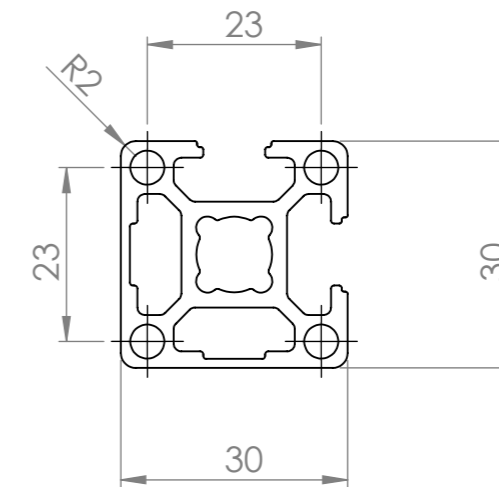
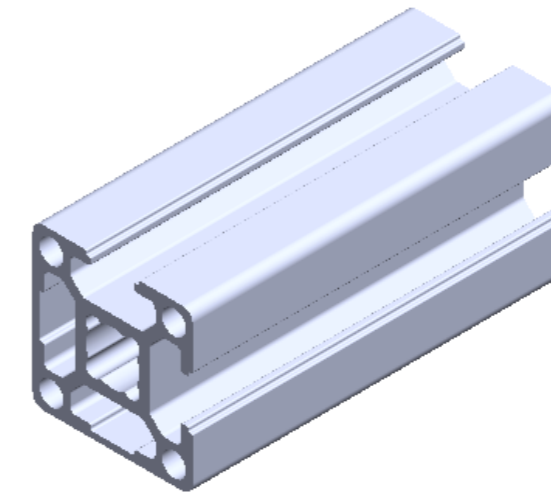
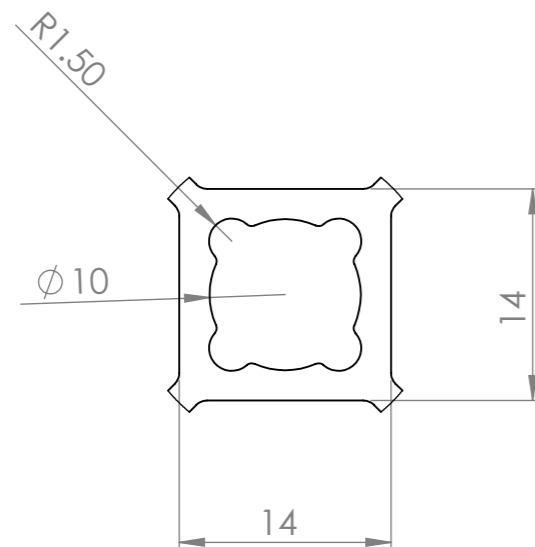
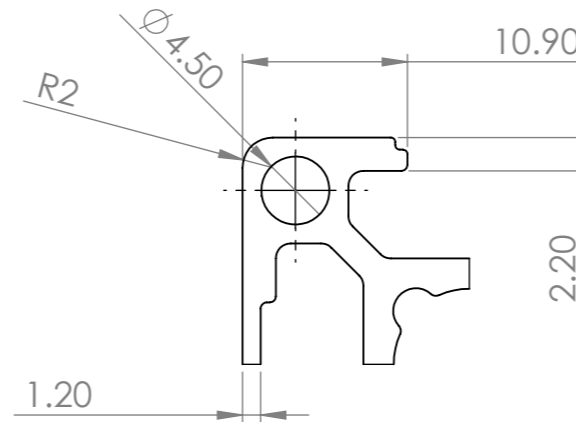
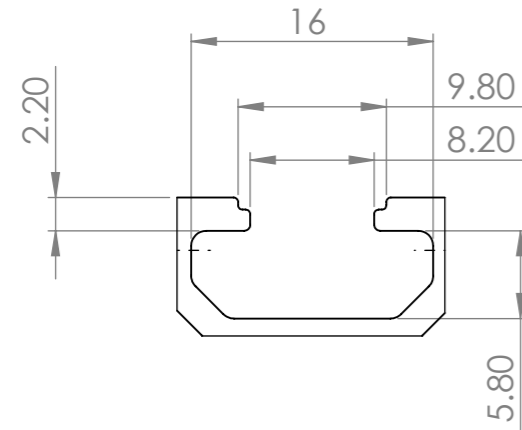


**Profile Group -** 30 Series

**Part Code -** PG30 2SSC

**Description -** PG30 - 3030H Two adjacent Side Closed



ALL DIMENSIONS ARE IN MM



**SICA INDIA**  
www.sica.in

DATE 30-06-2014  
DRAWN BY Praful  
CHECKED BY

**PART NAME**  
PG30 2SSC

MODULAR ASSEMBLY SYSTEM	MODULAR CONVEYOR SYSTEM	ERGONOMIC WORKSTATION AND LEAN PRODUCTION SYSTEM	MACHINE GUARD AND ENCLOUSURE SYSTEM
-------------------------	-------------------------	--	-------------------------------------

LINEAR MOTION SYSTEM	CLEAN ROOM SYSTEM
----------------------	-------------------

DRG. NO. 4463	MATERIAL ALUMINIUM ALLOY 6063 T6
APPROX. WT. 0.910 kg/mtr	REVISION