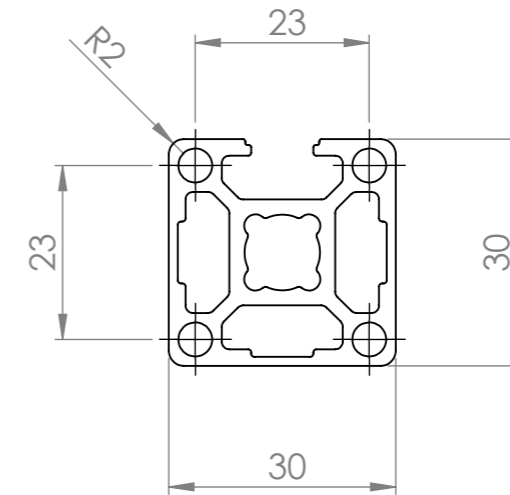
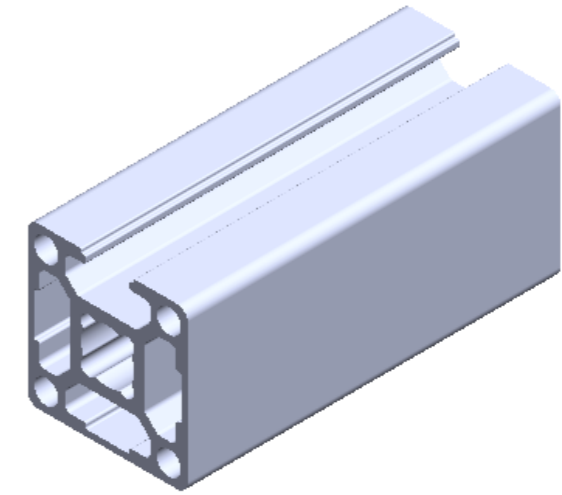
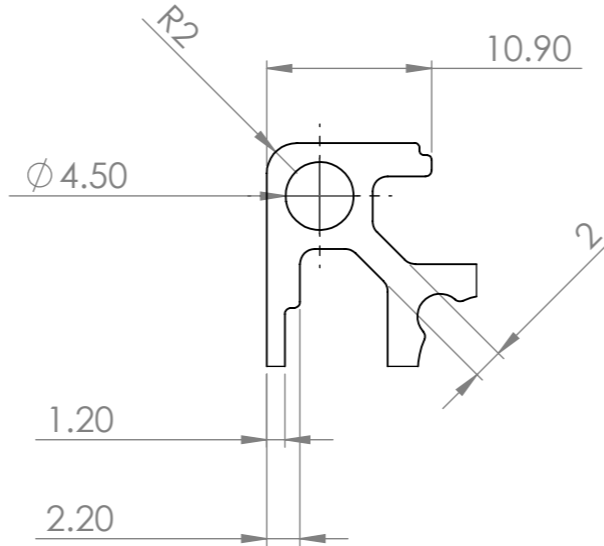
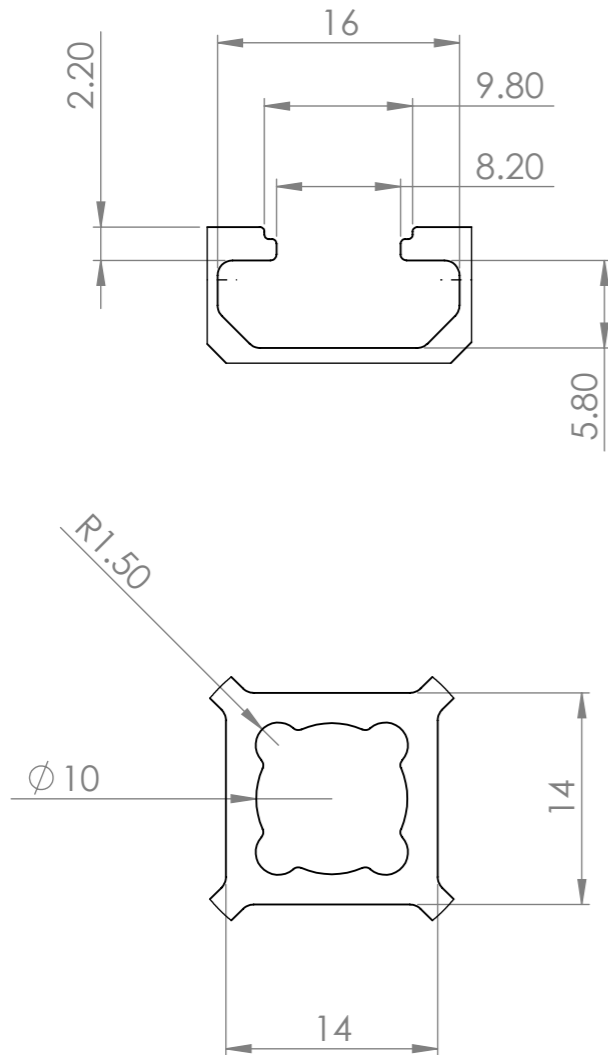


Profile Group - 30 Series

Part Code - PG30 3SC

Description - PG30 -3030H
Three Sides Closed



ALL DIMENSIONS
ARE IN MM



SICA INDIA
www.sica.in

DATE 03-06-2014
DRAWN BY Praful
CHECKED BY

PART NAME PG30 3SC

MODULAR ASSEMBLY SYSTEM	MODULAR CONVEYOR SYSTEM	ERGONOMIC WORKSTATION AND LEAN PRODUCTION SYSTEM	MACHINE GUARD AND ENCLOUSURE SYSTEM
-------------------------	-------------------------	--	-------------------------------------

LINEAR MOTION SYSTEM	CLEAN ROOM SYSTEM
----------------------	-------------------

DRG. NO. 4461	MATERIAL ALUMINIUM ALLOY 6063 T6
APPROX. WT. 0.945 kg/mtr	REVISION