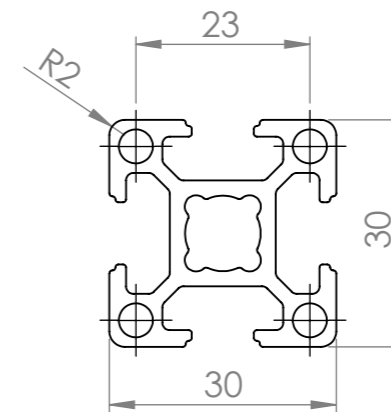
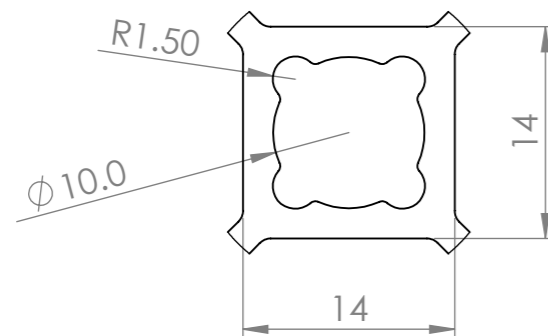
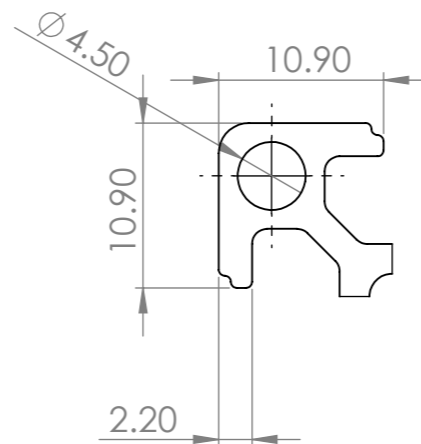
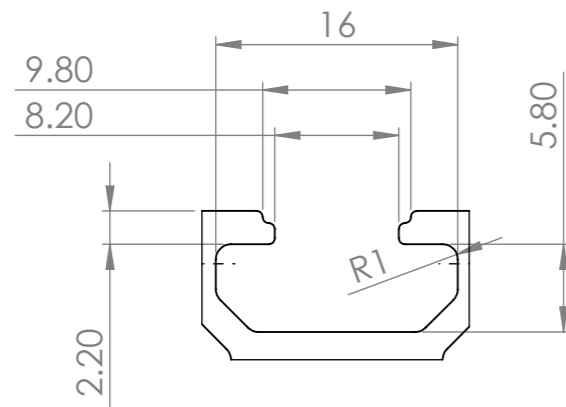
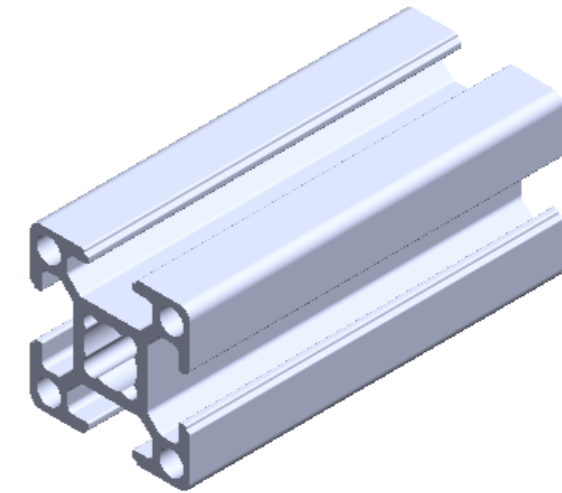


Profile Group - 30 Series

Part Code - PG 3030H

Description - PG30 30X30 H



ALL DIMENSIONS
ARE IN MM



SICA INDIA
www.sica.in

DATE 07-01-2012
DRAWN BY Praful
CHECKED BY

PART NAME PG 3030H

MODULAR
ASSEMBLY
SYSTEM

MODULAR
CONVEYOR
SYSTEM

ERGONOMIC
WORKSTATION AND
LEAN PRODUCTION
SYSTEM

MACHINE GUARD
AND
ENCLOUSURE
SYSTEM

LINEAR
MOTION
SYSTEM

CLEAN
ROOM
SYSTEM

DRG. NO. 4440

MATERIAL ALUMINIUM
ALLOY 6063T6

APPROX. WT. 0.850 kg/mtr

REVISION