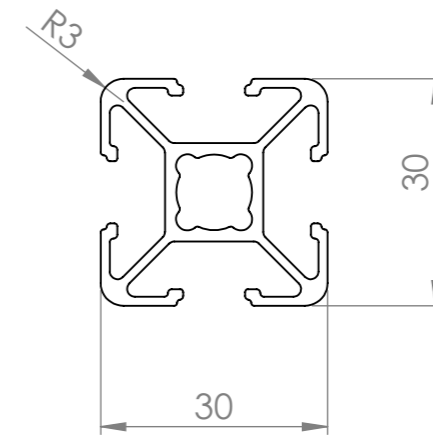
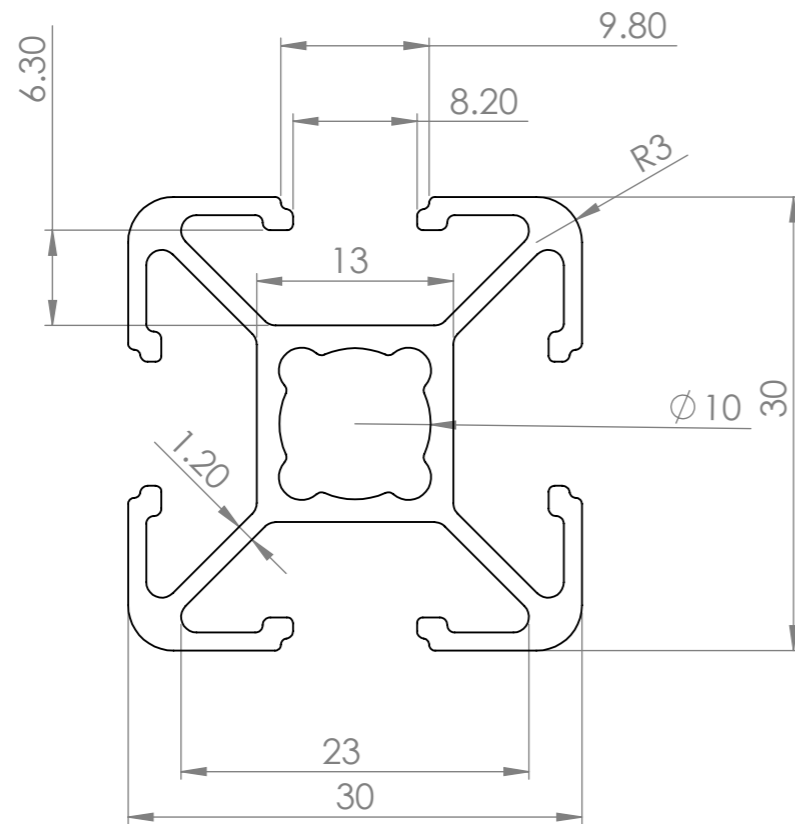
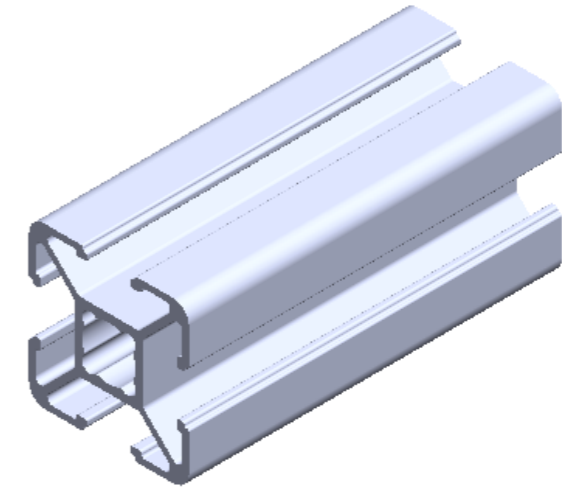


Profile Group - 30 Series

Part Code - PG 3030 M

Description - PG30 30X30 4 SLOTS



ALL DIMENSIONS ARE IN MM



SICA INDIA
www.sica.in

DATE 25-07-2012
DRAWN BY Praful
CHECKED BY

PART NAME PG 3030 M

MODULAR ASSEMBLY SYSTEM	MODULAR CONVEYOR SYSTEM	ERGONOMIC WORKSTATION AND LEAN PRODUCTION SYSTEM	MACHINE GUARD AND ENCLOUSURE SYSTEM
-------------------------	-------------------------	--	-------------------------------------

LINEAR MOTION SYSTEM	CLEAN ROOM SYSTEM
----------------------	-------------------

DRG. NO.	4442	MATERIAL	ALUMINIUM ALLOY 6063 T6
APPROX. WT.	0.640 kg/mtr	REVISION	