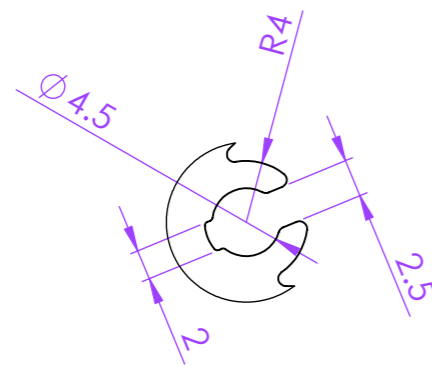
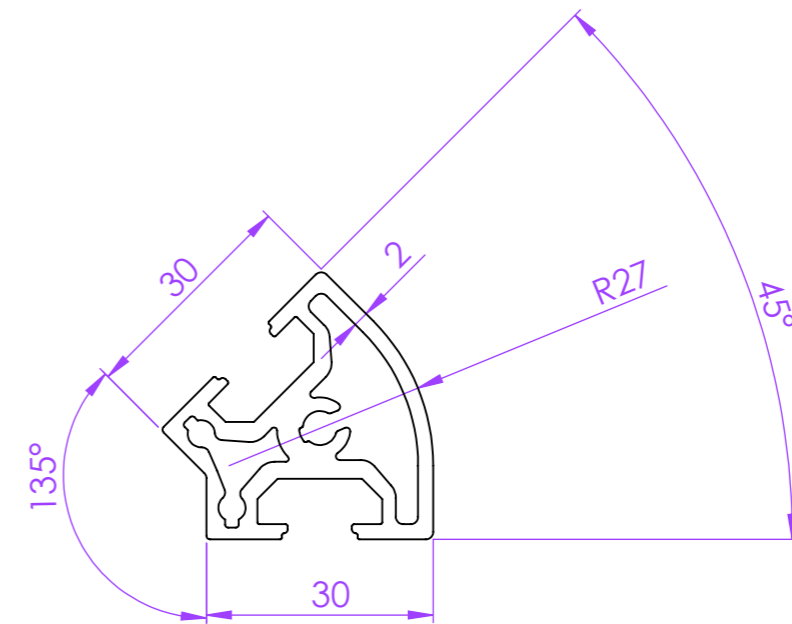
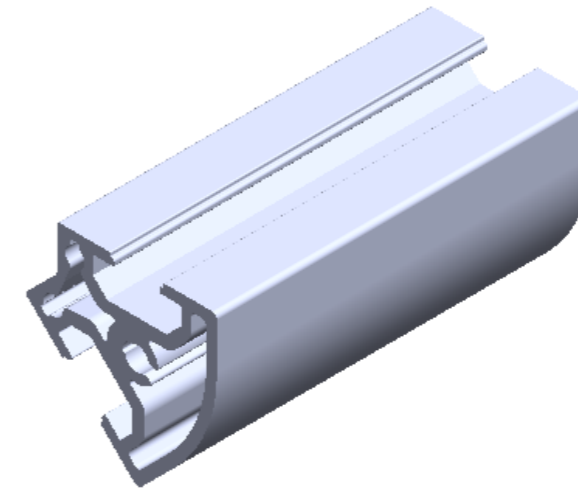
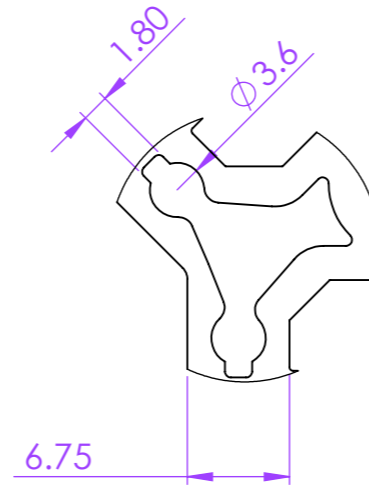
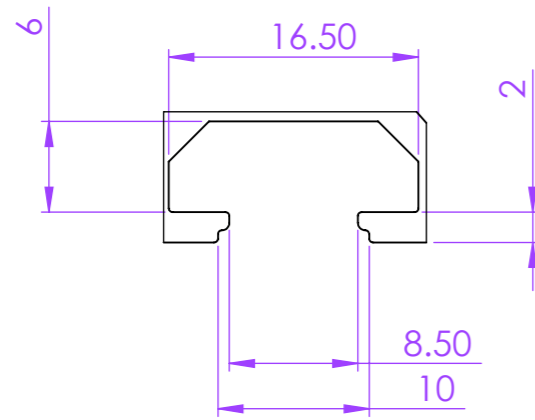


Profile Group - 30 Series

Part Code - PG3030 R45

Description - PG 30 - 30 x 30 R45 2 slots



ALL DIMENSIONS
ARE IN MM



SICA INDIA
www.sica.in

DATE 10-10-2014

DRAWN BY Praful

CHECKED BY

PART NAME PG3030 R45

DRG. NO.

MATERIAL ALUMINIUM
ALLOY 6063 T6

APPROX. WT.

REVISION

MODULAR
ASSEMBLY
SYSTEM

MODULAR
CONVEYOR
SYSTEM

ERGONOMIC
WORKSTATION AND
LEAN PRODUCTION
SYSTEM

MACHINE GUARD
AND
ENCLOUSURE
SYSTEM

LINEAR
MOTION
SYSTEM

CLEAN
ROOM
SYSTEM