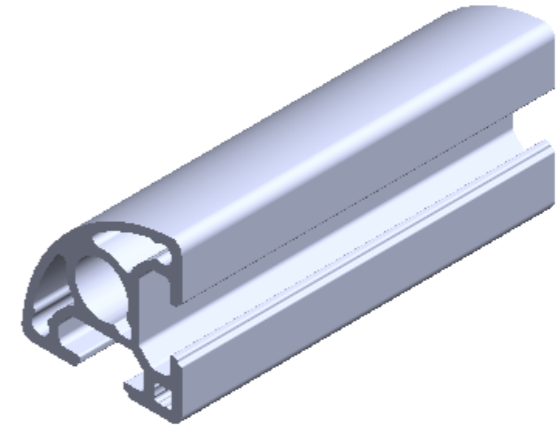
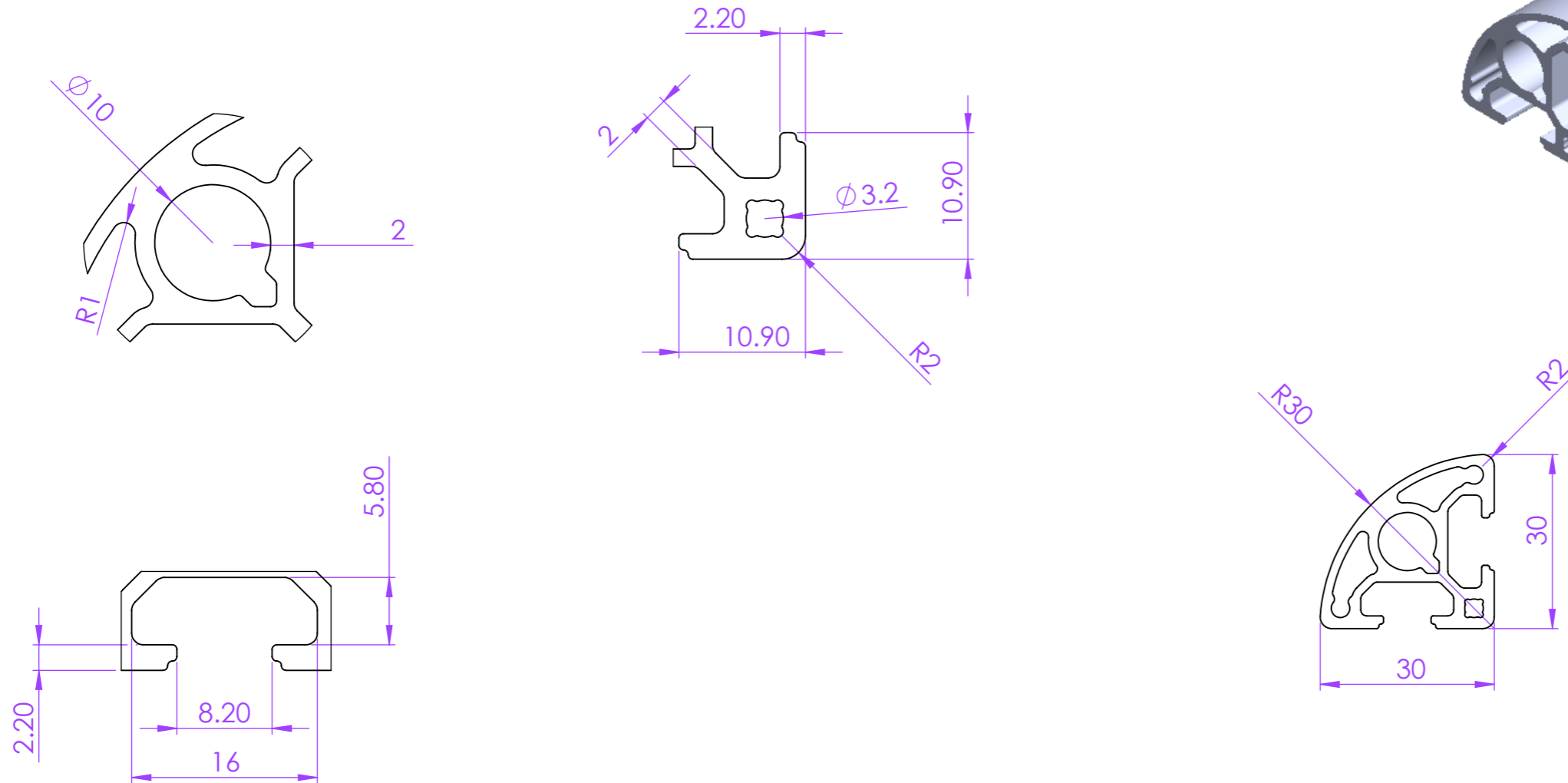


**Profile Group -** 40 Series

**Part Code -** PG3030 R90

**Description -** PG 30 - 30 x 30  
R90 2 slots



ALL DIMENSIONS  
ARE IN MM



**SICA INDIA**  
www.sica.in

DATE 20-07-2014  
DRAWN BY Praful  
CHECKED BY

**PART NAME**  
PG3030 R90

MODULAR ASSEMBLY SYSTEM	MODULAR CONVEYOR SYSTEM	ERGONOMIC WORKSTATION AND LEAN PRODUCTION SYSTEM	MACHINE GUARD AND ENCLOUSURE SYSTEM
-------------------------	-------------------------	--	-------------------------------------

LINEAR MOTION SYSTEM	CLEAN ROOM SYSTEM
----------------------	-------------------

DRG. NO. 4465	MATERIAL ALUMINIUM ALLOY 6063T6
APPROX. WT. 0.750 kg/mtr	REVISION