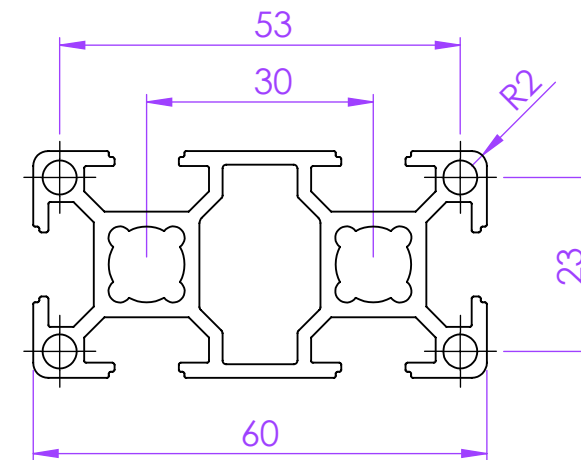
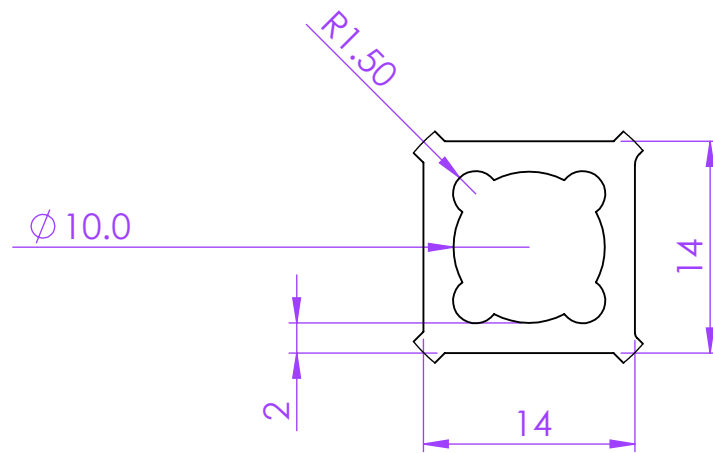
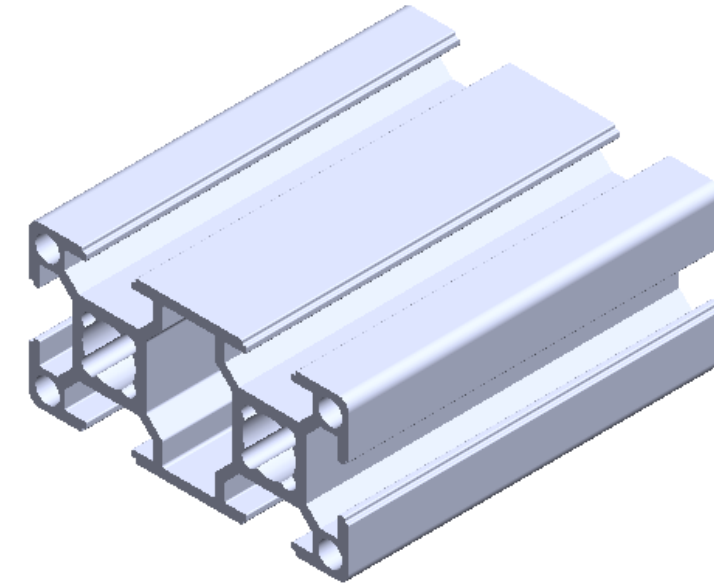
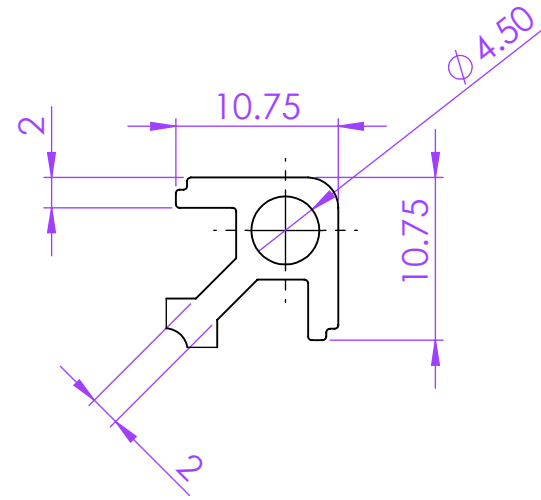
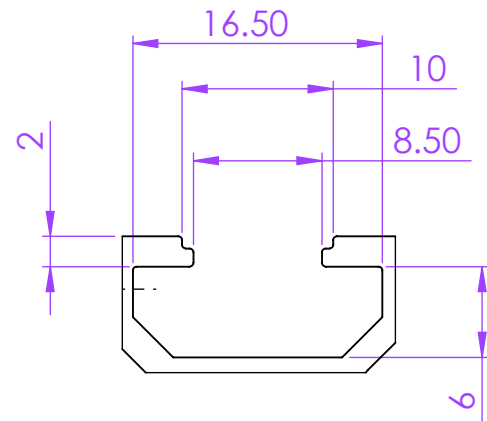


Profile Group - 30 Series

Part Code - PG 30 3060

Description - PG 30 - 30 x 60 6 slots



ALL DIMENSIONS ARE IN MM



SICA INDIA
www.sica.in

DATE 06-06-2015
DRAWN BY Praful
CHECKED BY

PART NAME PG 30 3060

MODULAR ASSEMBLY SYSTEM **MODULAR CONVEYOR SYSTEM** **ERGONOMIC WORKSTATION AND LEAN PRODUCTION SYSTEM** **MACHINE GUARD AND ENCLOSURE SYSTEM**

LINEAR MOTION SYSTEM **CLEAN ROOM SYSTEM**

DRG. NO. **MATERIAL** ALUMINIUM ALLOY 6063 T6
APPROX. WT. 1.440 kg/mtr **REVISION**