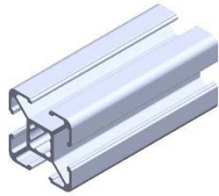
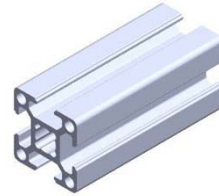


30 GROUP



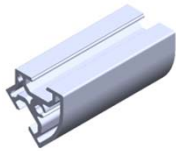
PG30 3030M



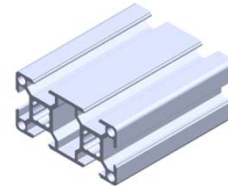
PG30 3030H



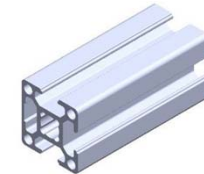
PG30 3030R90



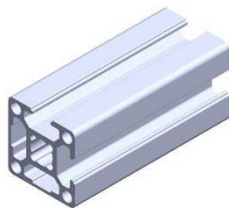
PG30 3030R45



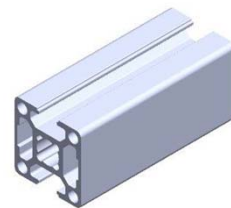
PG30 3060



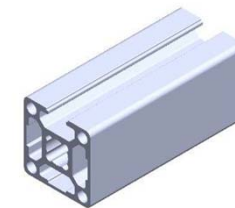
PG30 3030 OSC



PG30 3030 2SSC



PG30 3030 2OSC

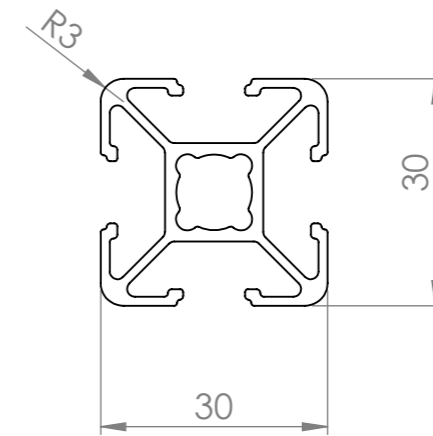
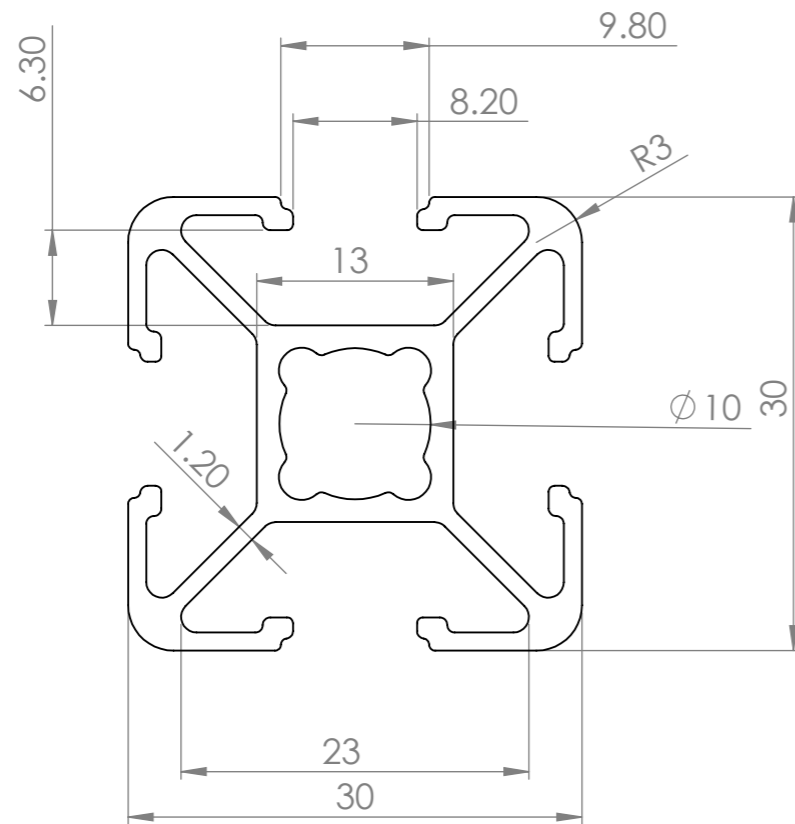
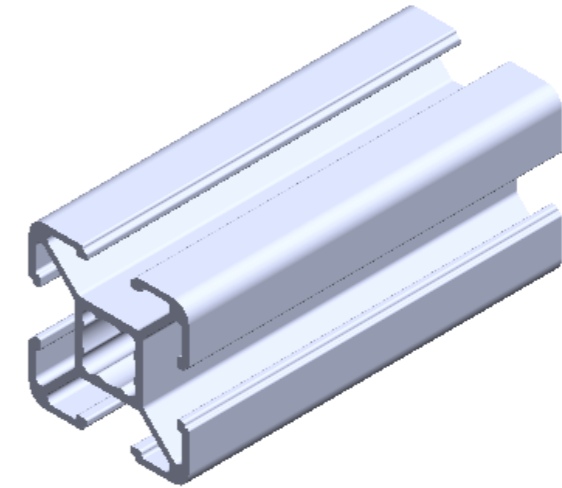


PG30 3030 3SC

Profile Group - 30 Series

Part Code - PG 3030 M

Description - PG30 30X30 4 SLOTS



ALL DIMENSIONS ARE IN MM



SICA INDIA
www.sica.in

DATE 25-07-2012
DRAWN BY Praful
CHECKED BY

PART NAME PG 3030 M

MODULAR ASSEMBLY SYSTEM **MODULAR CONVEYOR SYSTEM** **ERGONOMIC WORKSTATION AND LEAN PRODUCTION SYSTEM** **MACHINE GUARD AND ENCLOUSURE SYSTEM**

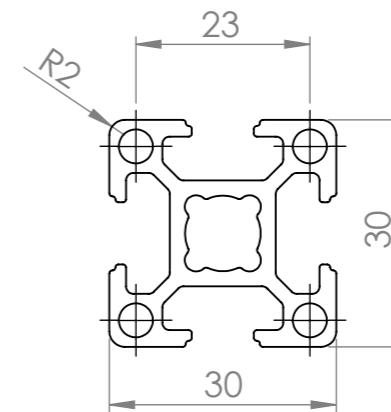
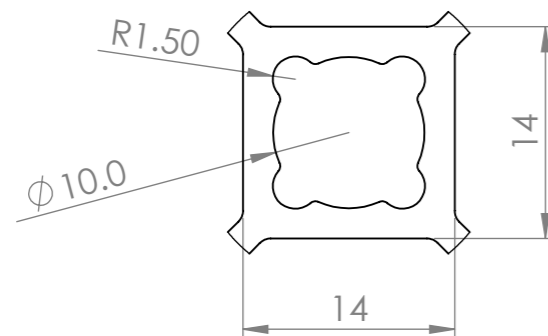
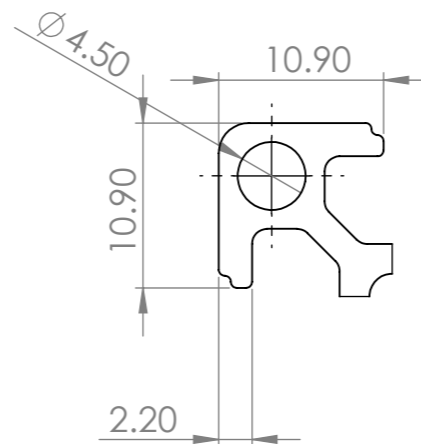
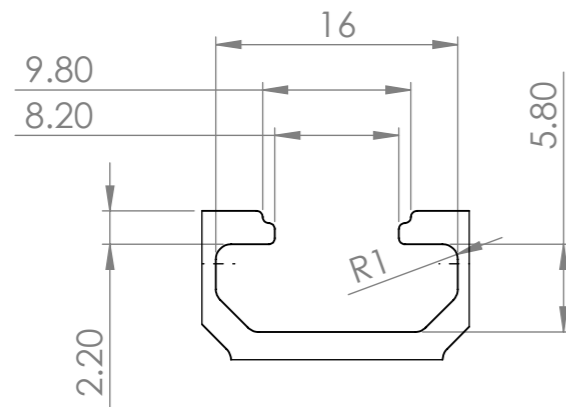
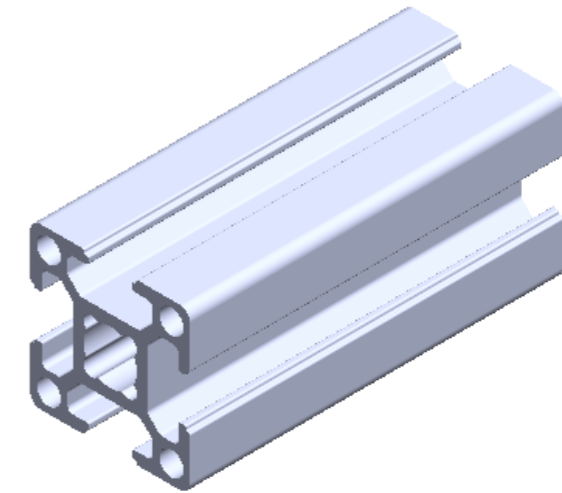
LINEAR MOTION SYSTEM **CLEAN ROOM SYSTEM**

DRG. NO. 4442 **MATERIAL** ALUMINIUM ALLOY 6063 T6
APPROX. WT. 0.640 kg/mtr **REVISION**

Profile Group - 30 Series

Part Code - PG 3030H

Description - PG30 30X30 H



ALL DIMENSIONS
ARE IN MM



SICA INDIA
www.sica.in

DATE 07-01-2012
DRAWN BY Praful
CHECKED BY

PART NAME PG 3030H

DRG. NO. 4440

MATERIAL ALUMINIUM
ALLOY 6063T6

APPROX. WT. 0.850 kg/mtr

REVISION

**MODULAR
ASSEMBLY
SYSTEM**

**MODULAR
CONVEYOR
SYSTEM**

**ERGONOMIC
WORKSTATION AND
LEAN PRODUCTION
SYSTEM**

**MACHINE GUARD
AND
ENCLOUSURE
SYSTEM**

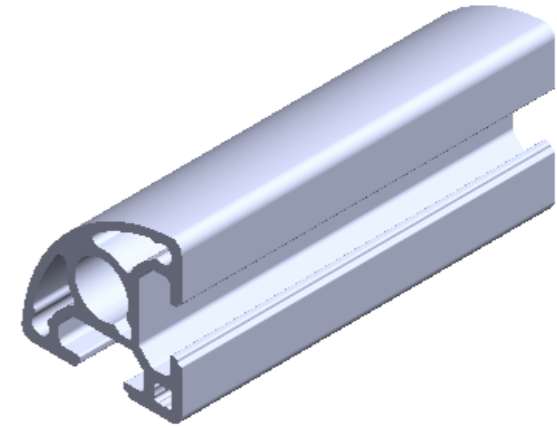
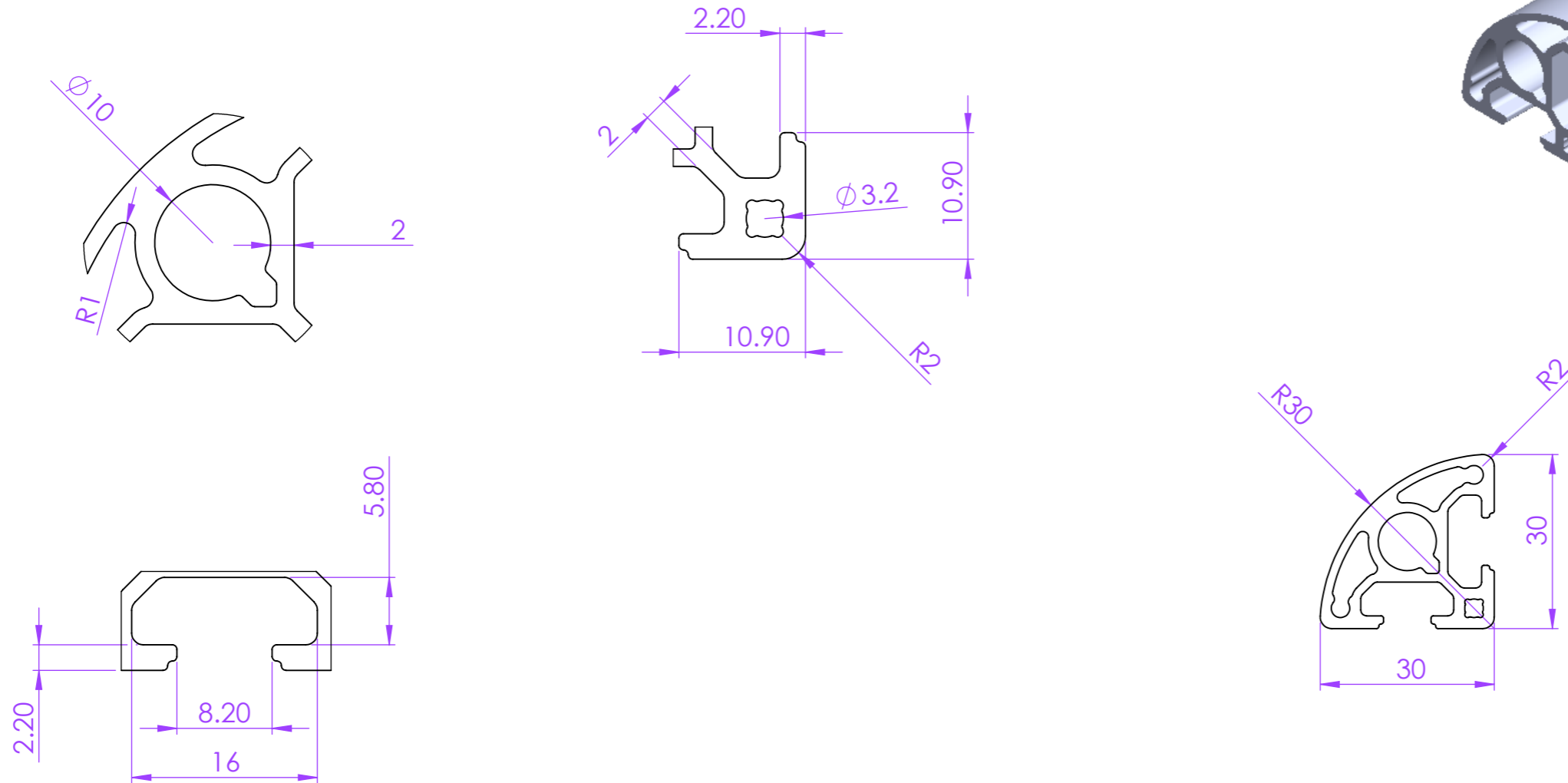
**LINEAR
MOTION
SYSTEM**

**CLEAN
ROOM
SYSTEM**

Profile Group - 40 Series

Part Code - PG3030 R90

Description - PG 30 - 30 x 30
R90 2 slots



ALL DIMENSIONS
ARE IN MM



SICA INDIA
www.sica.in

DATE 20-07-2014
DRAWN BY Praful
CHECKED BY

PART NAME
PG3030 R90

MODULAR ASSEMBLY SYSTEM	MODULAR CONVEYOR SYSTEM	ERGONOMIC WORKSTATION AND LEAN PRODUCTION SYSTEM	MACHINE GUARD AND ENCLOUSURE SYSTEM
-------------------------	-------------------------	--	-------------------------------------

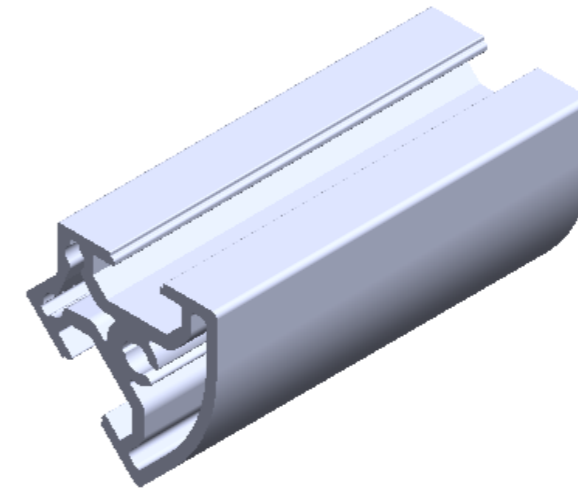
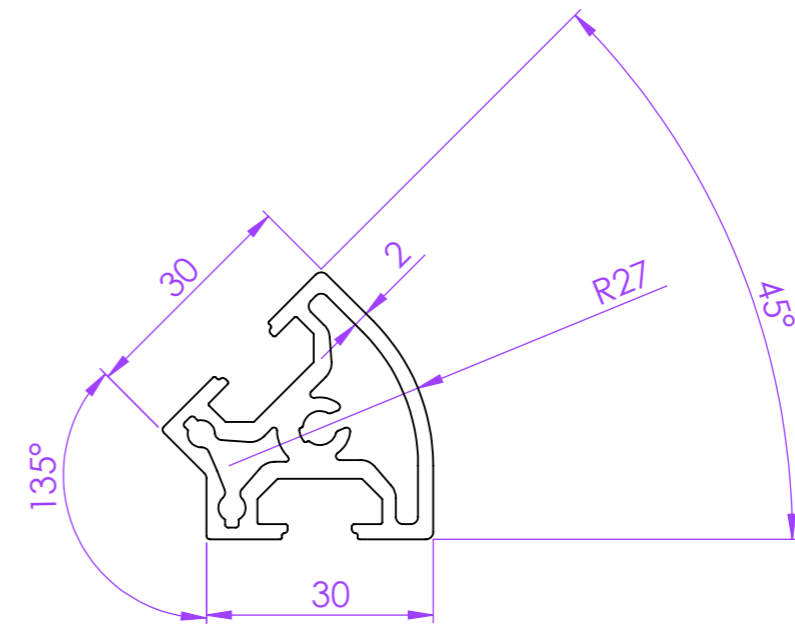
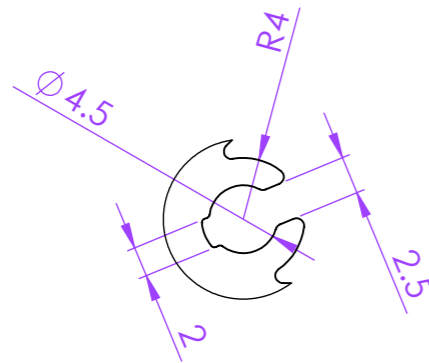
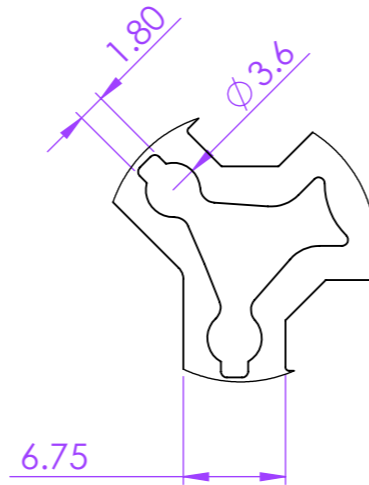
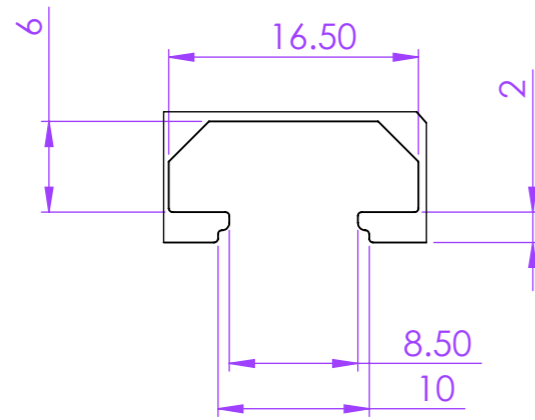
LINEAR MOTION SYSTEM	CLEAN ROOM SYSTEM
----------------------	-------------------

DRG. NO. 4465	MATERIAL ALUMINIUM ALLOY 6063T6
APPROX. WT. 0.750 kg/mtr	REVISION

Profile Group - 30 Series

Part Code - PG3030 R45

Description - PG 30 - 30 x 30 R45 2 slots



ALL DIMENSIONS
ARE IN MM



SICA INDIA
www.sica.in

DATE 10-10-2014
DRAWN BY Praful
CHECKED BY

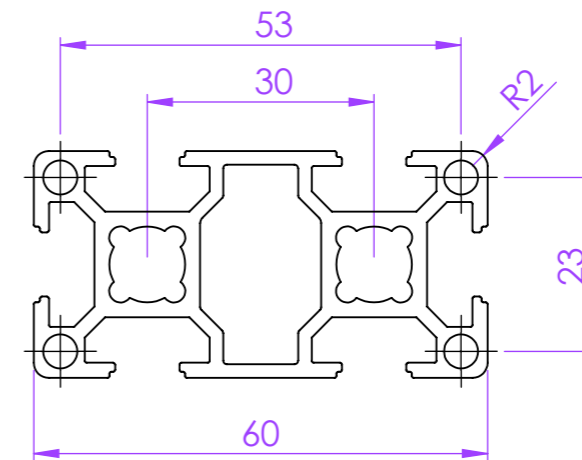
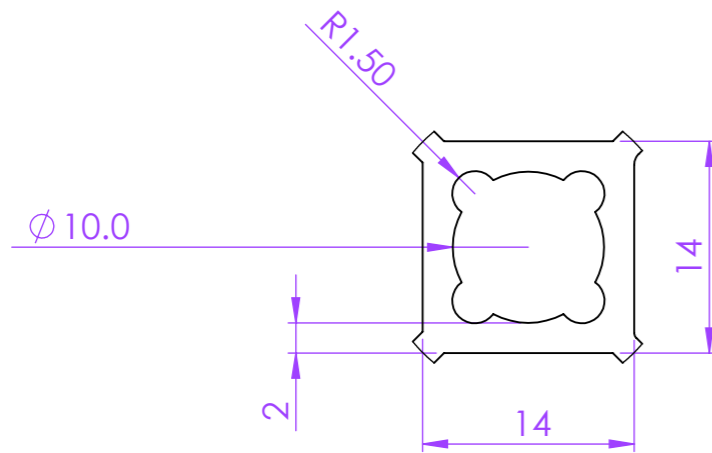
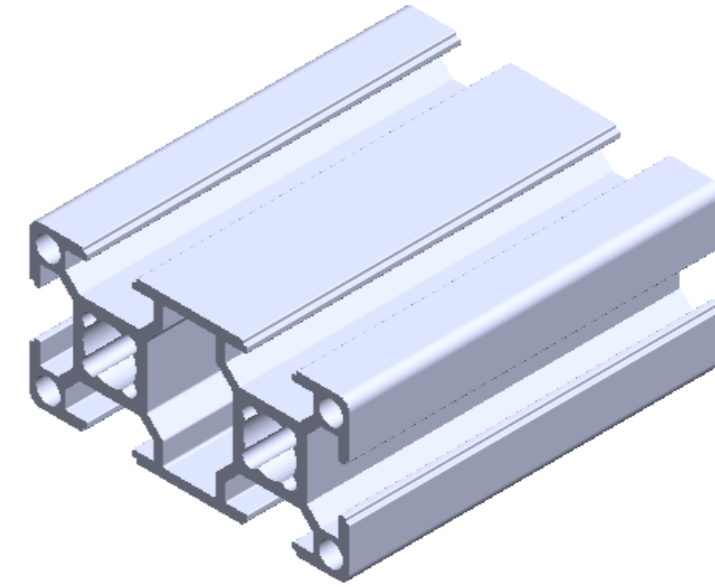
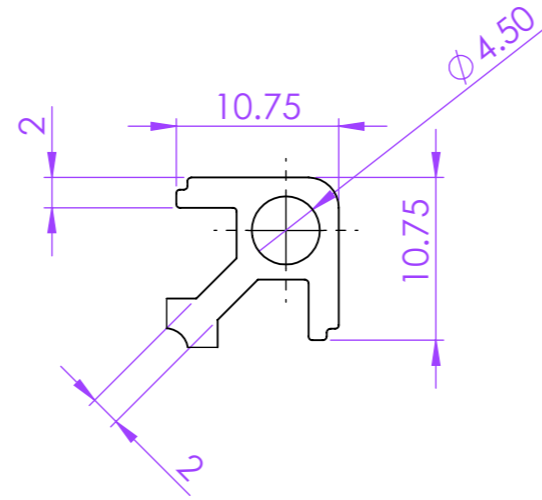
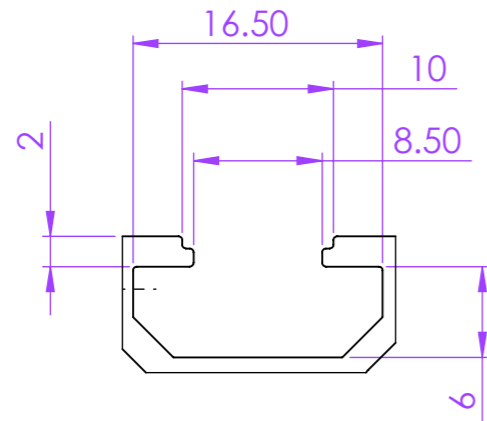
PART NAME PG3030 R45

MODULAR ASSEMBLY SYSTEM	MODULAR CONVEYOR SYSTEM	ERGONOMIC WORKSTATION AND LEAN PRODUCTION SYSTEM	MACHINE GUARD AND ENCLOSURE SYSTEM	LINEAR MOTION SYSTEM	CLEAN ROOM SYSTEM	DRG. NO.	MATERIAL ALUMINIUM ALLOY 6063 T6
						APPROX. WT.	

Profile Group - 30 Series

Part Code - PG 30 3060

Description - PG 30 - 30 x 60 6 slots



ALL DIMENSIONS ARE IN MM



SICA INDIA
www.sica.in

DATE 06-06-2015
DRAWN BY Praful
CHECKED BY

PART NAME PG 30 3060

MODULAR ASSEMBLY SYSTEM **MODULAR CONVEYOR SYSTEM** **ERGONOMIC WORKSTATION AND LEAN PRODUCTION SYSTEM** **MACHINE GUARD AND ENCLOUSURE SYSTEM**

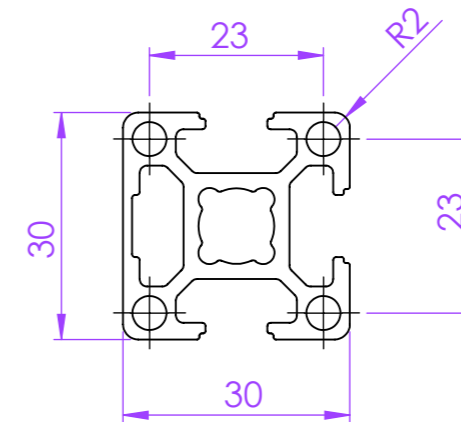
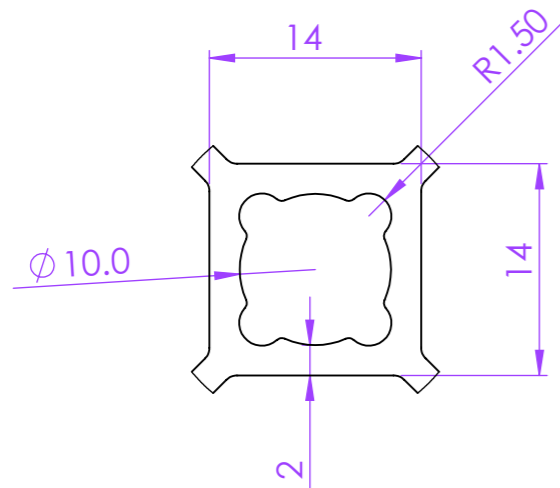
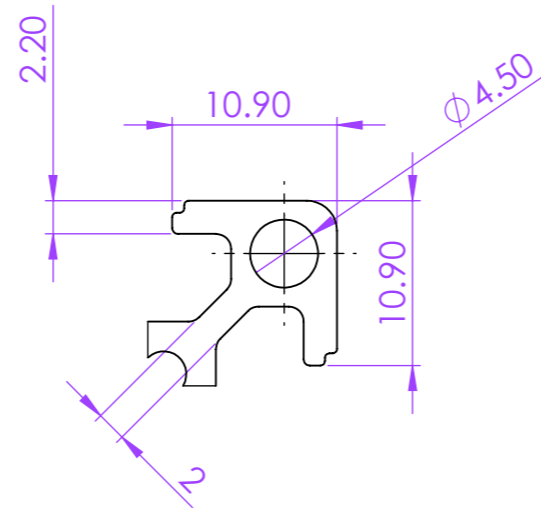
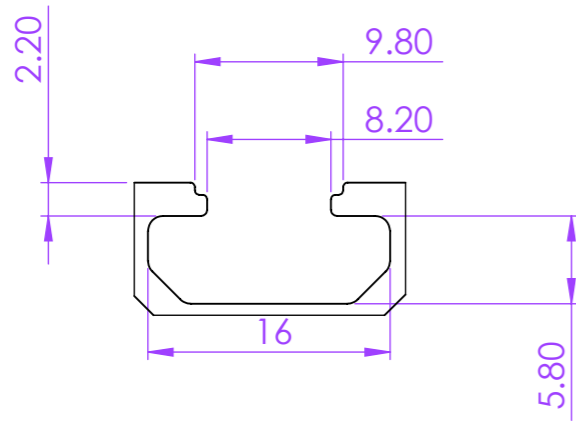
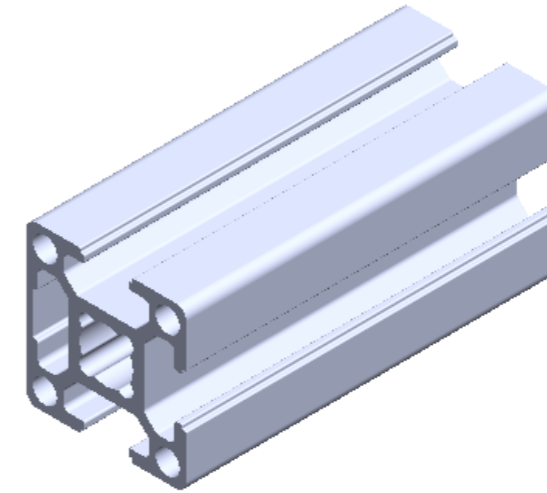
LINEAR MOTION SYSTEM **CLEAN ROOM SYSTEM**

DRG. NO. **MATERIAL** ALUMINIUM ALLOY 6063 T6
APPROX. WT. 1.440 kg/mtr **REVISION**

Profile Group - 30 Series

Part Code - PG30 OSC

Description - PG30 - 3030H
One Side Closed



ALL DIMENSIONS
ARE IN MM



SICA INDIA
www.sica.in

DATE 01-10-2014

DRAWN BY Praful

CHECKED BY

PART NAME PG30 OSC

MODULAR
ASSEMBLY
SYSTEM

MODULAR
CONVEYOR
SYSTEM

ERGONOMIC
WORKSTATION AND
LEAN PRODUCTION
SYSTEM

MACHINE GUARD
AND
ENCLOUSURE
SYSTEM

LINEAR
MOTION
SYSTEM

CLEAN
ROOM
SYSTEM

DRG. NO. 4471

MATERIAL ALUMINIUM
ALLOY 6063 T6

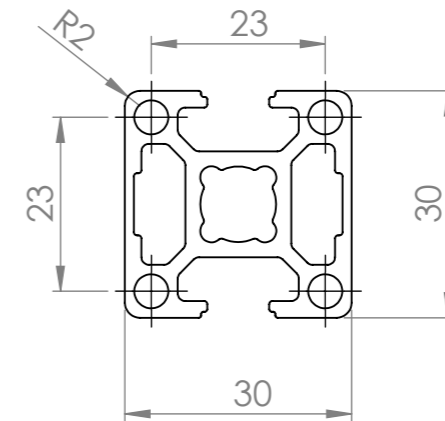
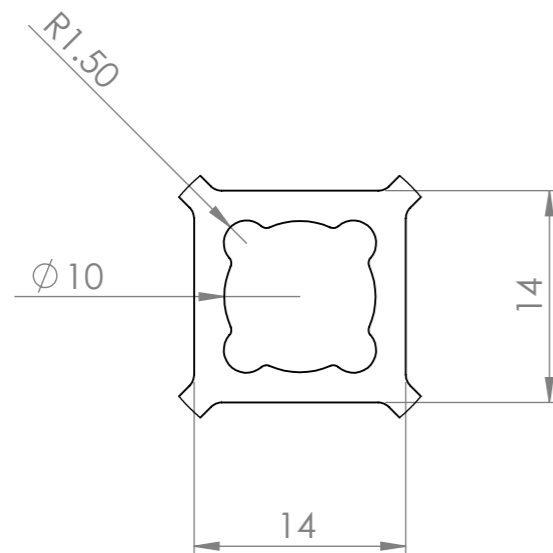
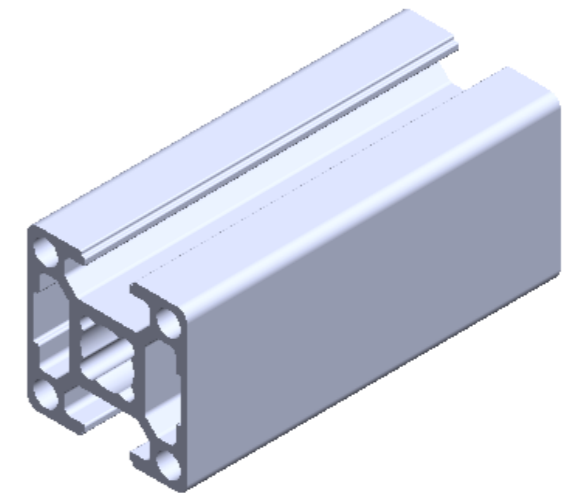
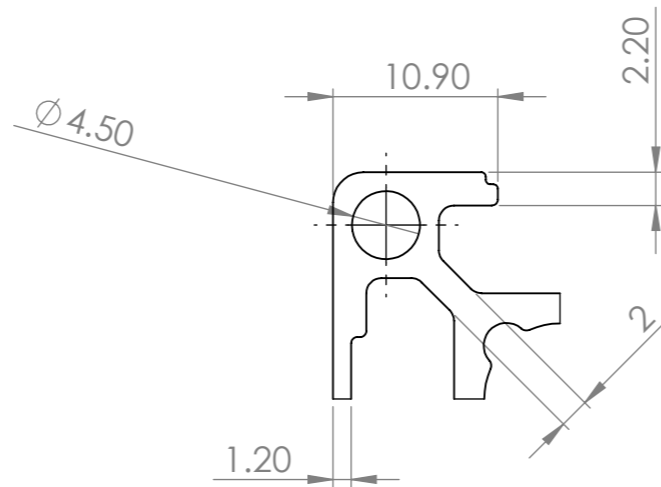
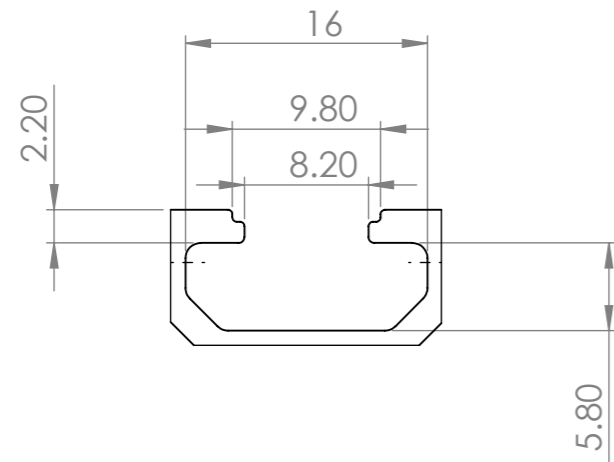
APPROX. WT. 0.880 kg/mtr

REVISION

Profile Group - 30 Series

Part Code - PG30 2OSC

Description - PG30 - 3030H Two Opposite Side Closed



ALL DIMENSIONS ARE IN MM



SICA INDIA
www.sica.in

DATE	30-06-2014
DRAWN BY	Praful
CHECKED BY	

PART NAME PG30 2OSC

DRG. NO. 4462	MATERIAL ALUMINIUM ALLOY 6063 T6
APPROX. WT. 0.910 kg/mtr	REVISION

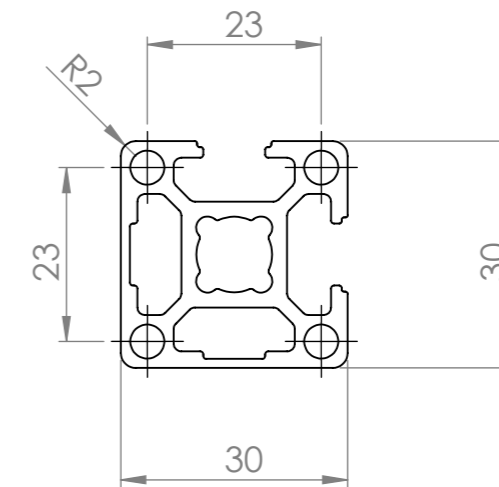
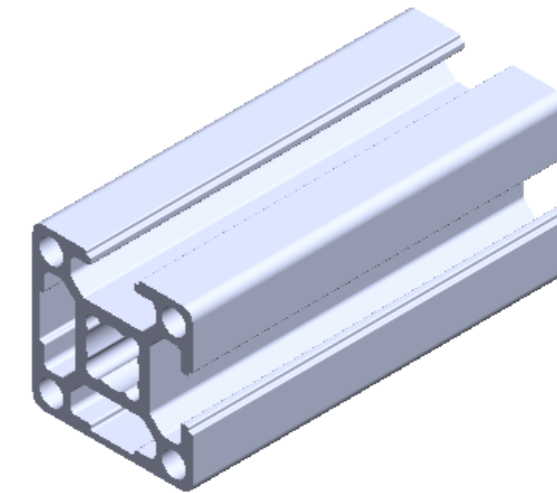
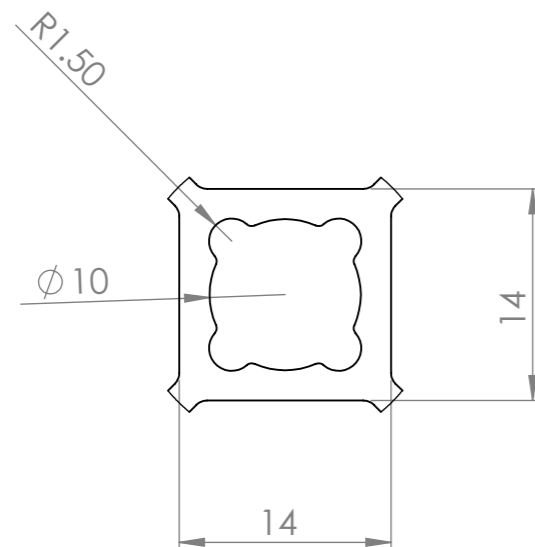
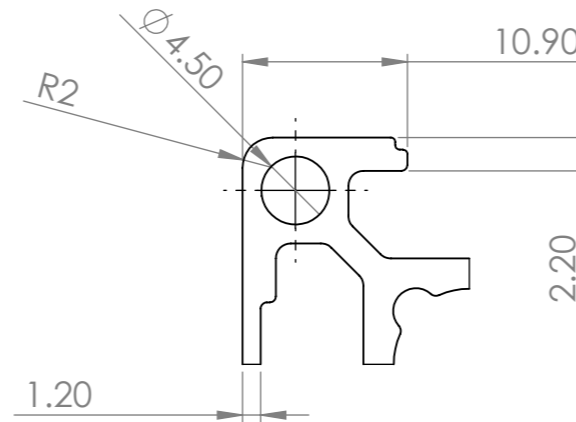
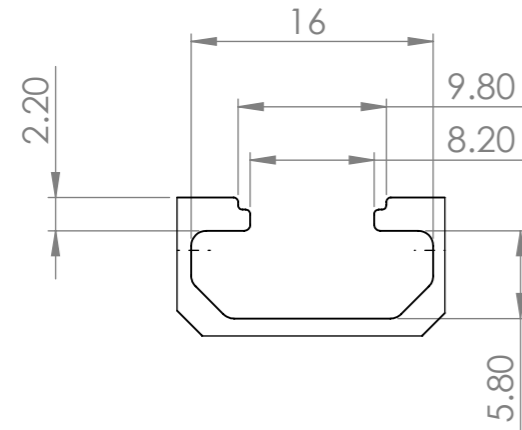
MODULAR ASSEMBLY SYSTEM	MODULAR CONVEYOR SYSTEM	ERGONOMIC WORKSTATION AND LEAN PRODUCTION SYSTEM	MACHINE GUARD AND ENCLOUSURE SYSTEM
--------------------------------	--------------------------------	---	--

LINEAR MOTION SYSTEM	CLEAN ROOM SYSTEM
-----------------------------	--------------------------

Profile Group - 30 Series

Part Code - PG30 2SSC

Description - PG30 - 3030H Two adjacent Side Closed



ALL DIMENSIONS
ARE IN MM



SICA INDIA
www.sica.in

DATE 30-06-2014
DRAWN BY Praful
CHECKED BY

PART NAME

PG30 2SSC

DRG. NO. 4463

MATERIAL ALUMINIUM
ALLOY 6063 T6

APPROX. WT. 0.910 kg/mtr

REVISION

**MODULAR
ASSEMBLY
SYSTEM**

**MODULAR
CONVEYOR
SYSTEM**

**ERGONOMIC
WORKSTATION AND
LEAN PRODUCTION
SYSTEM**

**MACHINE GUARD
AND
ENCLOUSURE
SYSTEM**

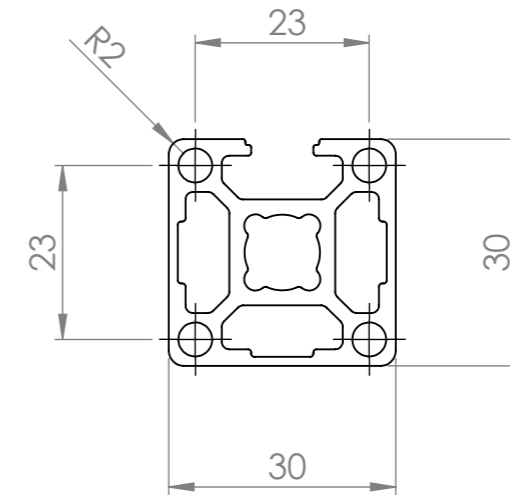
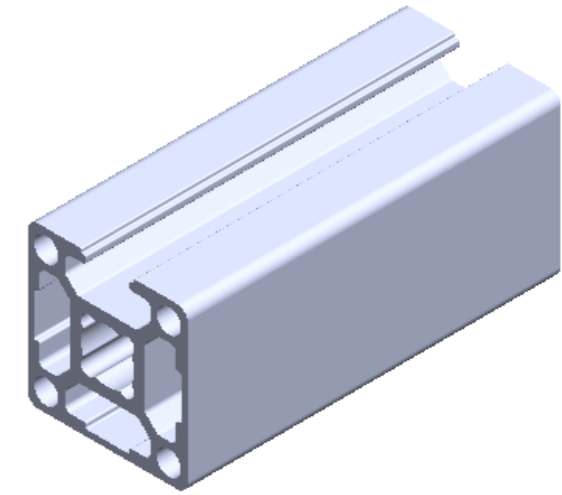
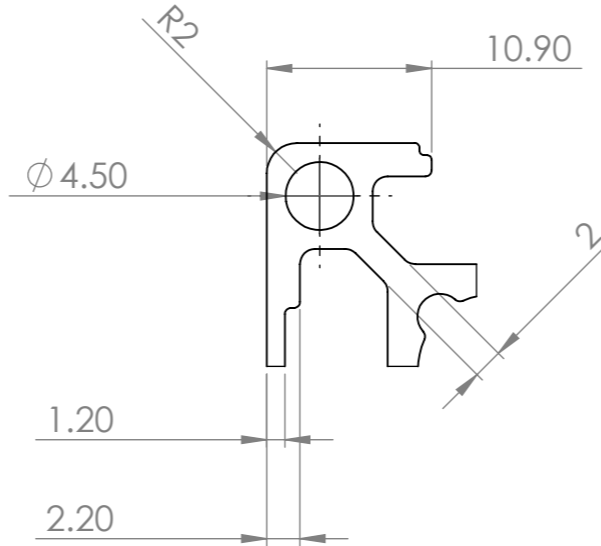
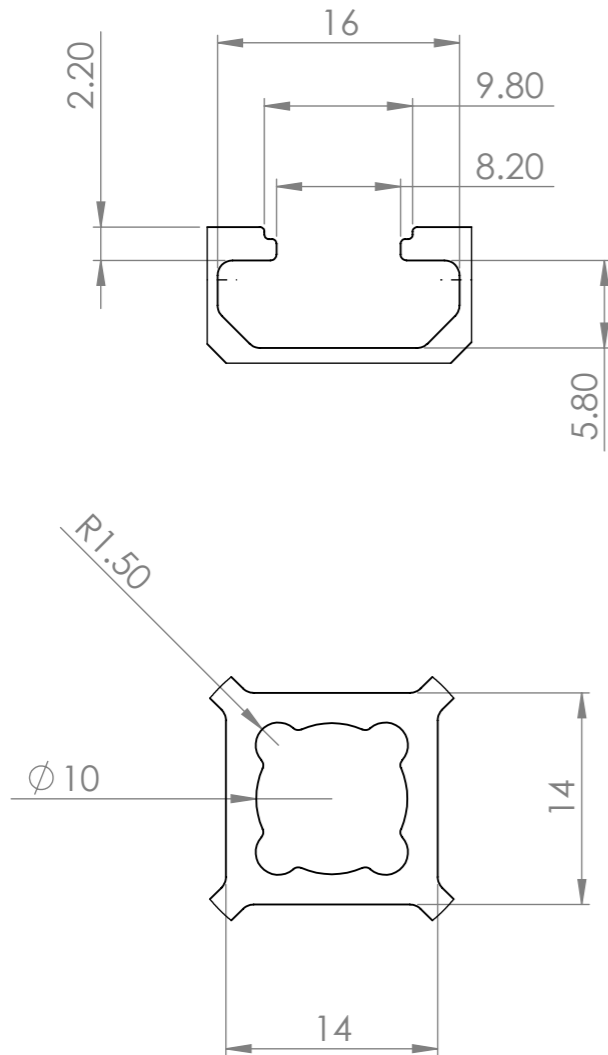
**LINEAR
MOTION
SYSTEM**

**CLEAN
ROOM
SYSTEM**

Profile Group - 30 Series

Part Code - PG30 3SC

Description - PG30 -3030H
Three Sides Closed



ALL DIMENSIONS
ARE IN MM



SICA INDIA
www.sica.in

DATE 03-06-2014
DRAWN BY Praful
CHECKED BY

PART NAME PG30 3SC

MODULAR
ASSEMBLY
SYSTEM

MODULAR
CONVEYOR
SYSTEM

ERGONOMIC
WORKSTATION AND
LEAN PRODUCTION
SYSTEM

MACHINE GUARD
AND
ENCLOSURE
SYSTEM

LINEAR
MOTION
SYSTEM

CLEAN
ROOM
SYSTEM

DRG. NO. 4461

MATERIAL ALUMINIUM
ALLOY 6063 T6

APPROX. WT. 0.945 kg/mtr

REVISION