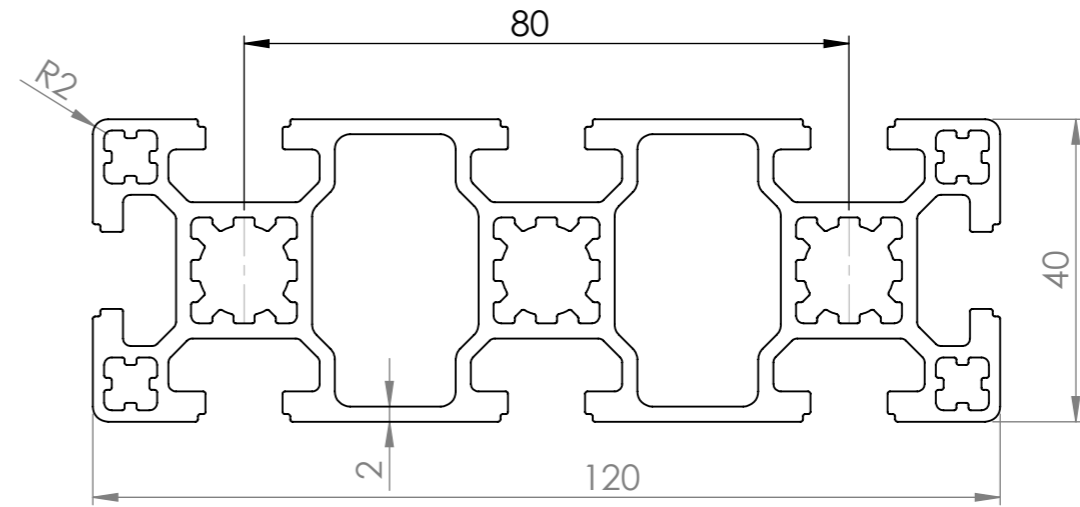
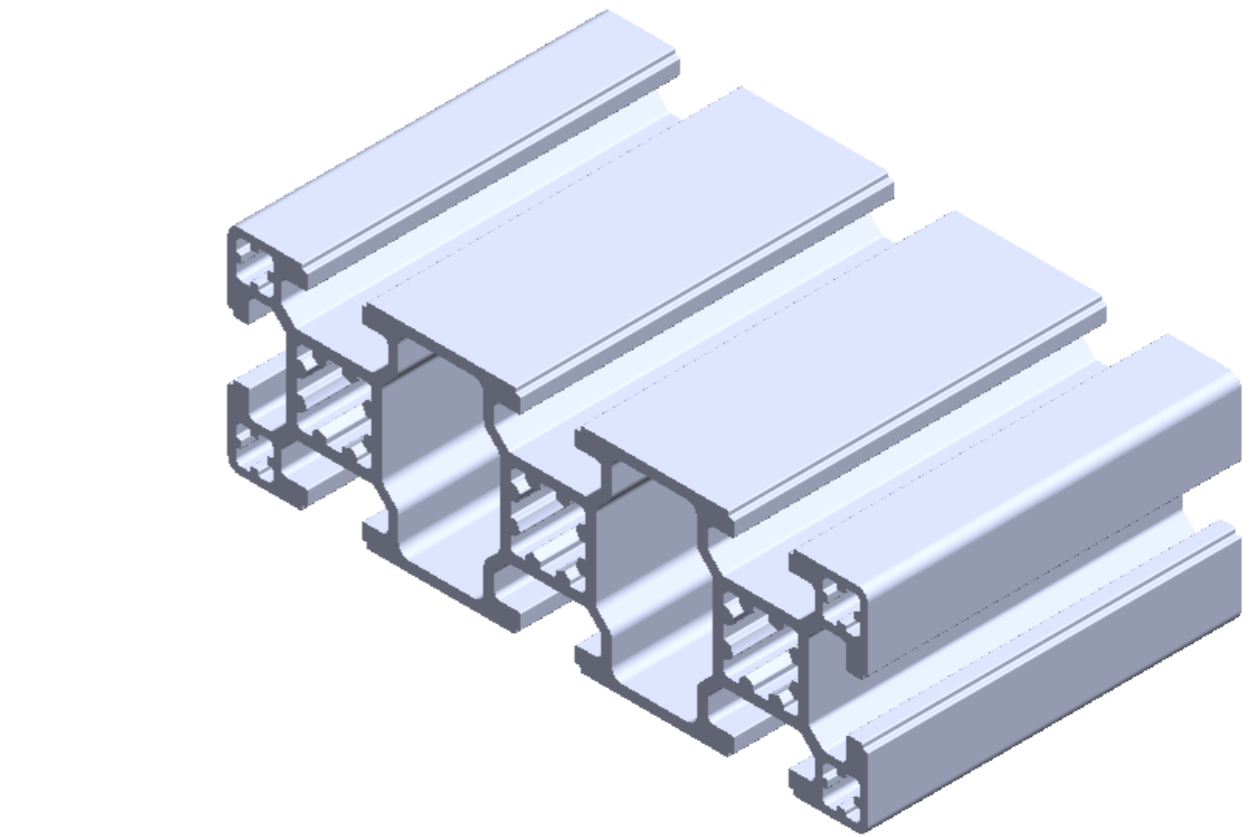
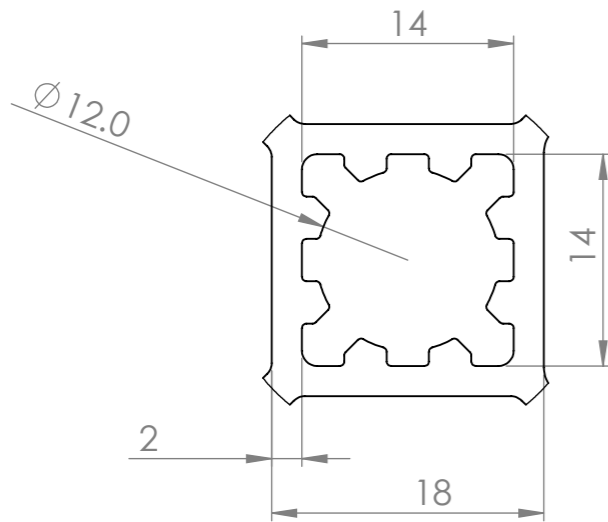
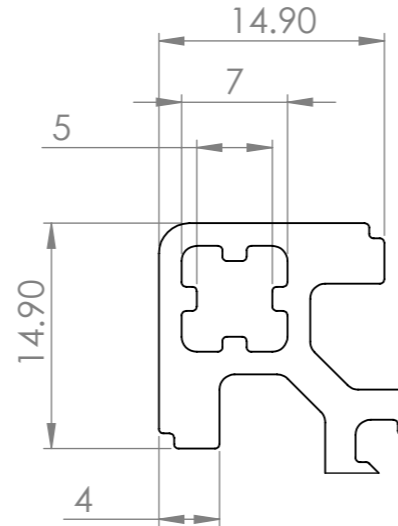
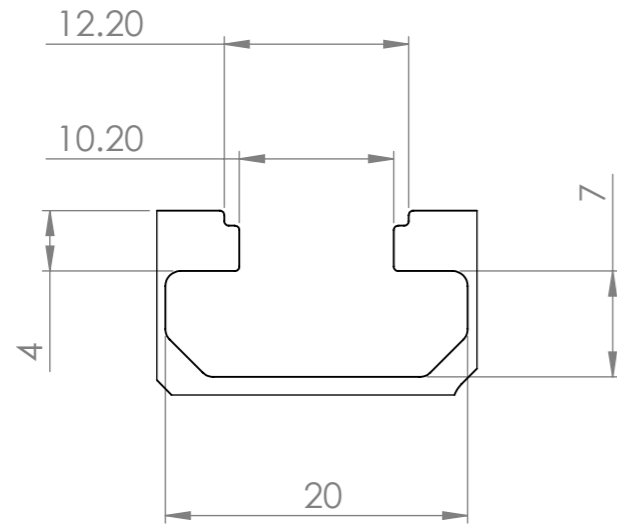


**Profile Group -** 40 Series

**Part Code -** PG 40120 H

**Description -** PG 40 - 40 x 120  
8 SLOTS



**ALL DIMENSIONS ARE IN MM**



**SICA INDIA**  
[www.sica.in](http://www.sica.in)

DATE	05-01-2013
DRAWN BY	Praful
CHECKED BY	

**PART NAME** PG 40120 H

DRG. NO.	4446	MATERIAL	ALUMINIUM ALLOY 6063 T6
APPROX. WT.	3.700 kg/mtr	REVISION	

MODULAR ASSEMBLY SYSTEM	MODULAR CONVEYOR SYSTEM	ERGONOMIC WORKSTATION AND LEAN PRODUCTION SYSTEM	MACHINE GUARD AND ENCLOUSURE SYSTEM
-------------------------	-------------------------	--	-------------------------------------

LINEAR MOTION SYSTEM	CLEAN ROOM SYSTEM
----------------------	-------------------