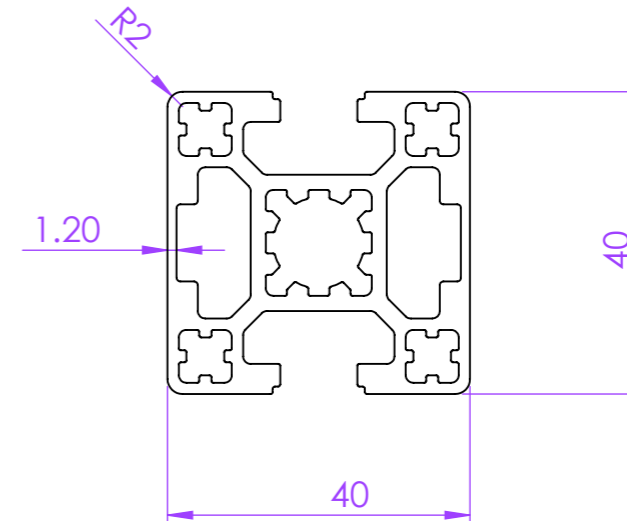
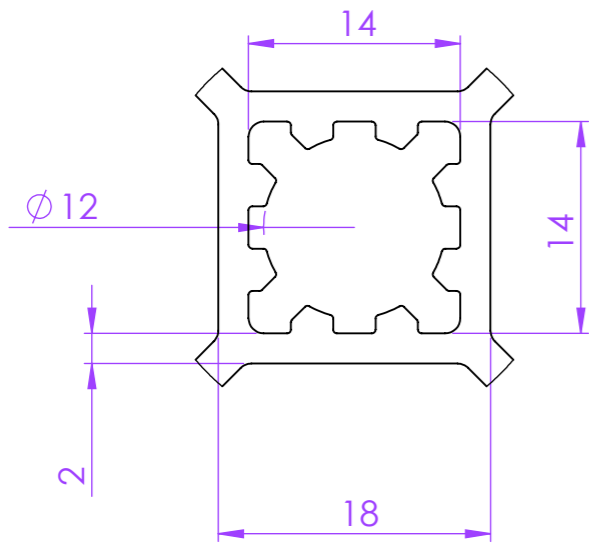
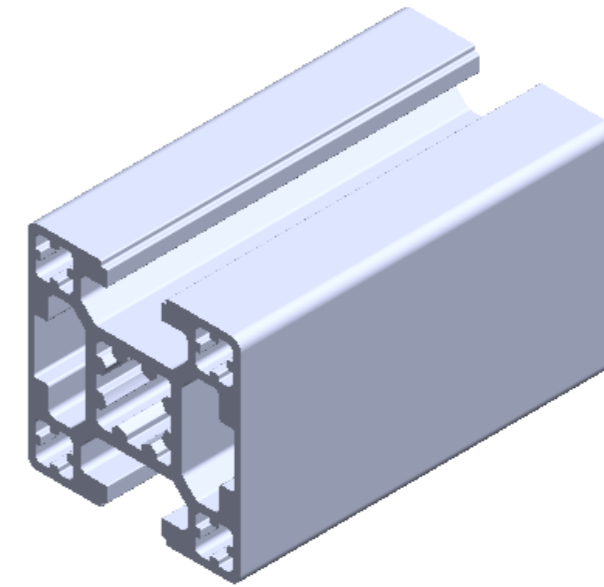
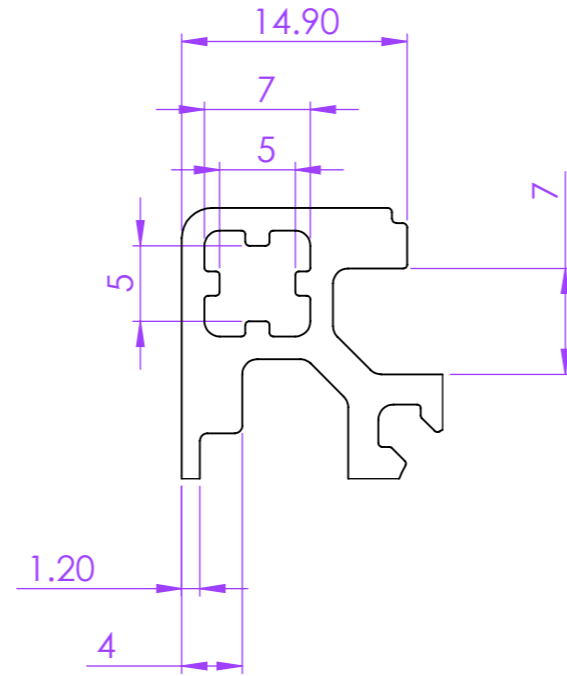
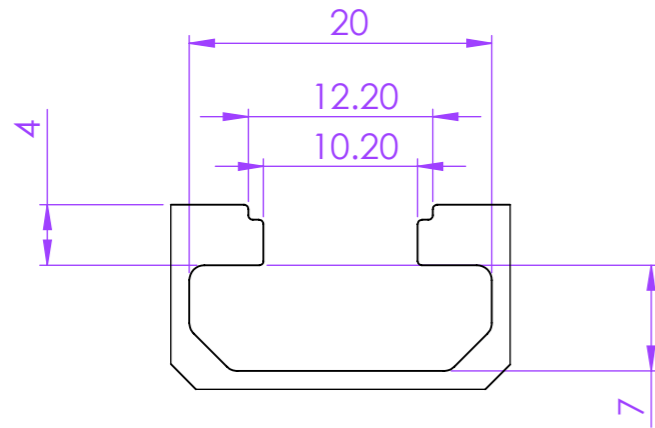


**Profile Group -** 40 Series

**Part Code -** PG40 2OSC

**Description -** PG 40 - 4040H Two Opposite Side Closed



ALL DIMENSIONS ARE IN MM



**SICA INDIA**  
www.sica.in

DATE 03-06-2014  
DRAWN BY Praful  
CHECKED BY

**PART NAME** PG40 2OSC

MODULAR ASSEMBLY SYSTEM

MODULAR CONVEYOR SYSTEM

ERGONOMIC WORKSTATION AND LEAN PRODUCTION SYSTEM

MACHINE GUARD AND ENCLOSURE SYSTEM

LINEAR MOTION SYSTEM

CLEAN ROOM SYSTEM

DRG. NO. 4466

MATERIAL ALUMINIUM ALLOY 6063 T6

APPROX. WT. 1.610 kg/mtr

REVISION