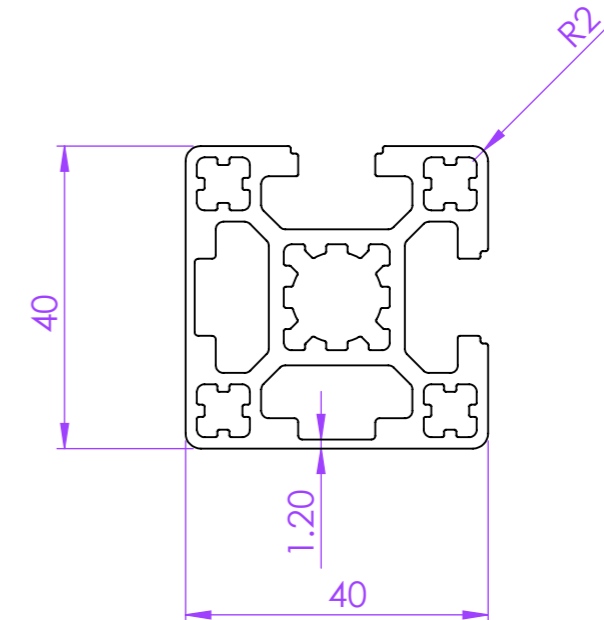
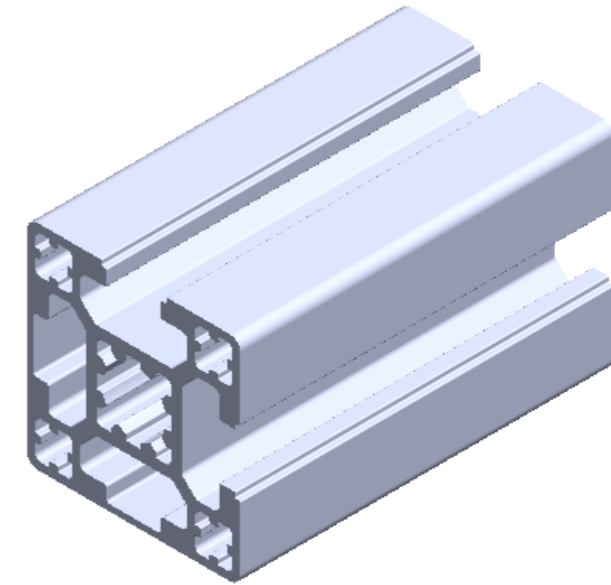
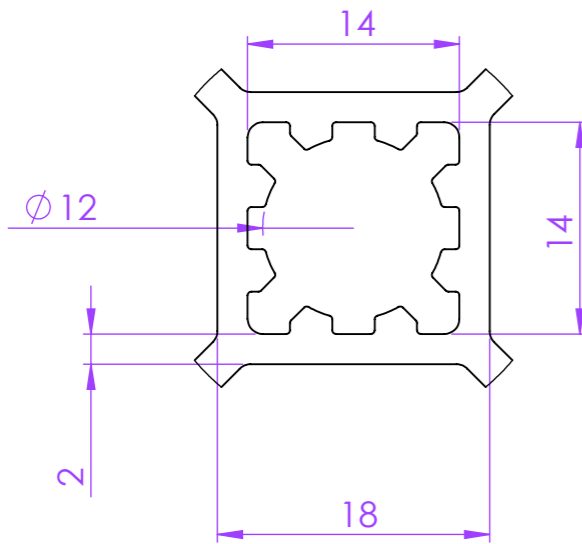
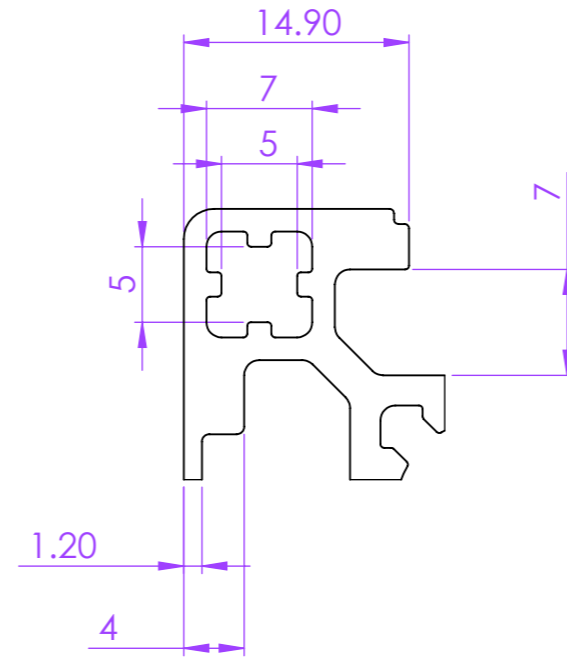
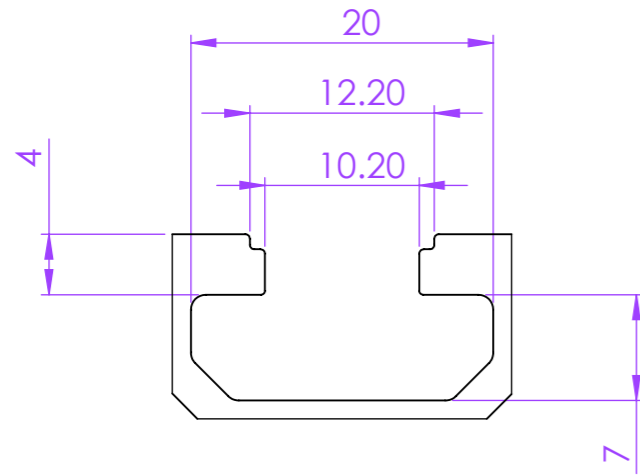


Profile Group - 40 Series

Part Code - PG40 2SSC

Description - PG 40 - 4040H Two Adjacent Side Closed



ALL DIMENSIONS ARE IN MM



SICA INDIA
www.sica.in

DATE 03-06-2014
DRAWN BY Praful
CHECKED BY

PART NAME PG40 2SSC

DRG. NO. 4467

MATERIAL ALUMINIUM ALLOY 6063 T6

APPROX. WT. 1.610 kg/mtr

REVISION

MODULAR ASSEMBLY SYSTEM

MODULAR CONVEYOR SYSTEM

ERGONOMIC WORKSTATION AND LEAN PRODUCTION SYSTEM

MACHINE GUARD AND ENCLOSURE SYSTEM

LINEAR MOTION SYSTEM

CLEAN ROOM SYSTEM