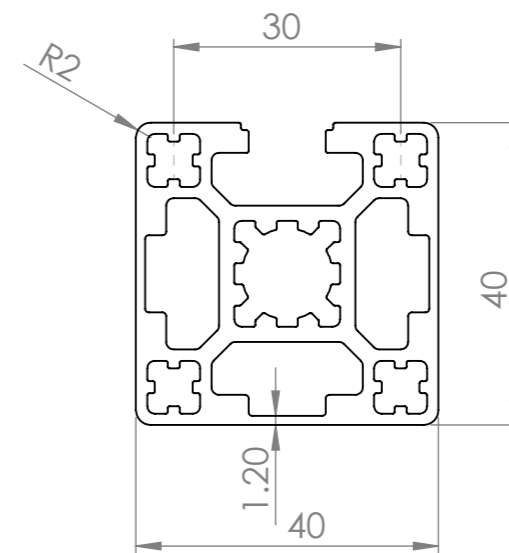
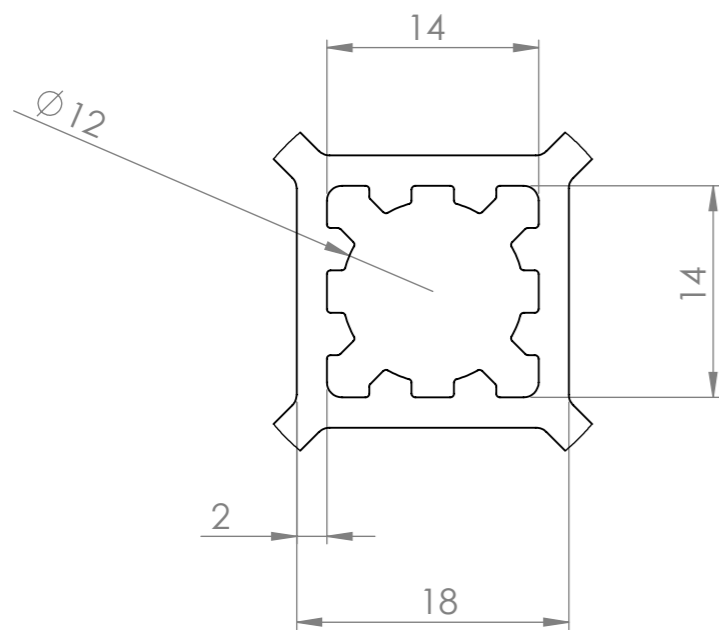
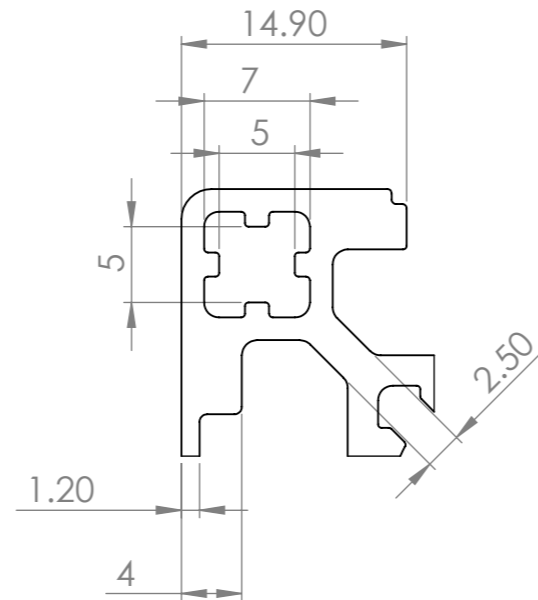
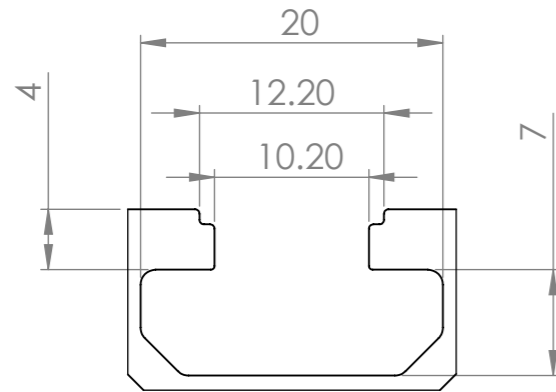
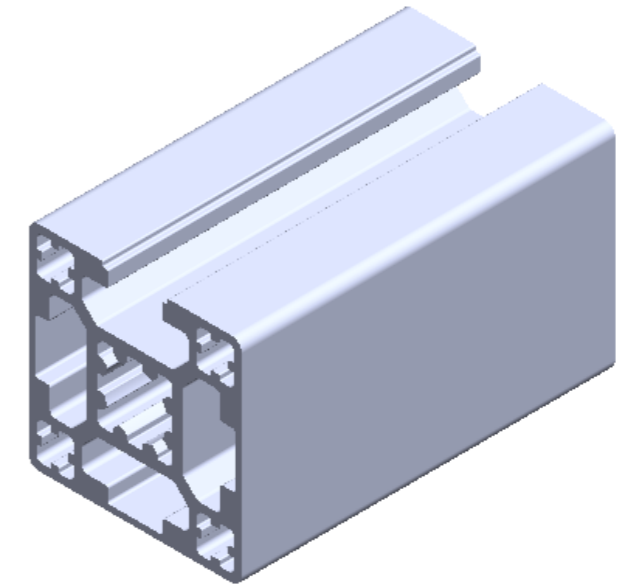


Profile Group -	40 Series
Part Code -	PG40 3SC
Description -	PG 40 - 4040H Three Sides Closed



ALL DIMENSIONS ARE IN MM



SICA INDIA
www.sica.in

DATE	03-06-2014
DRAWN BY	Praful
CHECKED BY	

PART NAME	PG40 3SC	
DRG. NO.	PG40 3SC	MATERIAL ALUMINIUM ALLOY 6063 T6
APPROX. WT.	1.650 kg/mtr	REVISION

MODULAR ASSEMBLY SYSTEM	MODULAR CONVEYOR SYSTEM	ERGONOMIC WORKSTATION AND LEAN PRODUCTION SYSTEM	MACHINE GUARD AND ENCLOUSURE SYSTEM	LINEAR MOTION SYSTEM	CLEAN ROOM SYSTEM
--------------------------------	--------------------------------	---	--	-----------------------------	--------------------------