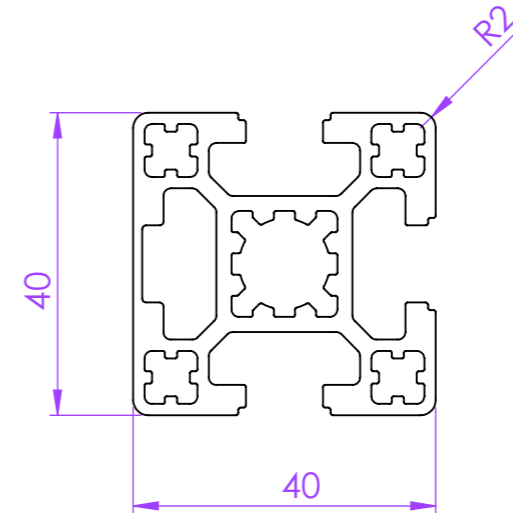
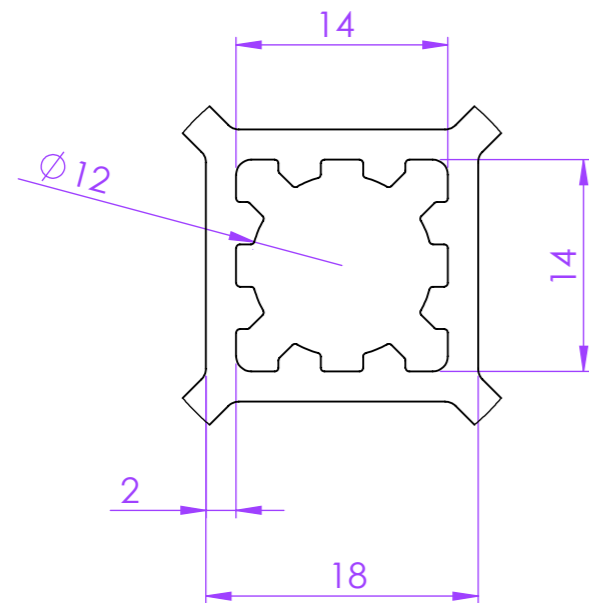
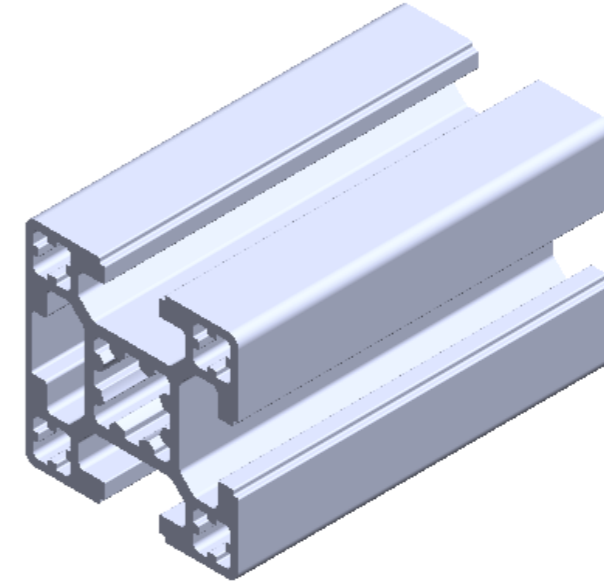
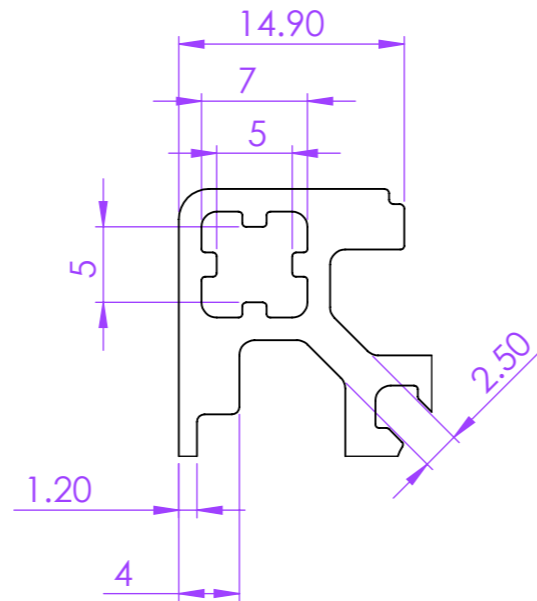
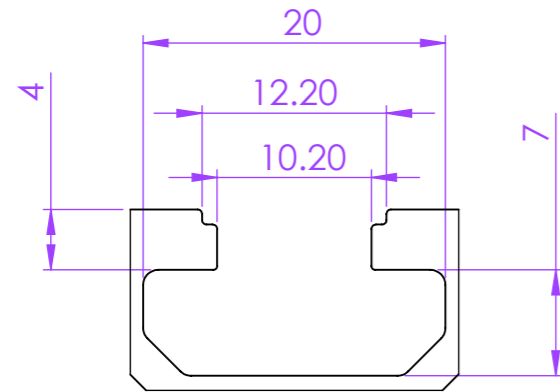


**Profile Group** - 40 Series

**Part Code** - PG40 OSC

**Description** - PG 40 - 4040H One Side Closed



ALL DIMENSIONS ARE IN MM



**SICA INDIA**  
www.sica.in

DATE 01-10-2014  
DRAWN BY Praful  
CHECKED BY

**PART NAME** PG40 OSC

MODULAR ASSEMBLY SYSTEM

MODULAR CONVEYOR SYSTEM

ERGONOMIC WORKSTATION AND LEAN PRODUCTION SYSTEM

MACHINE GUARD AND ENCLOSURE SYSTEM

LINEAR MOTION SYSTEM

CLEAN ROOM SYSTEM

**DRG. NO.** 4472

**MATERIAL** ALUMINIUM ALLOY 6063 T6

**APPROX. WT.** 1.570 kg/mtr

**REVISION**