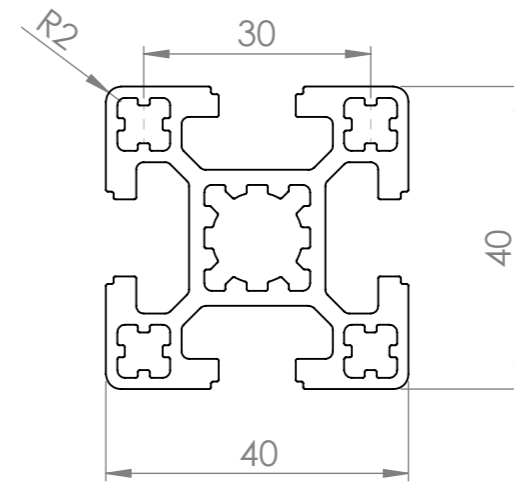
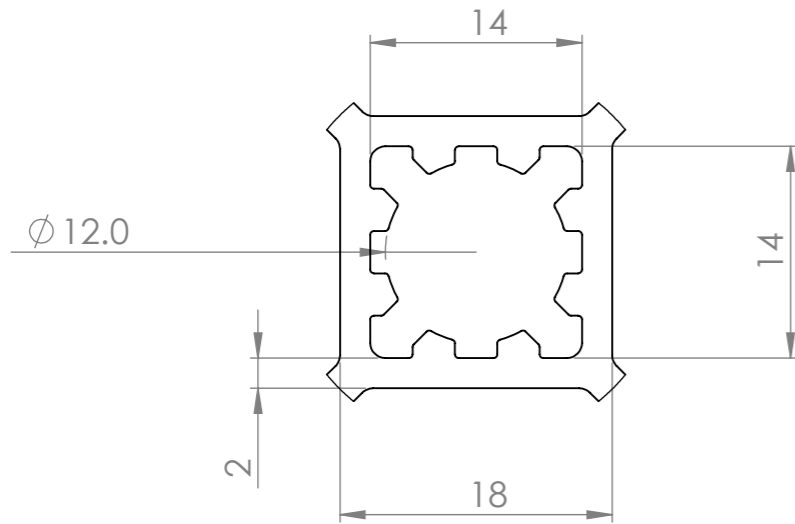
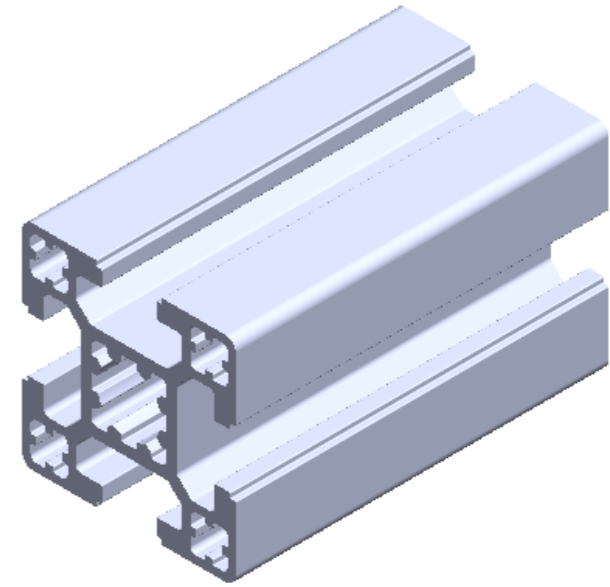
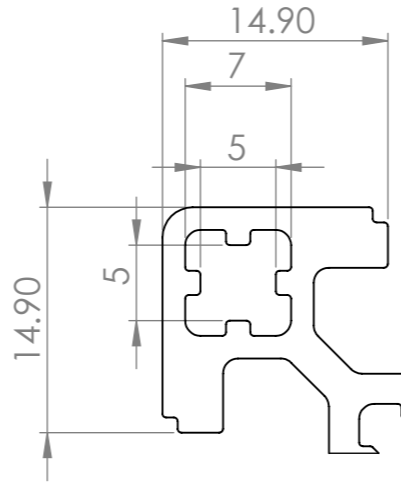
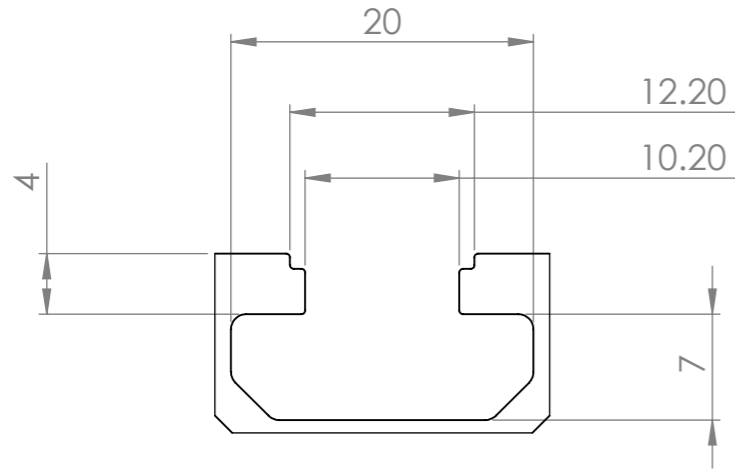


**Profile Group -** 40 Series

**Part Code -** PG 4040H

**Description -** PG40 -40X40 4 SLOTS HEAVY



ALL DIMENSIONS ARE IN MM



**SICA INDIA**  
www.sica.in

DATE 04-10-2011  
DRAWN BY Praful  
CHECKED BY

**PART NAME**  
PG 4040 H

**MODULAR ASSEMBLY SYSTEM**   **MODULAR CONVEYOR SYSTEM**   **ERGONOMIC WORKSTATION AND LEAN PRODUCTION SYSTEM**   **MACHINE GUARD AND ENCLOUSURE SYSTEM**

**LINEAR MOTION SYSTEM**   **CLEAN ROOM SYSTEM**

**DRG. NO.** 4429   **MATERIAL** ALUMINIUM ALLOY 6063 T6  
**APPROX. WT.** 1.535 kg/mtr   **REVISION**