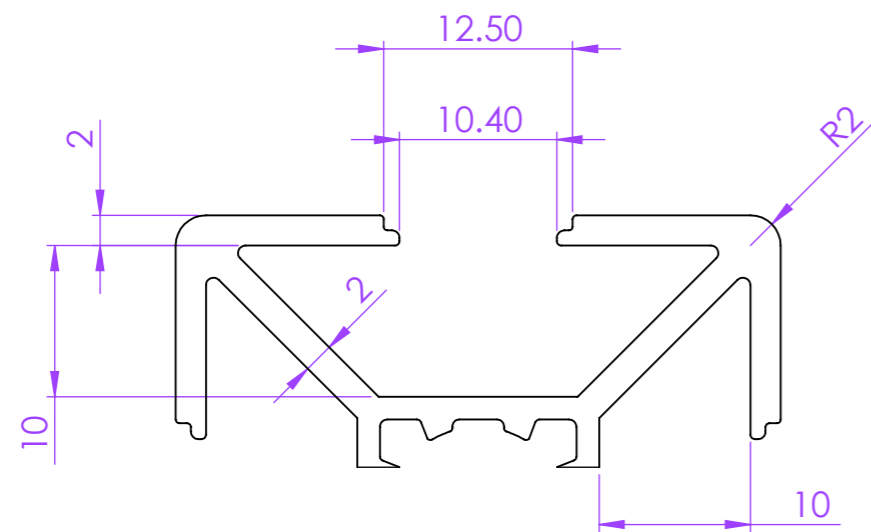
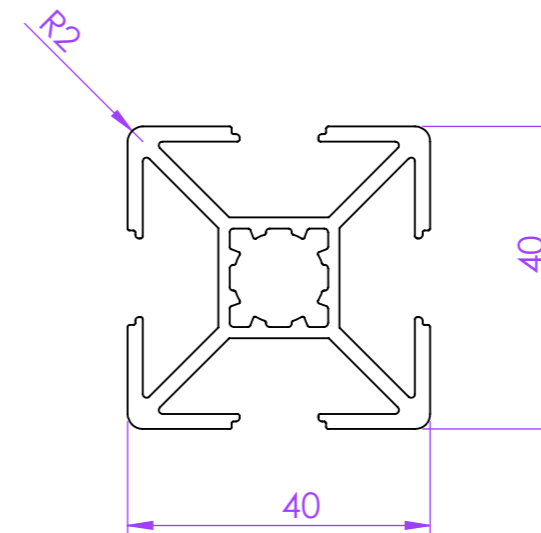
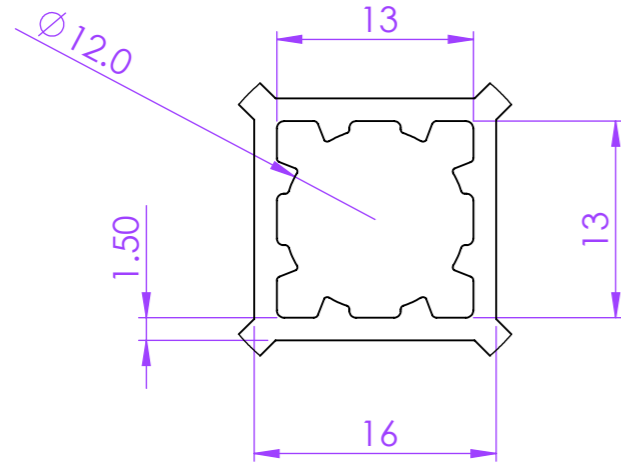
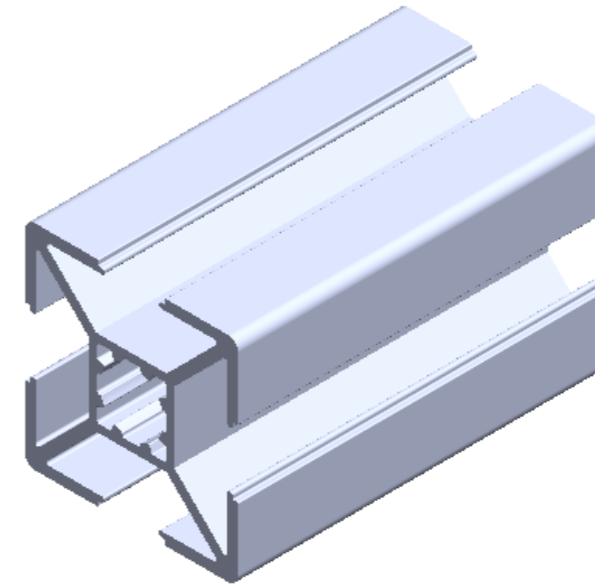


Profile Group - 40 Series

Part Code - PG 4040 L

Description - PG 40 - 40 x 40 4 slots Light



ALL DIMENSIONS ARE IN MM



SICA INDIA
www.sica.in

DATE 02-09-2014
DRAWN BY Praful
CHECKED BY

PART NAME PG 4040 L

MODULAR ASSEMBLY SYSTEM

MODULAR CONVEYOR SYSTEM

ERGONOMIC WORKSTATION AND LEAN PRODUCTION SYSTEM

MACHINE GUARD AND ENCLOSURE SYSTEM

LINEAR MOTION SYSTEM

CLEAN ROOM SYSTEM

DRG. NO.

APPROX. WT.

MATERIAL ALUMINIUM ALLOY 6063 T6

REVISION