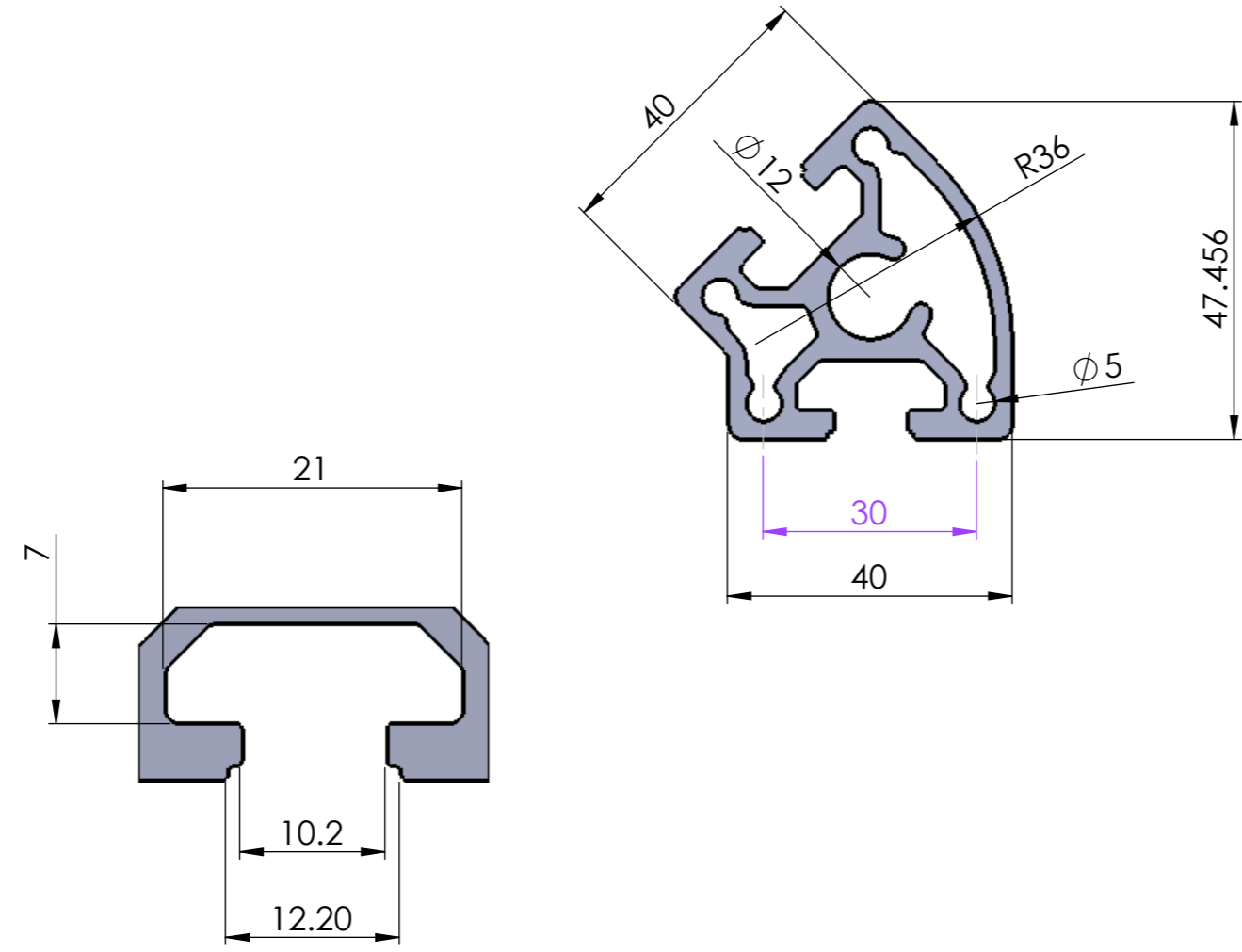
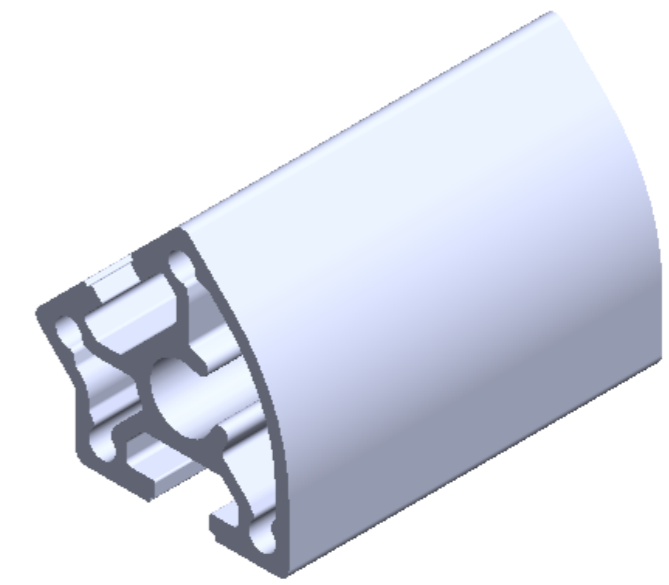


Profile Group -	40 mm Series
Part Code -	40x40x 45 degree
Description -	40x40x 45 degree



ALL DIMENSIONS ARE IN MM

		SICA INDIA www.sica.in	
DATE 31-08-2015		PART NAME 40x40x 45 degree	
DRAWN BY M.S			
CHECKED BY			
DRG. NO. 4478	MATERIAL Aluminium alloy, 6063 T6		
APPROX. WT.	REVISION		

MODULAR ASSEMBLY SYSTEM	MODULAR CONVEYOR SYSTEM	ERGONOMIC WORKSTATION AND LEAN PRODUCTION SYSTEM	MACHINE GUARD AND ENCLOSURE SYSTEM	LINEAR MOTION SYSTEM	CLEAN ROOM SYSTEM
--------------------------------	--------------------------------	---	---	-----------------------------	--------------------------