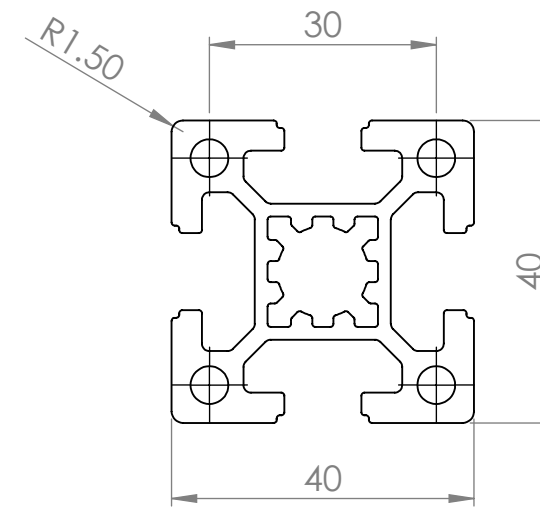
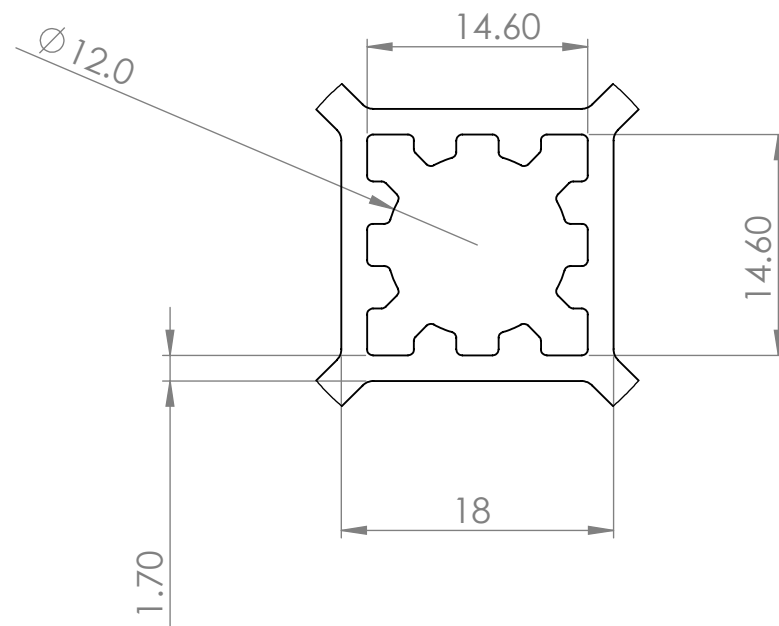
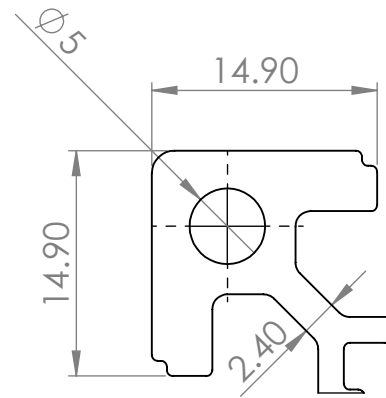
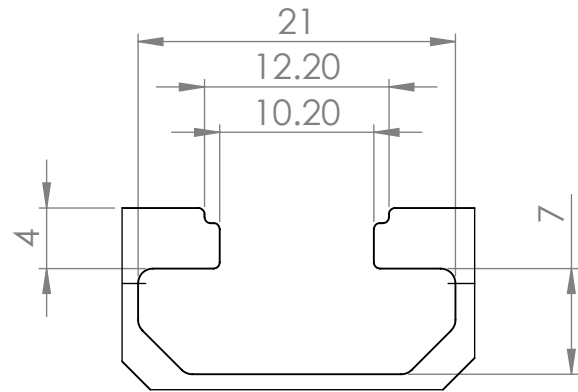
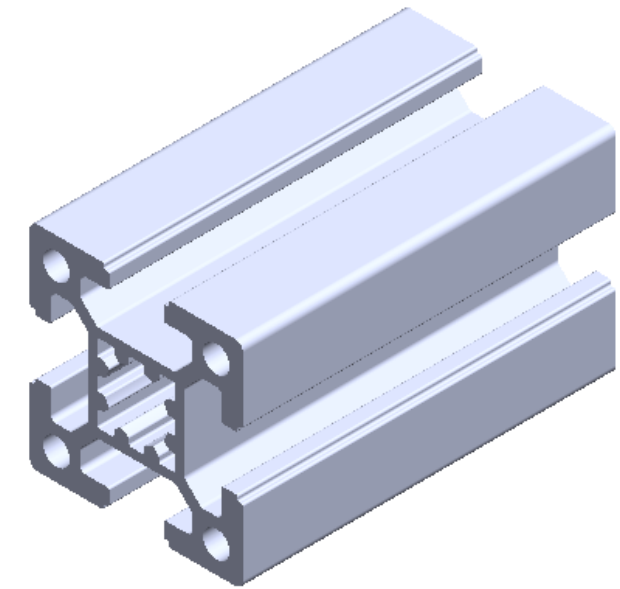


**Profile Group -** 40 Series

**Part Code -** PG 4040 XH

**Description -** PG40 - 4040 4 SLOTS HEAVY XH



ALL DIMENSIONS ARE IN MM



**SICA INDIA**  
www.sica.in

DATE 09-01-2012  
DRAWN BY Praful  
CHECKED BY

**PART NAME**  
PG 4040 XH

DRG. NO. 4436 MATERIAL ALUMINIUM ALLOY 6063 T6

APPROX. WT. 1.700 kg/mtr REVISION

MODULAR ASSEMBLY SYSTEM

MODULAR CONVEYOR SYSTEM

ERGONOMIC WORKSTATION AND LEAN PRODUCTION SYSTEM

MACHINE GUARD AND ENCLOSURE SYSTEM

LINEAR MOTION SYSTEM

CLEAN ROOM SYSTEM