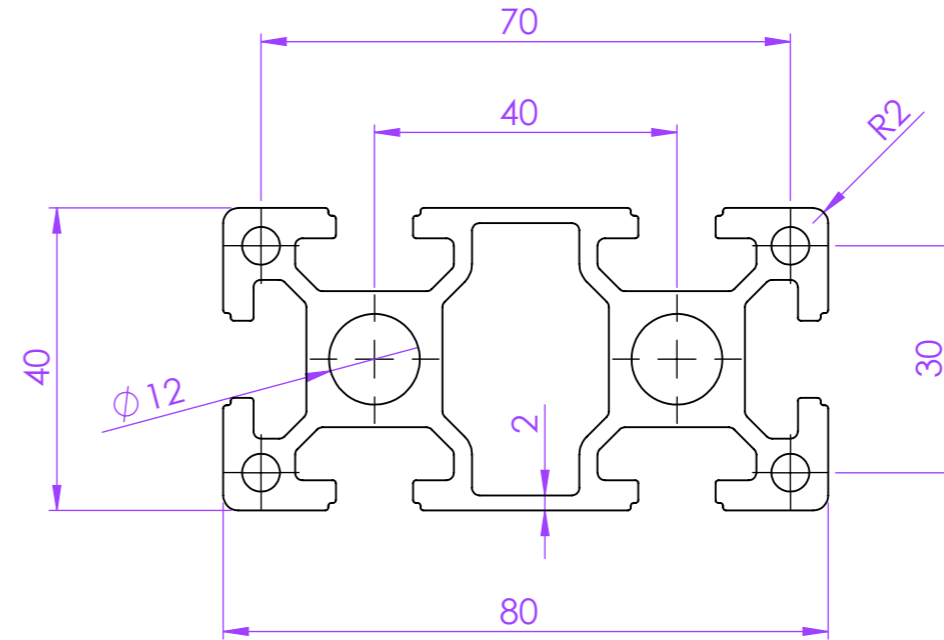
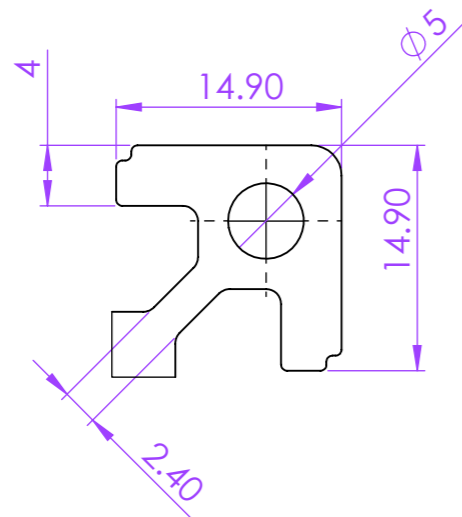
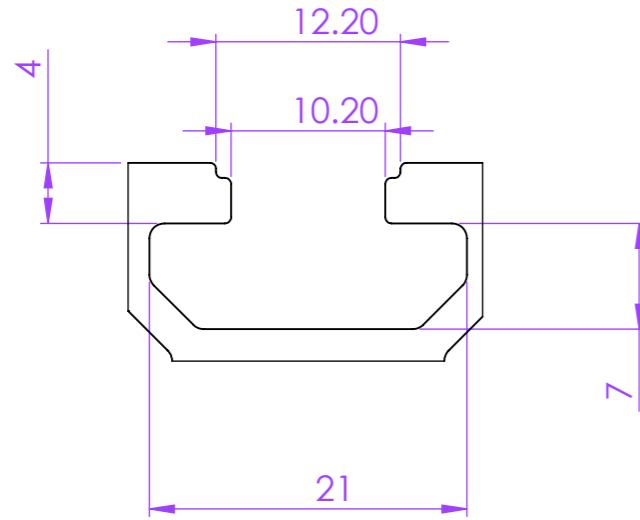
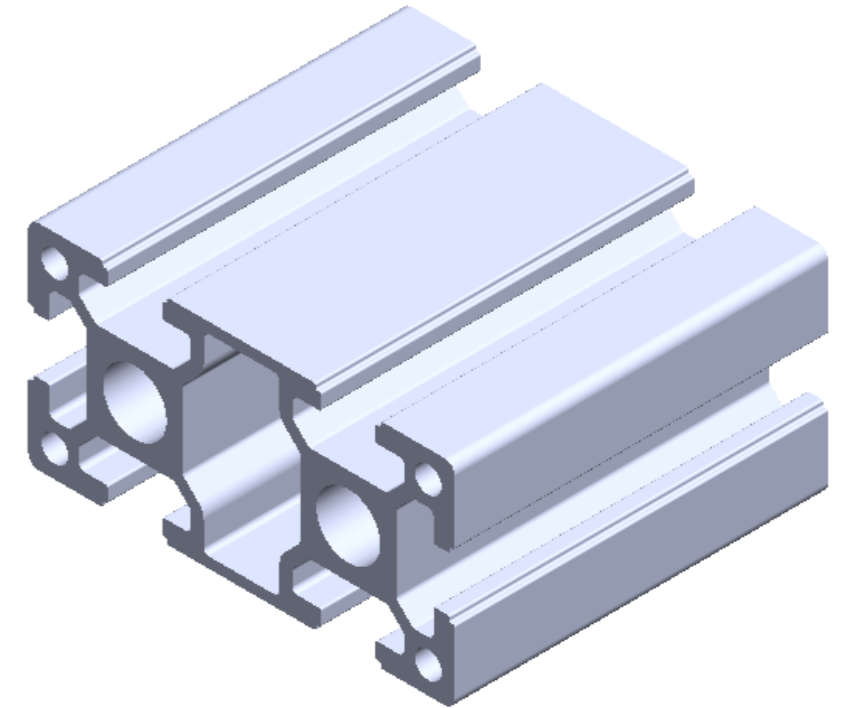


**Profile Group -** 40 Series

**Part Code -** PG 4080 H

**Description -** PG 40 - 40 x 80 6 slots



ALL DIMENSIONS  
ARE IN MM



**SICA INDIA**  
www.sica.in

DATE 08-05-2015  
DRAWN BY Praful  
CHECKED BY

**PART NAME** PG 4080 H

**DRG. NO.** 4476

**MATERIAL** ALUMINIUM  
ALLOY 6063 T6

**APPROX. WT.** 3.140 kg/mtr

**REVISION**

**MODULAR  
ASSEMBLY  
SYSTEM**

**MODULAR  
CONVEYOR  
SYSTEM**

**ERGONOMIC  
WORKSTATION AND  
LEAN PRODUCTION  
SYSTEM**

**MACHINE GUARD  
AND  
ENCLOUSURE  
SYSTEM**

**LINEAR  
MOTION  
SYSTEM**

**CLEAN  
ROOM  
SYSTEM**