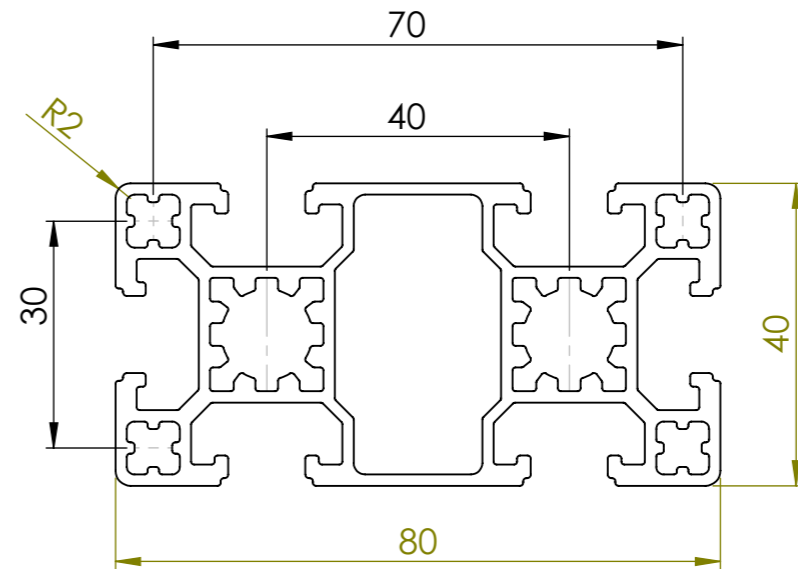
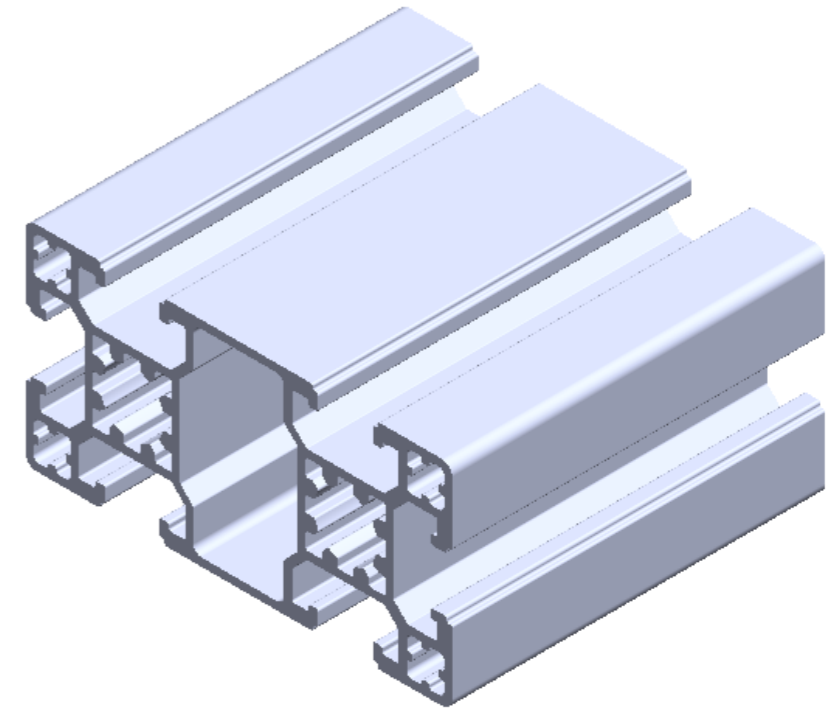
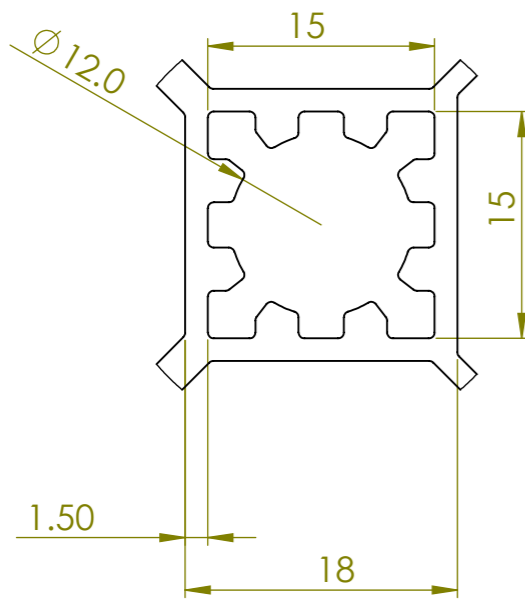
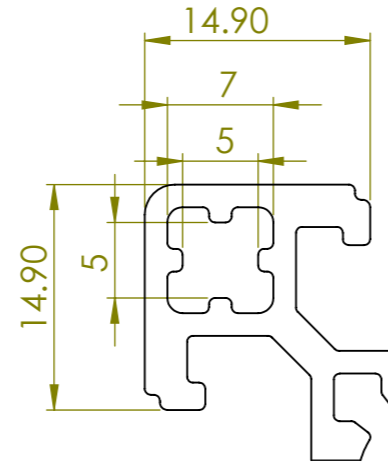
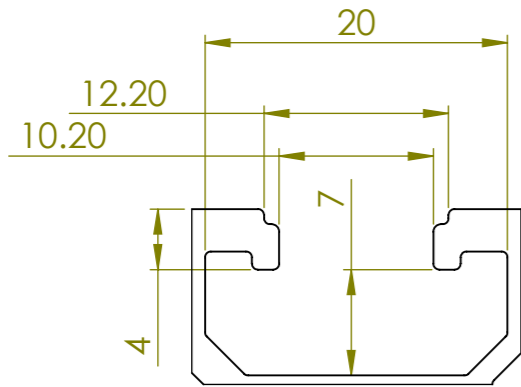


Profile Group - 40 Series

Part Code - PG 4080 M

Description - PG40 - 40X80 6 SLOTS



ALL DIMENSIONS ARE IN MM



SICA INDIA
www.sica.in

DATE 12-02-2012
DRAWN BY Praful
CHECKED BY

PART NAME PG 4080 M

MODULAR ASSEMBLY SYSTEM **MODULAR CONVEYOR SYSTEM** **ERGONOMIC WORKSTATION AND LEAN PRODUCTION SYSTEM** **MACHINE GUARD AND ENCLOUSURE SYSTEM**

LINEAR MOTION SYSTEM **CLEAN ROOM SYSTEM**

DRG. NO. 4439 **MATERIAL** ALUMINIUM ALLOY 6063 T6
APPROX. WT. 2.285 kg/mtr **REVISION**