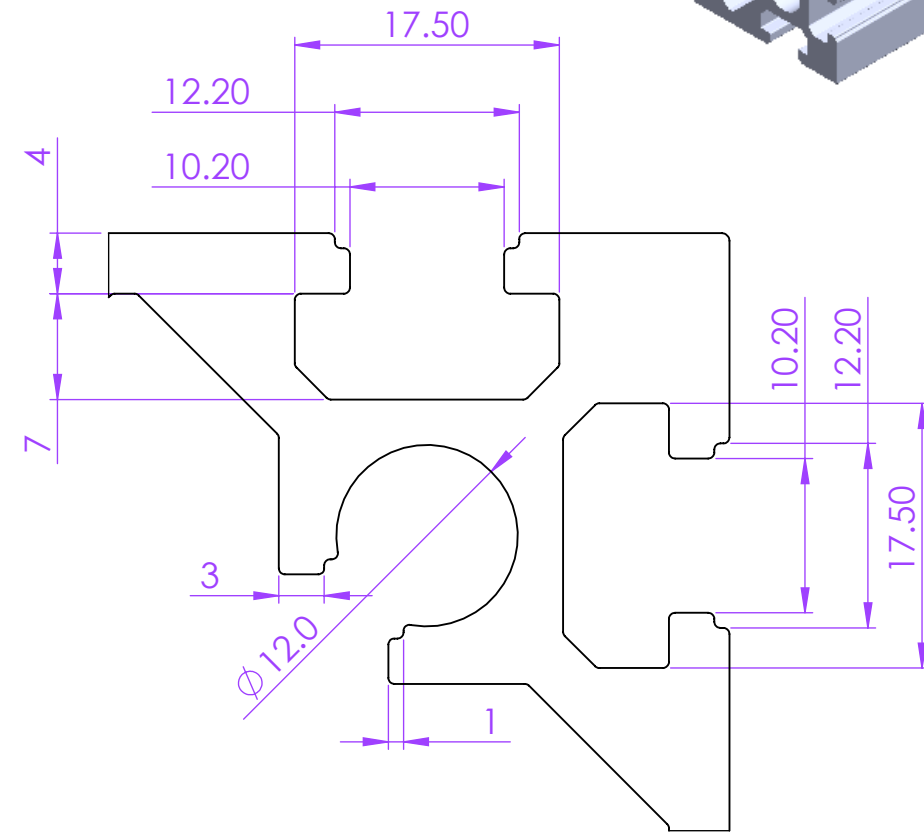
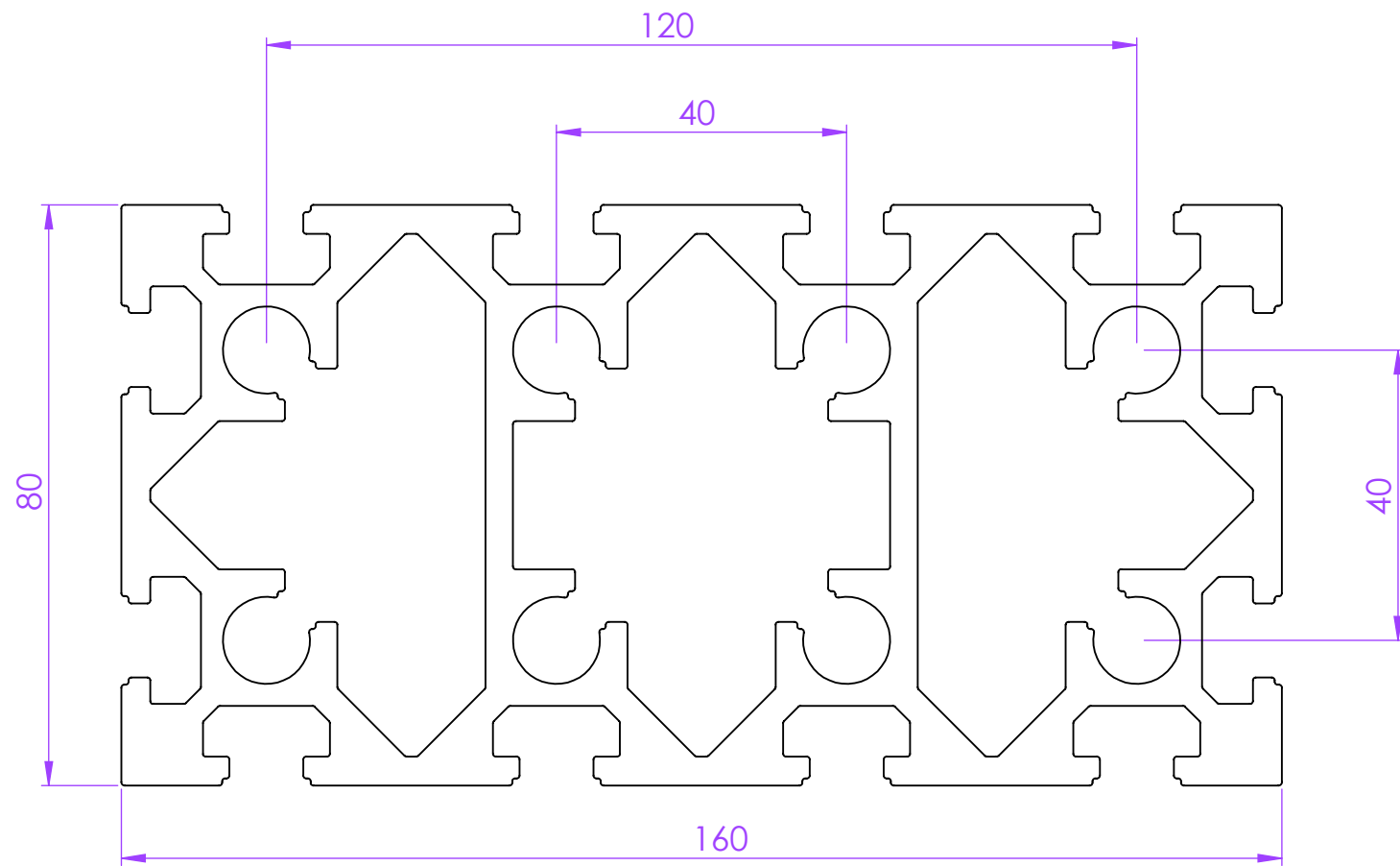
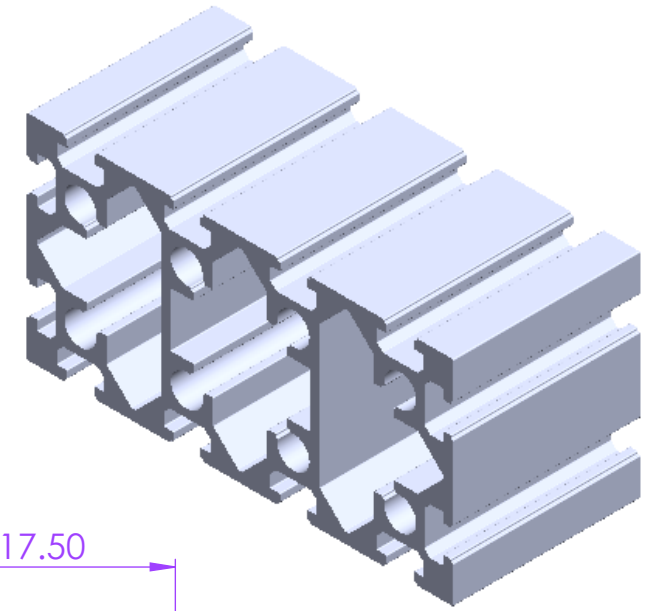


Profile Group - 40 Series

Part Code - PG 80160 H

Description - PG 40 - 80 x 160 12 slots



ALL DIMENSIONS ARE IN MM



SICA INDIA
www.sica.in

DATE 02-04-2015
DRAWN BY Praful
CHECKED BY

PART NAME PG 80160 H

DRG. NO. **MATERIAL** ALUMINIUM ALLOY 6063 T6

APPROX. WT. 11.260 kg/mtr **REVISION**

MODULAR ASSEMBLY SYSTEM

MODULAR CONVEYOR SYSTEM

ERGONOMIC WORKSTATION AND LEAN PRODUCTION SYSTEM

MACHINE GUARD AND ENCLOUSURE SYSTEM

LINEAR MOTION SYSTEM

CLEAN ROOM SYSTEM