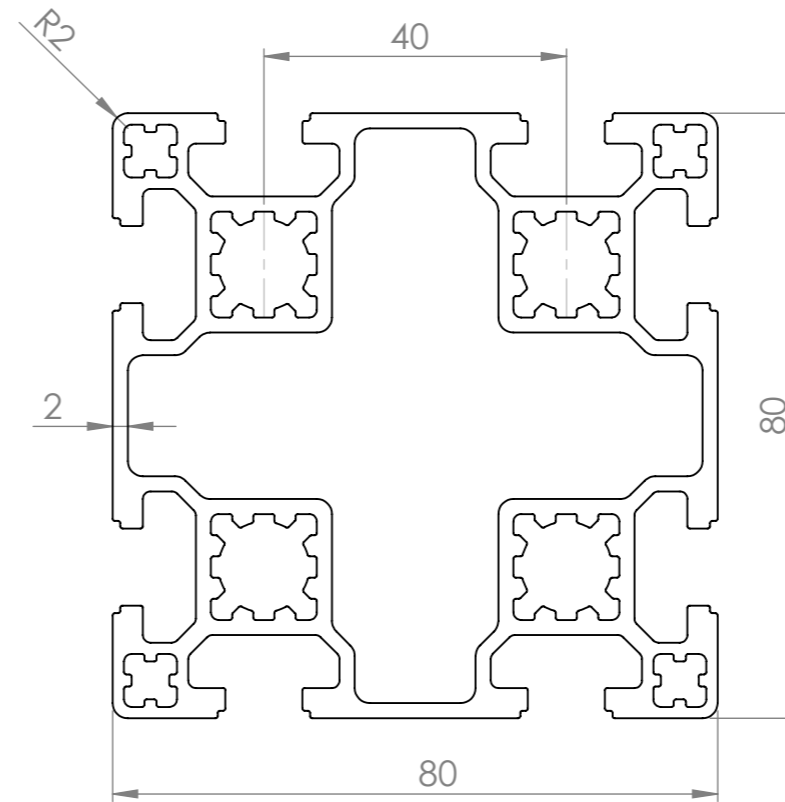
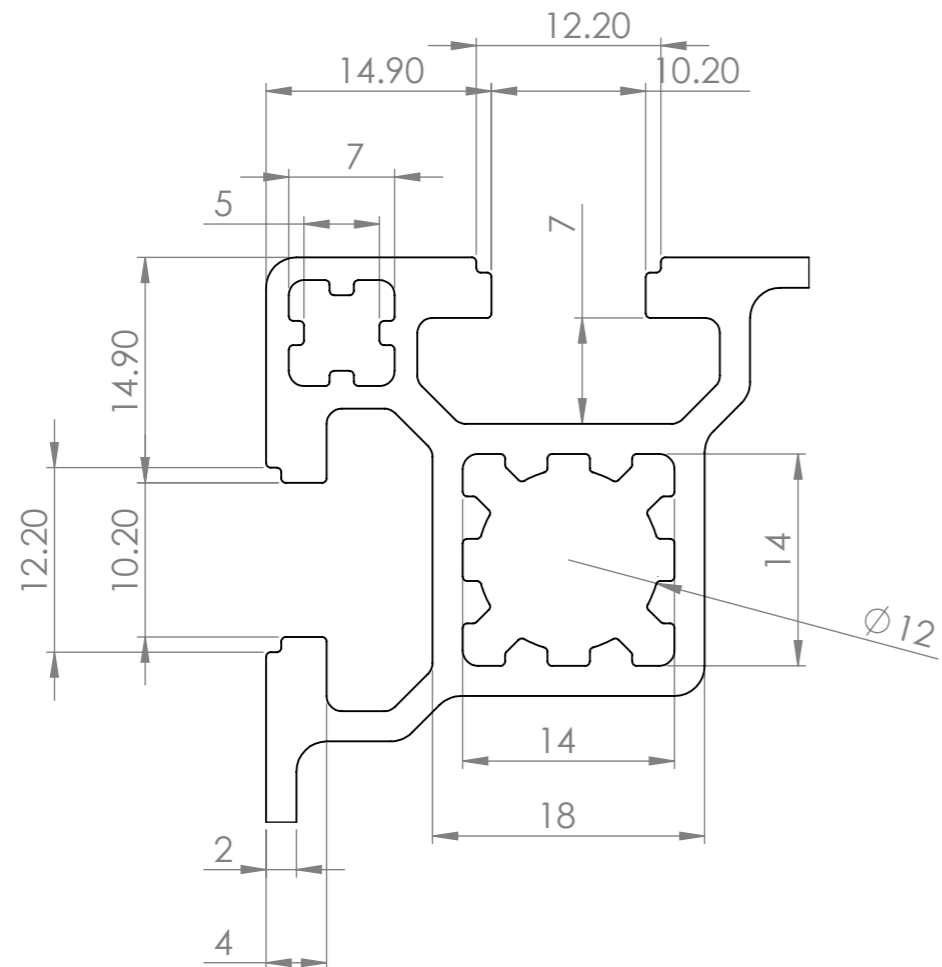
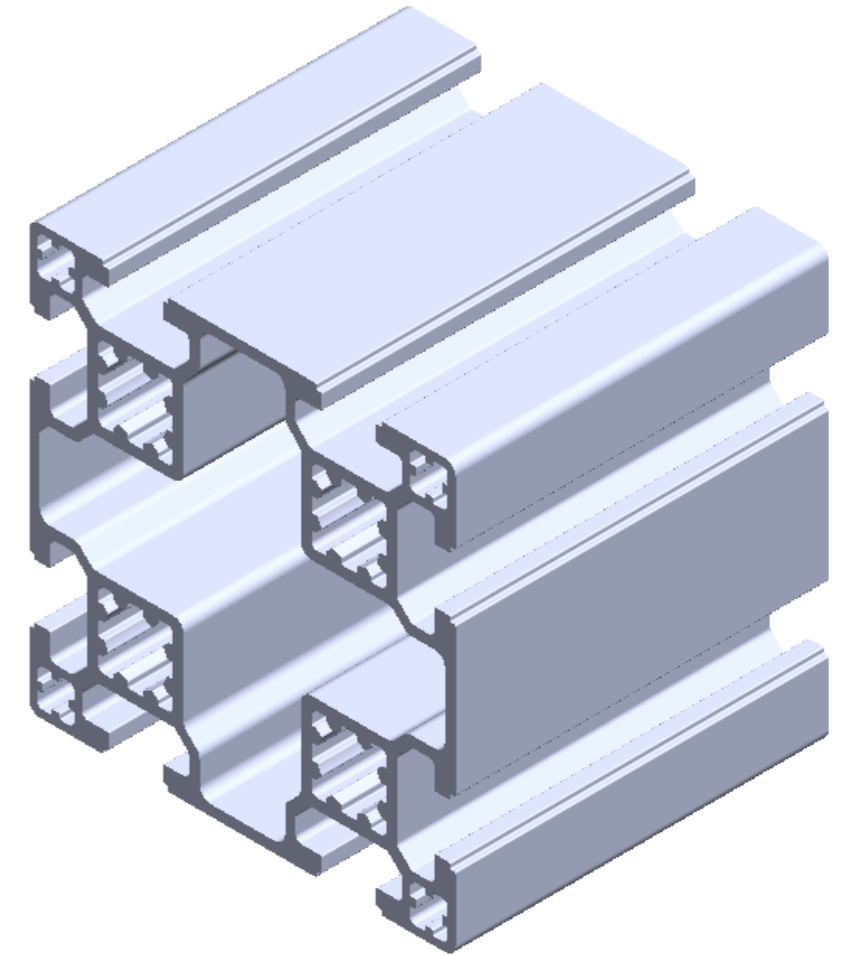


Profile Group - 40 Series

Part Code - PG 8080 M

**Description - PG 40 - 80 x 80
8 slots**



ALL DIMENSIONS ARE IN MM



SICA INDIA
www.sica.in

DATE 03-07-2013
DRAWN BY Praful
CHECKED BY

PART NAME PG 8080 M

MODULAR ASSEMBLY SYSTEM
MODULAR CONVEYOR SYSTEM
ERGONOMIC WORKSTATION AND LEAN PRODUCTION SYSTEM
MACHINE GUARD AND ENCLOUSURE SYSTEM

LINEAR MOTION SYSTEM
CLEAN ROOM SYSTEM

DRG. NO. 4452
APPROX. WT. 4.125 kg/mtr
MATERIAL ALUMINIUM ALLOY 6063 T6
REVISION