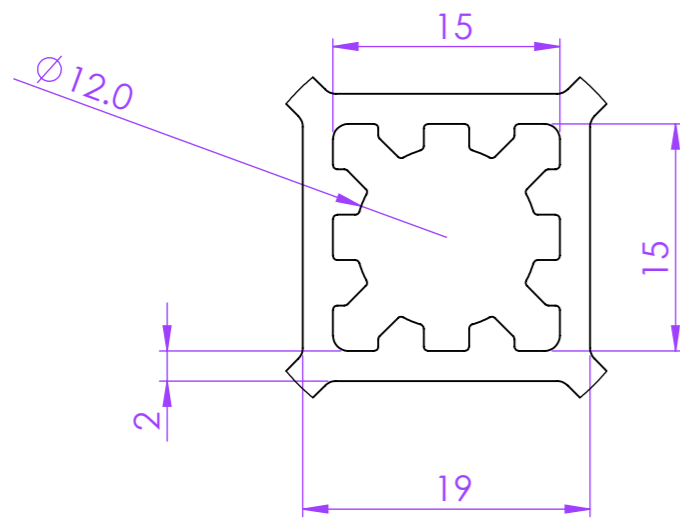
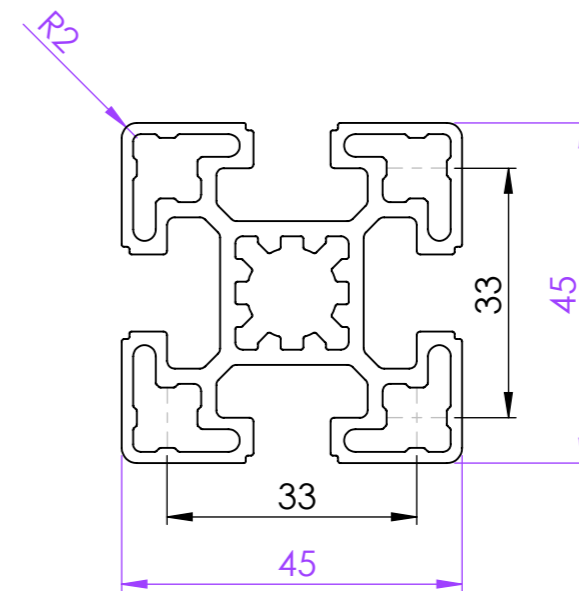
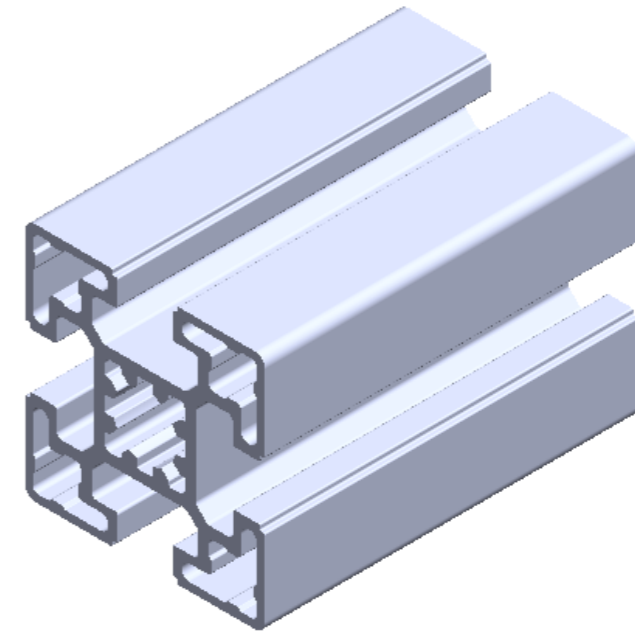
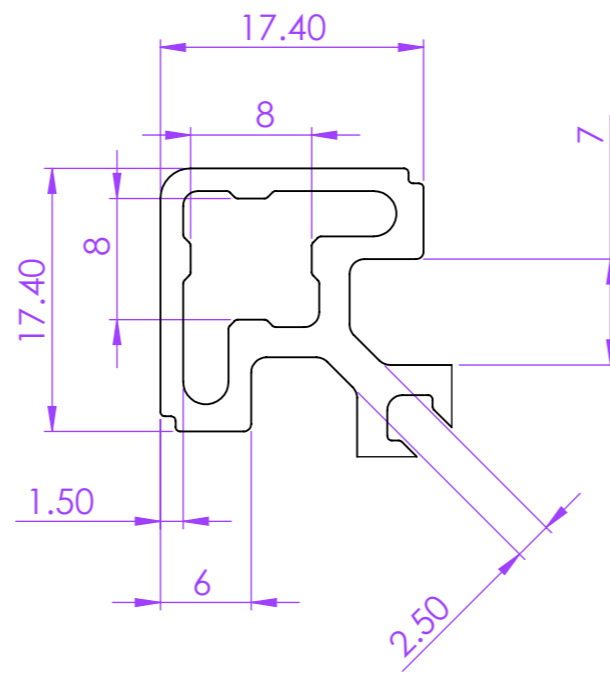
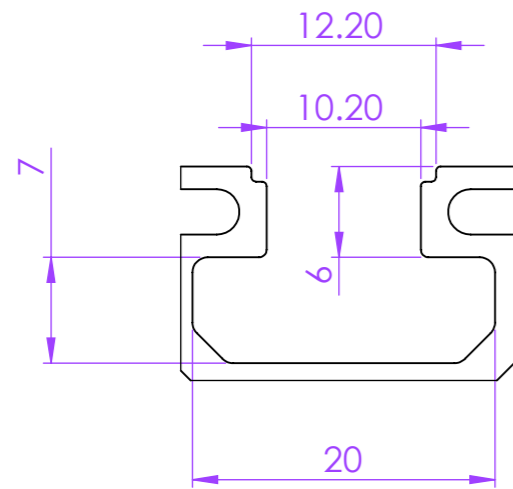


Profile Group -	45 Series
Part Code -	PG4545H
Description -	PG 45 - 45 x 45 4 slots



ALL DIMENSIONS ARE IN MM



SICA INDIA
www.sica.in

DATE	31-05-2014
DRAWN BY	Praful
CHECKED BY	

PART NAME PG4545H

DRG. NO.	4468	MATERIAL	ALUMINIUM ALLOY 6063 T6
APPROX. WT.	1.710 kg/mtr	REVISION	

MODULAR ASSEMBLY SYSTEM	MODULAR CONVEYOR SYSTEM	ERGONOMIC WORKSTATION AND LEAN PRODUCTION SYSTEM	MACHINE GUARD AND ENCLOUSURE SYSTEM	LINEAR MOTION SYSTEM	CLEAN ROOM SYSTEM
--------------------------------	--------------------------------	---	--	-----------------------------	--------------------------