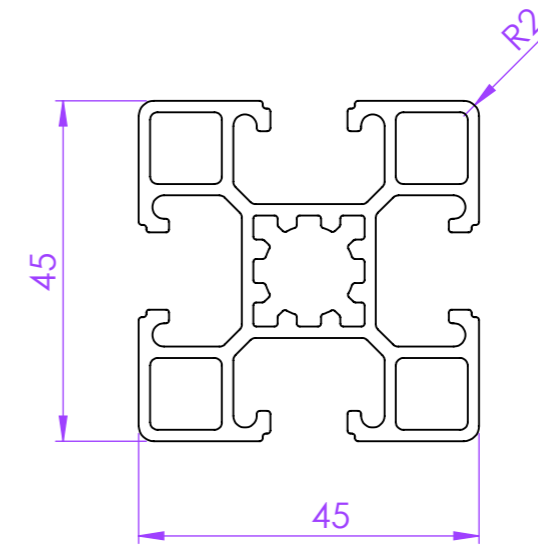
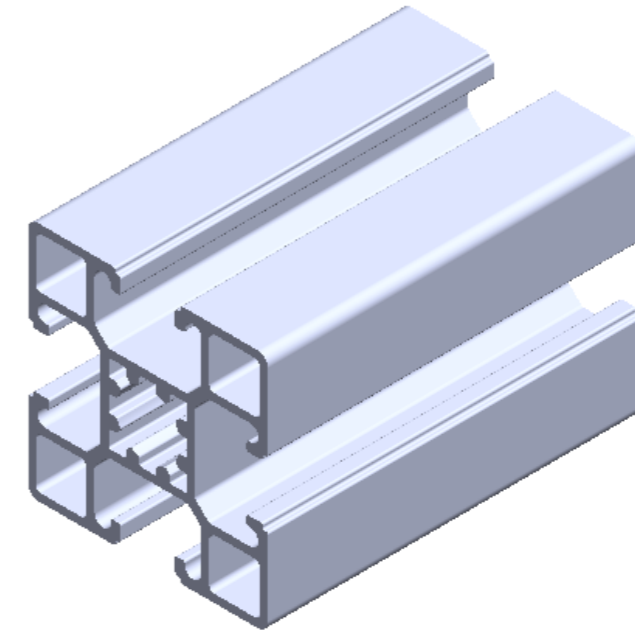
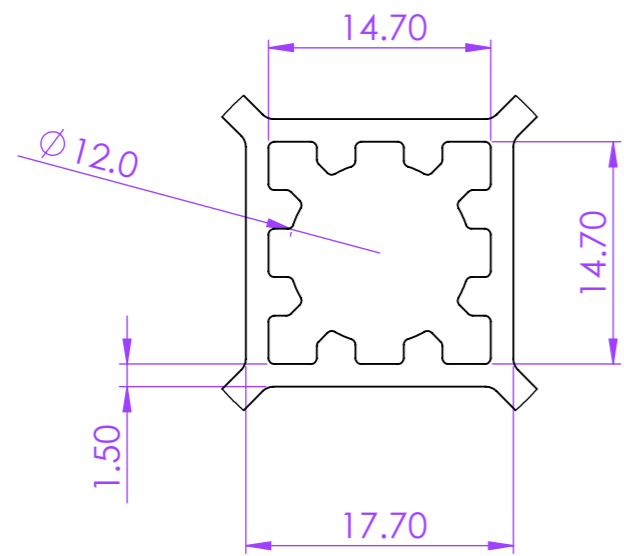
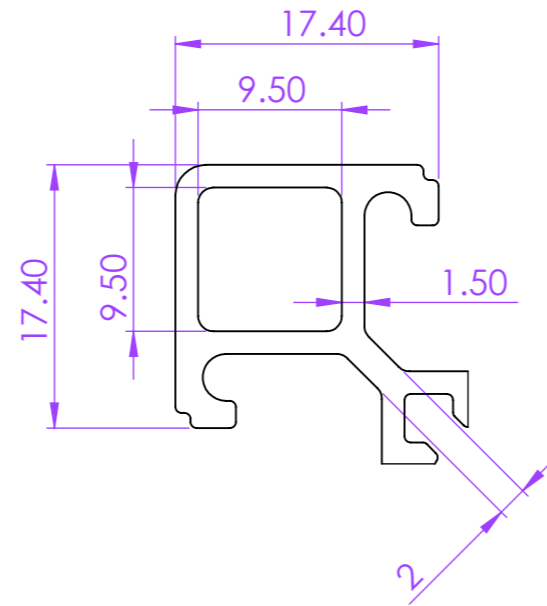
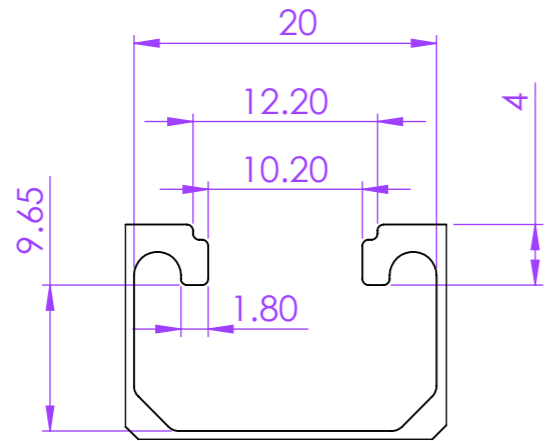


**Profile Group -** 45 Series

**Part Code -** PG4545M

**Description -** PG 45 - 45 x 45 4 slots



ALL DIMENSIONS ARE IN MM



**SICA INDIA**  
www.sica.in

DATE 02-05-2015  
DRAWN BY Praful  
CHECKED BY

**PART NAME** PG4545M

**DRG. NO.** 4475

**MATERIAL** ALUMINIUM ALLOY 6063 T6

**APPROX. WT.** 1.410 kg/mtr

**REVISION**

**MODULAR ASSEMBLY SYSTEM**

**MODULAR CONVEYOR SYSTEM**

**ERGONOMIC WORKSTATION AND LEAN PRODUCTION SYSTEM**

**MACHINE GUARD AND ENCLOSURE SYSTEM**

**LINEAR MOTION SYSTEM**

**CLEAN ROOM SYSTEM**