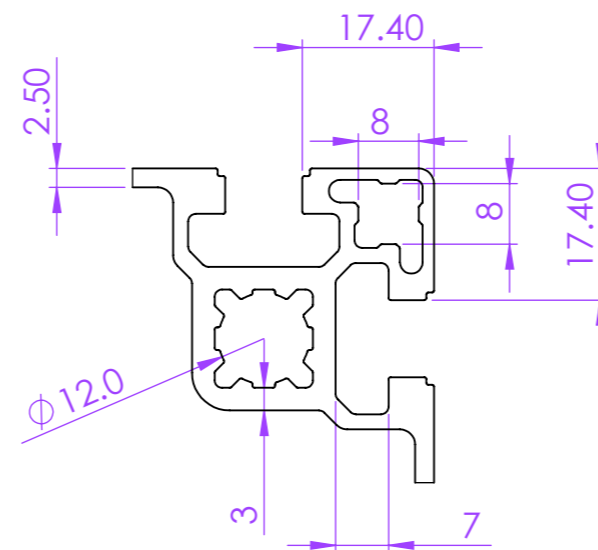
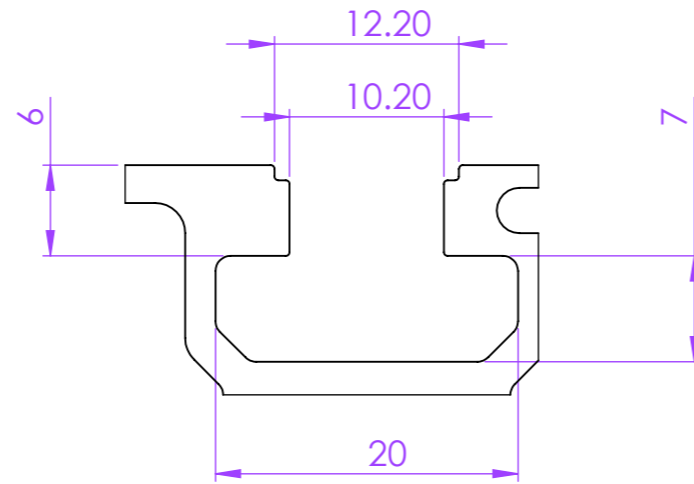
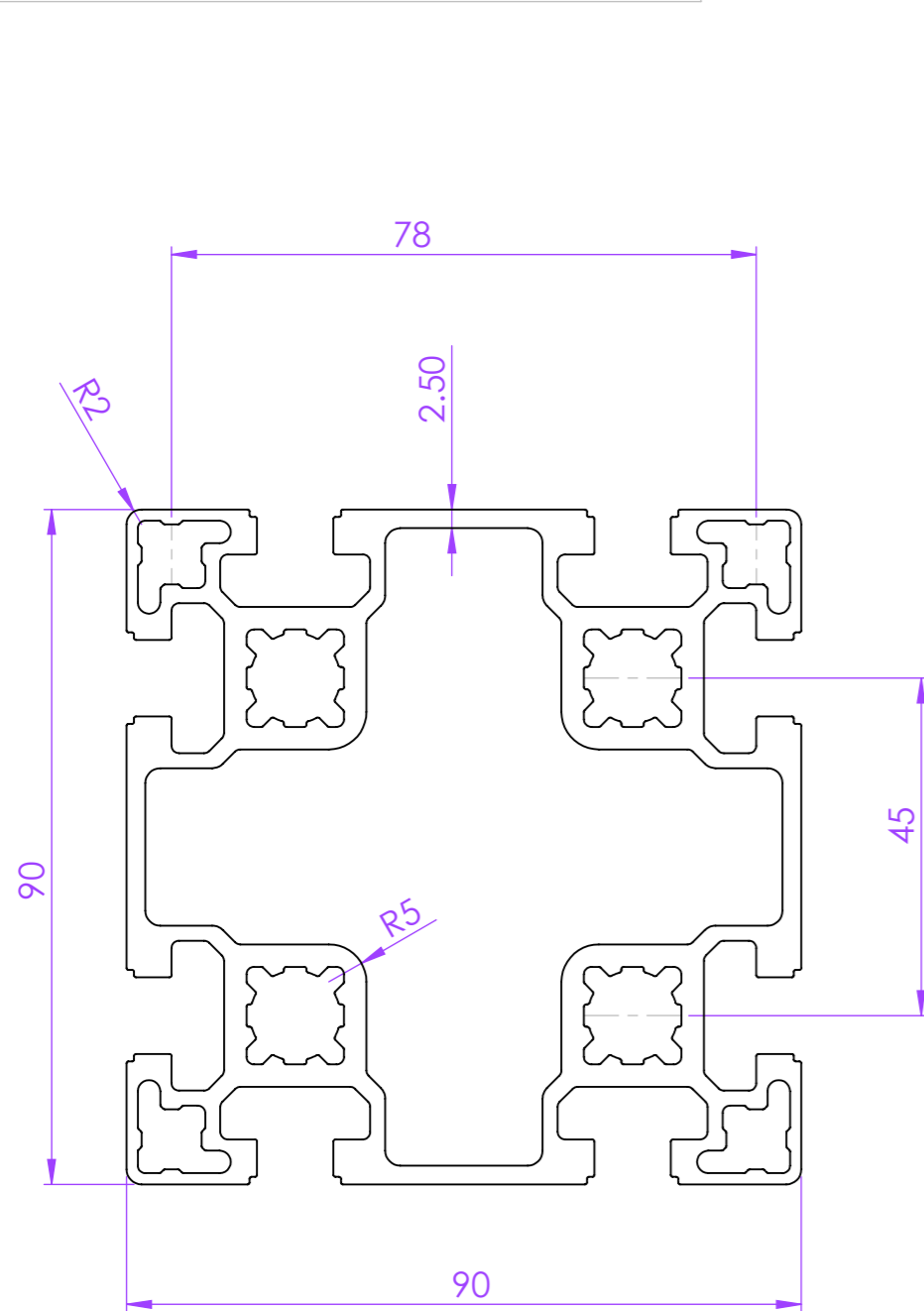
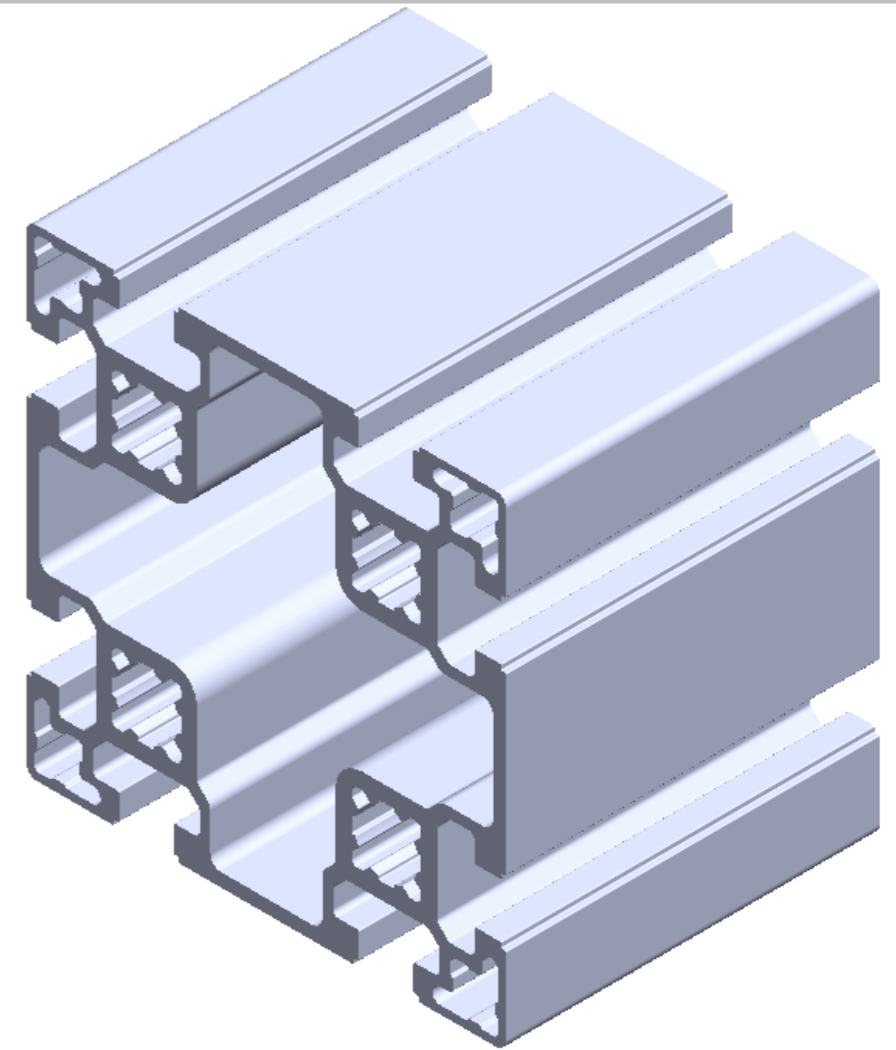


<b>Profile Group -</b>	45 Series
<b>Part Code</b>	- PG45 9090
<b>Description</b>	- PG 45 - 90 x 90 8 slots



ALL DIMENSIONS ARE IN MM



**SICA INDIA**  
www.sica.in

DATE	31-05-2015
DRAWN BY	Praful
CHECKED BY	

<b>PART NAME</b>	PG45 9090	
<b>DRG. NO.</b>	4470	<b>MATERIAL</b> ALUMINIUM ALLOY 6063 T6
<b>APPROX. WT.</b>	5.410 kg/mtr	<b>REVISION</b>

<b>MODULAR ASSEMBLY SYSTEM</b>	<b>MODULAR CONVEYOR SYSTEM</b>	<b>ERGONOMIC WORKSTATION AND LEAN PRODUCTION SYSTEM</b>	<b>MACHINE GUARD AND ENCLOUSURE SYSTEM</b>	<b>LINEAR MOTION SYSTEM</b>	<b>CLEAN ROOM SYSTEM</b>
--------------------------------	--------------------------------	---	--	-----------------------------	--------------------------