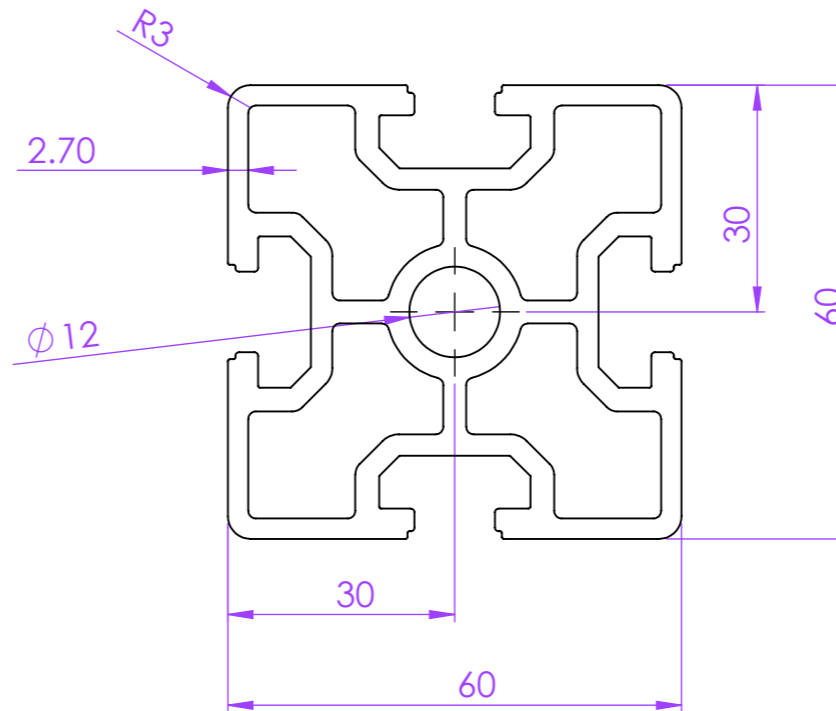
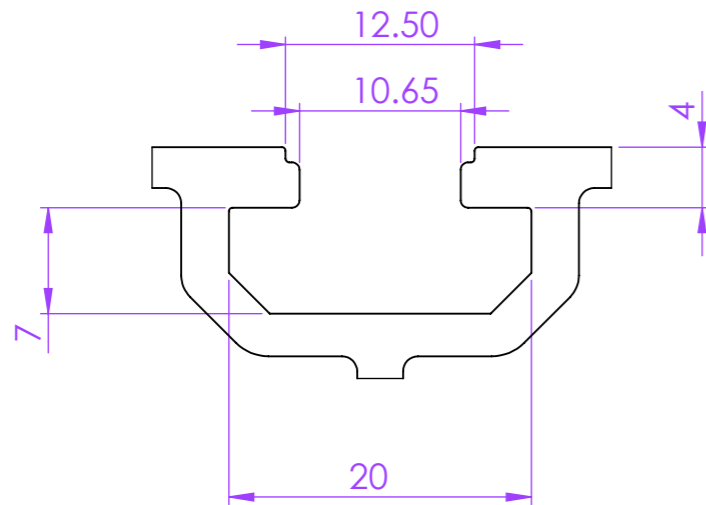
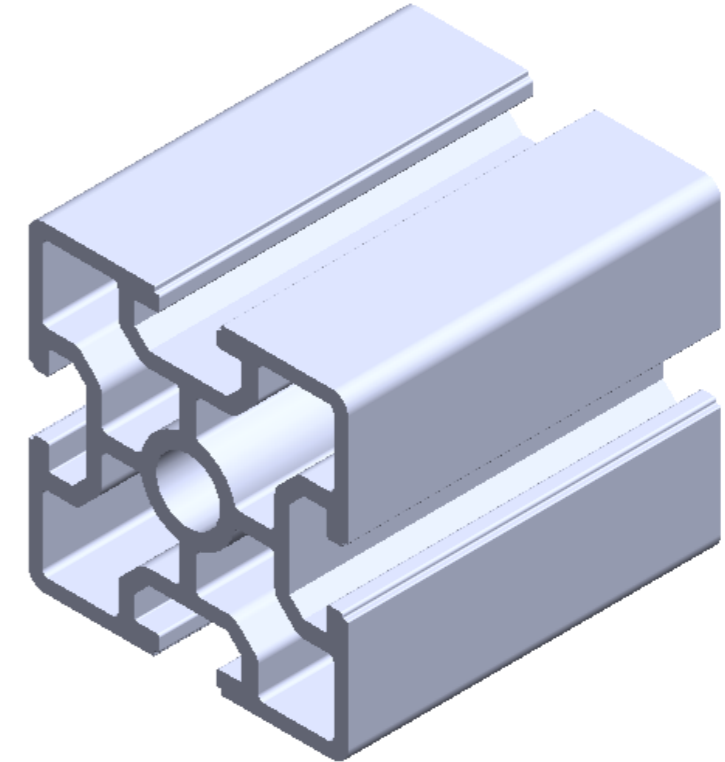


Profile Group - 60 Series

Part Code - PG 6060

Description - PG 60 - 60 x 60 4 slots



ALL DIMENSIONS ARE IN MM



SICA INDIA
www.sica.in

DATE 21-05-2015

DRAWN BY Praful

CHECKED BY

PART NAME PG 6060

MODULAR ASSEMBLY SYSTEM

MODULAR CONVEYOR SYSTEM

ERGONOMIC WORKSTATION AND LEAN PRODUCTION SYSTEM

MACHINE GUARD AND ENCLOSURE SYSTEM

LINEAR MOTION SYSTEM

CLEAN ROOM SYSTEM

DRG. NO.

MATERIAL ALUMINIUM ALLOY 6063 T6

APPROX. WT. 3.300 kg/mtr

REVISION