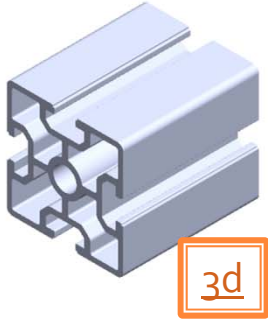
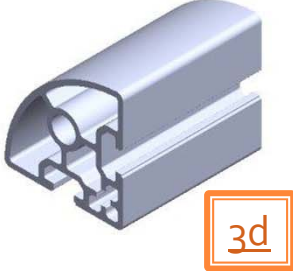


60 GROUP



PG60 6060S



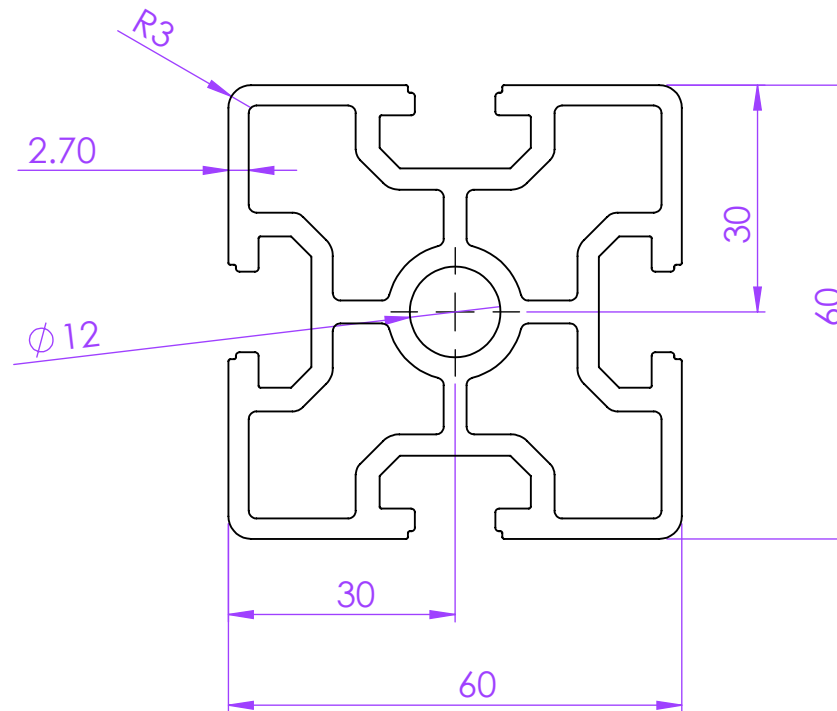
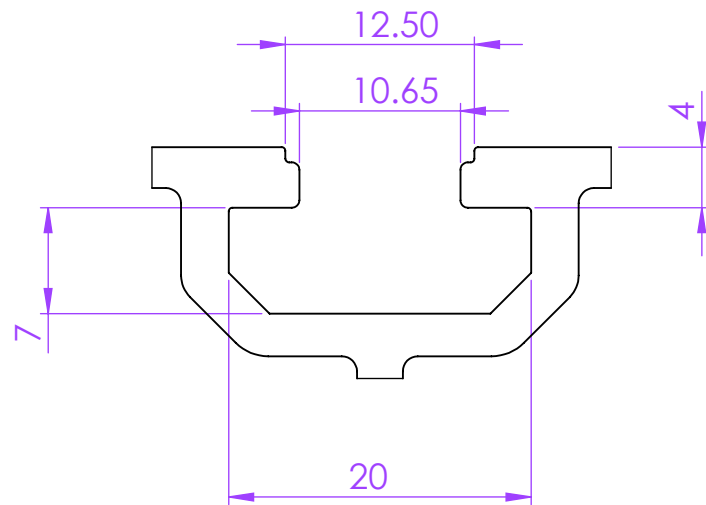
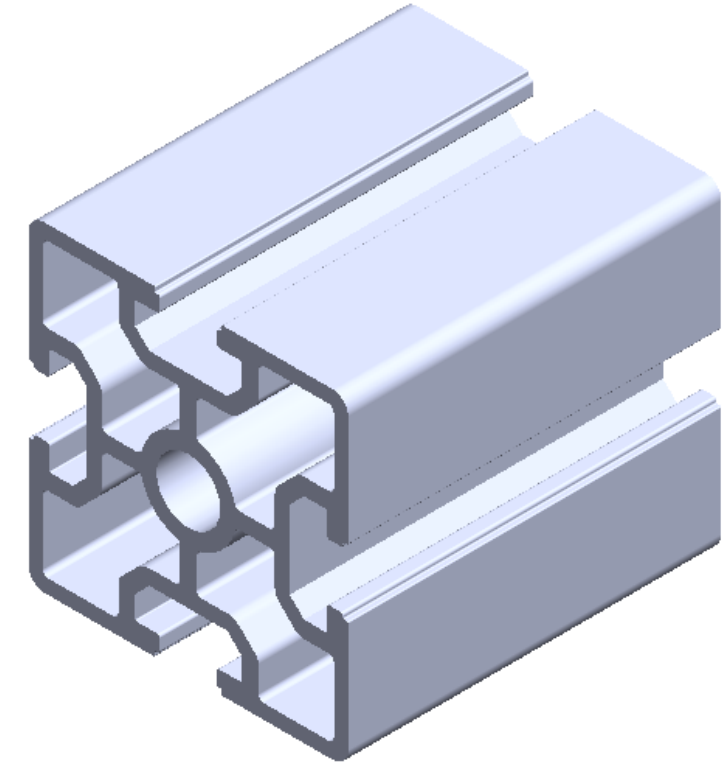
PG60 6060R90



Profile Group - 60 Series

Part Code - PG 6060

Description - PG 60 - 60 x 60 4 slots



ALL DIMENSIONS ARE IN MM



SICA INDIA
www.sica.in

DATE 21-05-2015
DRAWN BY Praful
CHECKED BY

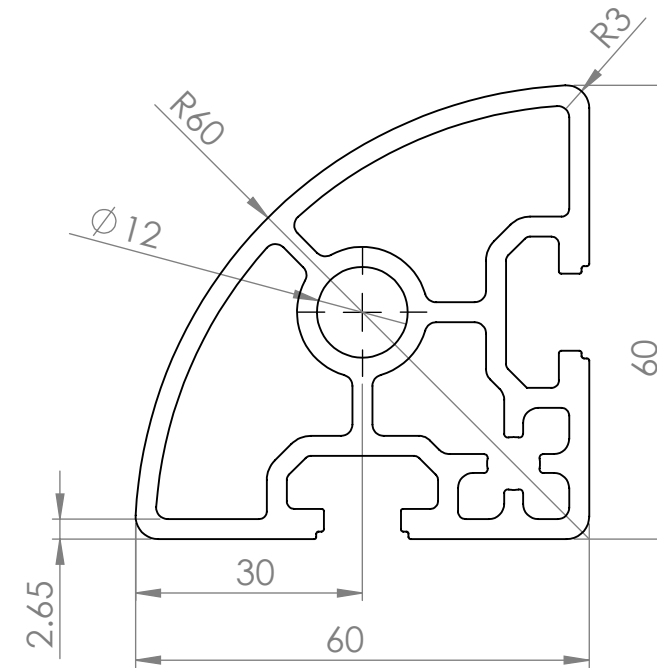
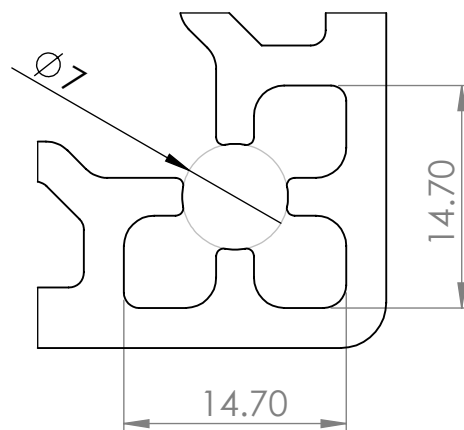
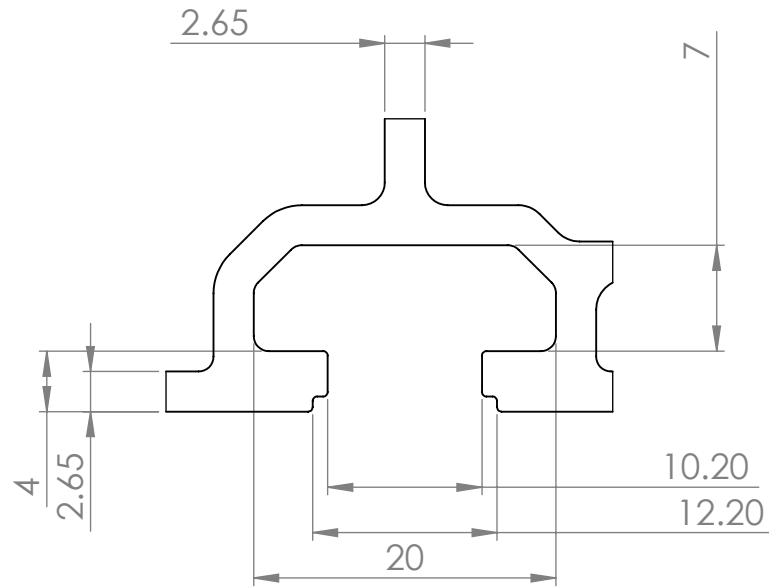
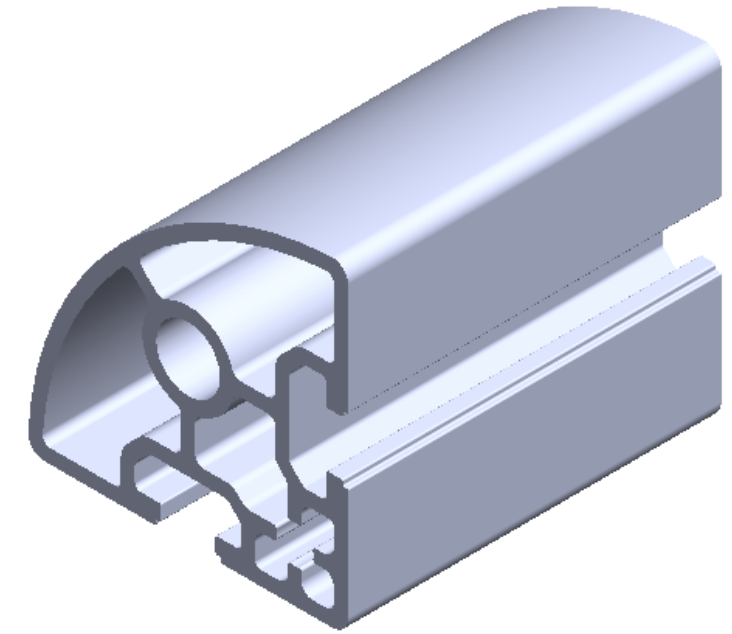
PART NAME PG 6060

MODULAR ASSEMBLY SYSTEM	MODULAR CONVEYOR SYSTEM	ERGONOMIC WORKSTATION AND LEAN PRODUCTION SYSTEM	MACHINE GUARD AND ENCLOUSURE SYSTEM	LINEAR MOTION SYSTEM	CLEAN ROOM SYSTEM	DRG. NO.	MATERIAL ALUMINIUM ALLOY 6063 T6
						APPROX. WT. 3.300 kg/mtr	REVISION

Profile Group - 60 Series

Part Code - PG60 6060 R

Description - PG 60 - 60 x 60
2 slots



ALL DIMENSIONS
ARE IN MM



SICA INDIA
www.sica.in

DATE 08-04-2013
DRAWN BY Praful
CHECKED BY

PART NAME PG60 6060 R

MODULAR ASSEMBLY SYSTEM	MODULAR CONVEYOR SYSTEM	ERGONOMIC WORKSTATION AND LEAN PRODUCTION SYSTEM	MACHINE GUARD AND ENCLOUSURE SYSTEM
--------------------------------	--------------------------------	---	--

LINEAR MOTION SYSTEM	CLEAN ROOM SYSTEM
-----------------------------	--------------------------

DRG. NO. 4449	MATERIAL ALUMINIUM ALLOY 6063 T6
APPROX. WT. 2.535	REVISION