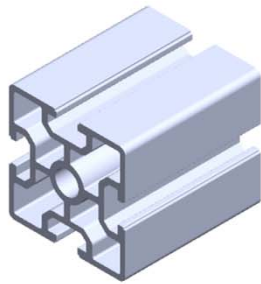
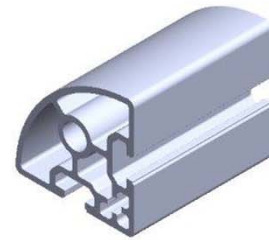


60 GROUP



PG60 6060S

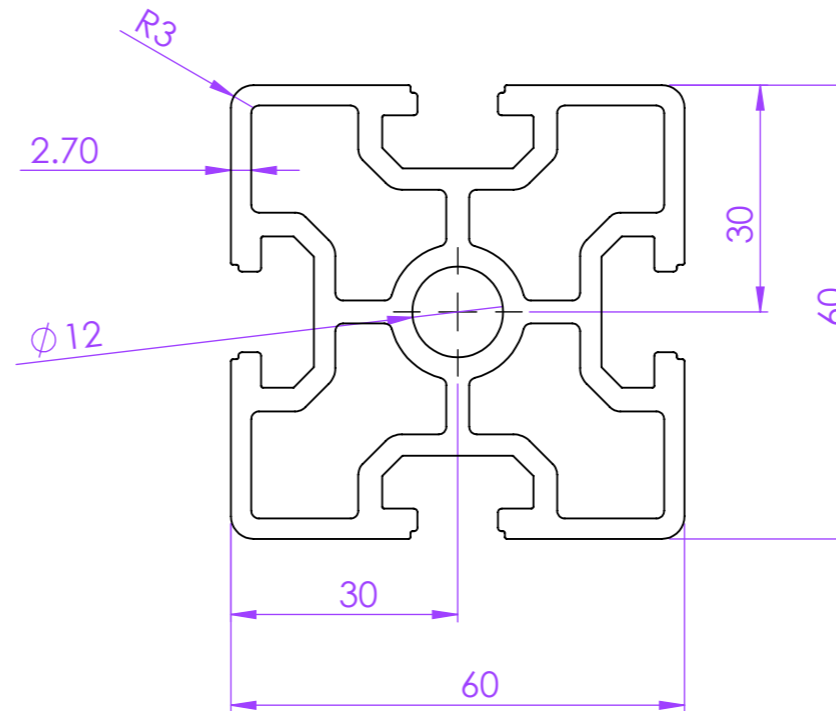
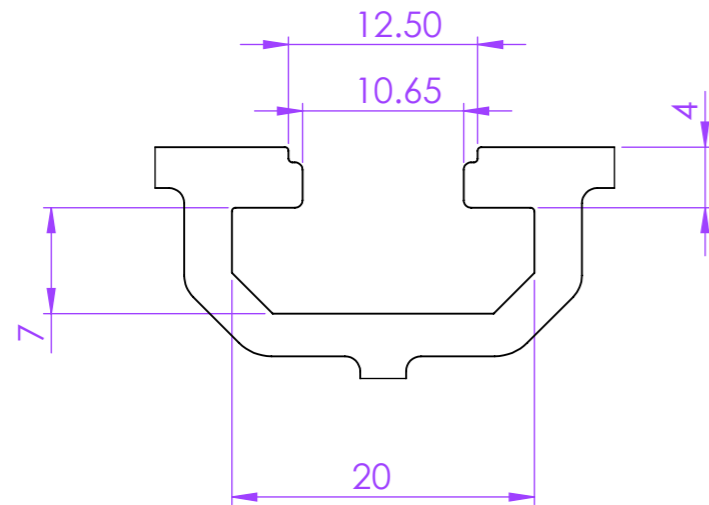
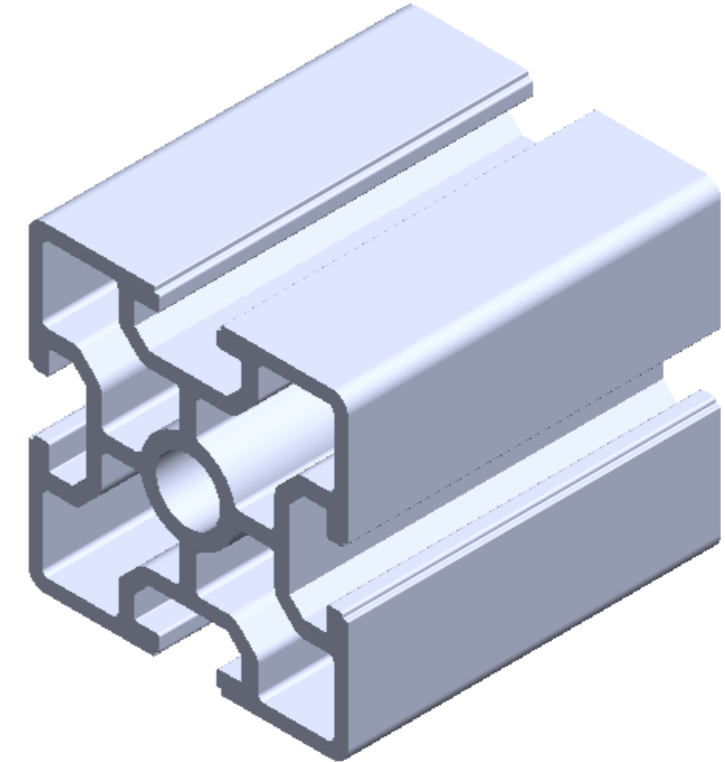


PG60 6060R90

Profile Group - 60 Series

Part Code - PG 6060

Description - PG 60 - 60 x 60 4 slots



ALL DIMENSIONS
ARE IN MM



SICA INDIA
www.sica.in

DATE 21-05-2015
DRAWN BY Praful
CHECKED BY

PART NAME PG 6060

DRG. NO.	MATERIAL ALUMINIUM ALLLOY 6063 T6
APPROX. WT. 3.300 kg/mtr	REVISION

MODULAR ASSEMBLY SYSTEM

MODULAR CONVEYOR SYSTEM

ERGONOMIC WORKSTATION AND LEAN PRODUCTION SYSTEM

MACHINE GUARD AND ENCLOSURE SYSTEM

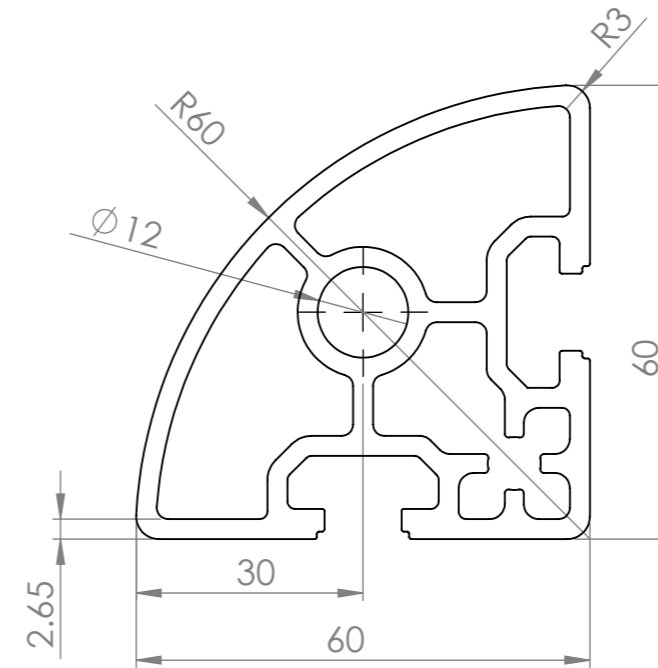
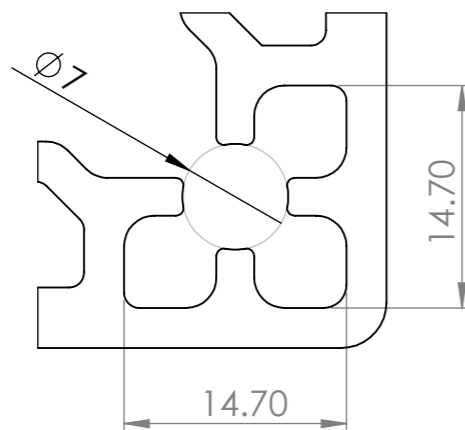
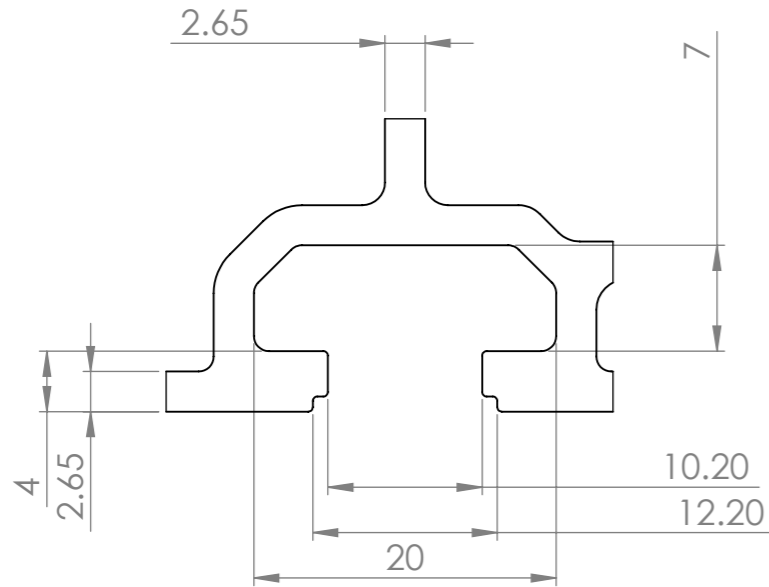
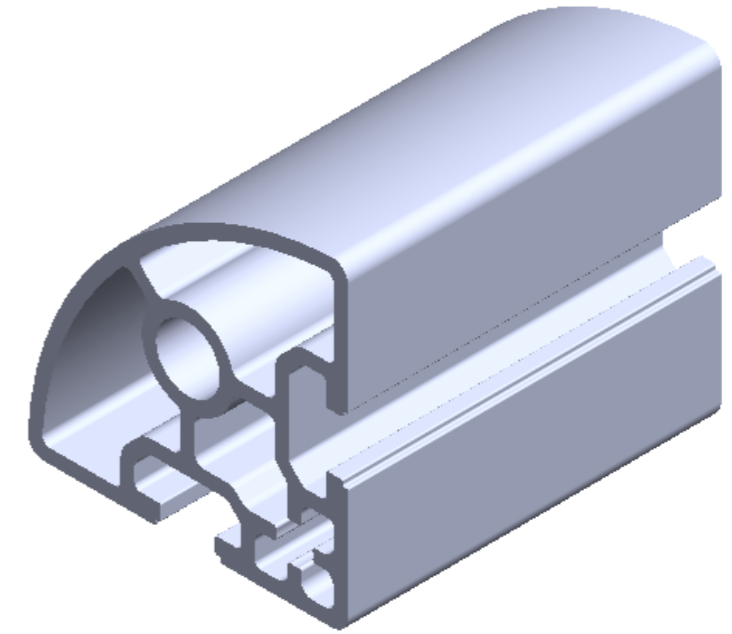
LINEAR MOTION SYSTEM

CLEAN ROOM SYSTEM

Profile Group - 60 Series

Part Code - PG60 6060 R

Description - PG 60 - 60 x 60
2 slots



ALL DIMENSIONS
ARE IN MM



SICA INDIA
www.sica.in

DATE 08-04-2013
DRAWN BY Praful
CHECKED BY

PART NAME PG60 6060 R

MODULAR ASSEMBLY SYSTEM	MODULAR CONVEYOR SYSTEM	ERGONOMIC WORKSTATION AND LEAN PRODUCTION SYSTEM	MACHINE GUARD AND ENCLOUSURE SYSTEM
--------------------------------	--------------------------------	---	--

LINEAR MOTION SYSTEM	CLEAN ROOM SYSTEM
-----------------------------	--------------------------

DRG. NO. 4449	APPROX. WT. 2.535
----------------------	--------------------------

MATERIAL ALUMINIUM ALLOY 6063 T6	REVISION
---	-----------------